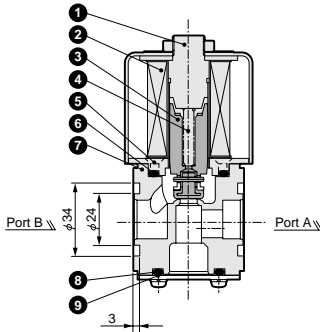


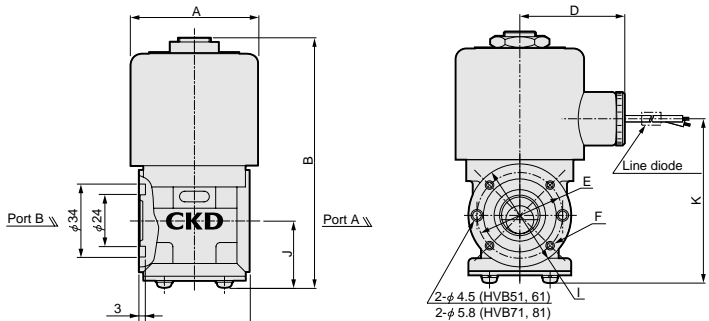
Internal structure and main parts materials



No.	Parts name	Material
1	Core A	SUS405
2	Coil	
3	Plunger assembly	SUS405, FKM
4	Spring	SUS304
5	Core B	SUS403
6	O ring	FKM
7	Body	SCS13
8	O ring	FKM
9	Base cover	SUS304

Dimensions and optional dimensions

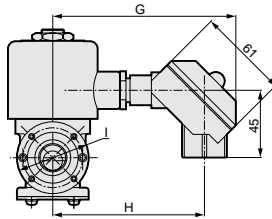
● HVB*1



Note: This can be used as the bolt hole.

● Square terminal box

HVB*1-**-3H/3HF
3K/3KF

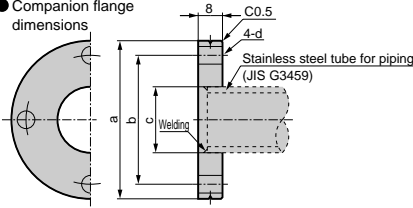


Note: The line diode is enclosed only with the HVB61 and HVB81 AC specifications. Thus, the terminal box cannot be assembled with this series.
Note: The internal structure differs in part for the HVB*1-**-F-3.

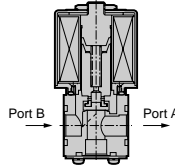
Model no. \ Symbol	A	B	C	D	E	F	G	H	I	J	K
HVB51-12F-3	60	118	52	49	40	4-M4	105	84	48	32	77
HVB51-12F-5											
HVB61-12F-3											
HVB71-15F-3	70	139	55	54	42.4	4-M5	110	89	52	33	100
HVB71-15F-5											
HVB81-15F-3											
HVB81-15F-5											

Dimensions

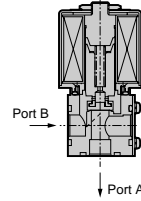
● Companion flange dimensions



● Straight piping



● L-shape piping



Companion flange dimensions

Model no./Symbol	a	b	c	d	Mounting bolt	O ring
HVB51-12F-3	48	40 ± 0.2	17.3 ^{+0.5} ₀	4.8	M4-14	JIS B2401 V-24
HVB51-12F-5						
HVB61-12F-3						
HVB71-15F-3	52	42.4 ± 0.2	21.7 ^{+0.5} ₀	5.8	M5-14	JIS B2401 V-24
HVB71-15F-5						
HVB81-15F-3						
HVB81-15F-5						

The mounting bolts and applicable O-rings are enclosed when the companion flange is ordered.

HNB/G

USB/G

FAB/G

FGB/G

FVB

FWB/G

FHB

FLB

AB

AG

AP/AD

APK/ADK

For dry air

Explosion proof

HVB/HVL

SAB/SVB

NP/NAP/NVP

CHB/G

MXB/G

Other G.P. systems

PD/FAD/PJ

CVE/CVSE

CPE/CPD

Medical analysis

Custom order

Solenoid valve for high vacuum