



Twin rod cylinder Double acting standard type

STR2-M_B Series

● Bore size: ϕ 6, ϕ 10, ϕ 16, ϕ 20, ϕ 25, ϕ 32

JIS symbol



Specifications

Descriptions		STR2-M (metal bush bearing) STR2-B (ball bearing)					
Bore size	mm	ϕ 6	ϕ 10	ϕ 16	ϕ 20	ϕ 25	ϕ 32
Actuation		Double acting					
Working fluid		Compressed air					
Max. working pressure	MPa	0.7					
Min. working pressure	MPa	0.2	0.15	0.1			
Withstanding pressure	MPa	1.05					
Ambient temperature	°C	-10 to 60 (no freezing)					
Port size		M5					Rc1/8
Stroke tolerance	mm	+2.0					
		0					
Adjustable stroke range	mm	0 to -5					
Working piston speed	mm/s	50 to 500					
Revolvable angle tolerance	STR2-M	$\pm 0.4^\circ$	$\pm 0.3^\circ$			$\pm 0.2^\circ$	
	STR2-B	$\pm 0.2^\circ$	$\pm 0.1^\circ$			$\pm 0.3^\circ$	
Piston rod bearing type	STR2-M	Metal bush bearing					
	STR2-B	Ball bearing					
Cushion		Rubber cushion					
Lubrication		Not required (when lubricating, use turbine oil Class 1 ISOVG 32.)					
Allowable energy absorption J	PUSH	0.008	0.061	0.181	0.303	0.68	1.3
	PULL	0.059	0.083	0.083	0.127	0.237	0.311

Stroke length

Bore size	Stroke length (mm)	Max. stroke length (mm)	Min. stroke length (mm)	Min. stroke length with switch (mm)
ϕ 6	10, 20, 30, 40, 50	50	5	10
ϕ 10				
ϕ 16	10, 20, 30, 40, 50, 60, 70, 80, 90, 100	100	5	10
ϕ 20				
ϕ 25				
ϕ 32				

Note 1: For rear piping type

- ϕ 16: 70
- ϕ 20, ϕ 25: 60
- ϕ 32: 50

Note 2: Custom stroke length is available per 1mm increment.

Note that the total length is the same as the next longer standard stroke length.

Switch specifications

- 1 color/2 color indicator

Descriptions	Proximity 2 wire		Proximity 3 wire			Reed 2 wire				
	K2H/K2V	K2YH/K2YV	K3H/K3V	K3PH/K3PV (Custom order)	K3YH/K3YV	K0H/K0V		K5H/K5V		
Applications	Programmable controller		Programmable controller, relay			Programmable controller, relay		Programmable controller, relay (IC circuit (without indicator light), serial connection)		
Output method	-		NPN output	PNP output	NPN output	-				
Power voltage	-		10 to 28 VDC			-				
Load voltage	10 to 30 VDC		30 VDC or less			12 VDC /24 VDC	110 VAC	5/12/24 VDC	110 VAC	
Load current	5 to 20mA (Note 1)		50mA or less			5 to 50mA	7 to 20mA	50mA or less	20mA or less	
Light	LED (ON lighting)	Red/green LED (ON lighting)	LED (ON lighting)	Yellow LED (ON lighting)	Red/green LED (ON lighting)	LED (ON lighting)		-		
Leakage current	1mA or less		10 μA or less			0mA				

Note 1: The maximum load current: above 20mA applies at 25°C. When ambient temperature around a switch is higher than 25°C, the value is lower than 20mA. (5 to 10mA. when 60°C)

- With preventive maintenance output

Descriptions	Proximity 3 wire		Proximity 4 wire		Proximity 3 wire		Proximity 4 wire		
	K2YFH/V		K3YFH/V		K2YMH/V		K3YMH/V		
Applications	Programmable controller		Programmable controller, relay		Programmable controller		Programmable controller, relay		
Output method	NPN output								
Light	Red/green LED (ON lighting)								
	Installation position adjustment	-		Yellow LED (ON lighting)				-	
Output section	Power voltage	-		10 to 28 VDC		-		10 to 28 VDC	
	Load voltage	10 to 30 VDC		30 VDC or less		10 to 30 VDC		30 VDC or less	
	Load current	5 to 20mA		50mA or less		5 to 20mA		50mA or less	
	Leakage current	1mA or less		10 μA or less		1.2mA or less		10 μA or less	
Preventive maintenance output	Load voltage	30 VDC or less							
	Load current	20mA or less		50mA or less		5 to 20mA or less		50mA or less	
	Leakage current	10 μA or less							

Cylinder weight

Unit: g

Bore size	Product weight when stroke length 0mm		Additional weight per S=10mm
	STR2-M	STR2-B	
φ 6	60	64	10
φ 10	140	155	14
φ 16	240	300	20
φ 20	340	405	40
φ 25	580	610	52
φ 32	1300	1150	83

Discrete cylinder switch weight

Unit (g)

Name	Model no.	Lead wire length		
		1m	3m	5m
Cylinder switch	K0	18	52	86
	K2	18	52	86
	K3	18	52	86
	K5	18	52	86

(Example) Product weight STR2-M-6-10-K2H-D

- Product weight when stroke length = 0mm: 60g
- Additional weight when stroke length is 10mm: 10g x 1 = 10g
- Weight of cylinder switch (2 pcs.): 18g x 2 = 36g
- Product weight: 60g + 10g + 36g = 106g

Clean room specifications

(Catalog No. CB-033SA)

- Dust preventive structure for inside the clean room

STR2-B - - **P7***

STR2-B - - **P5***

SCP*2
CMK2
CMA2
SCM
SCG
SCA2
SCS
CKV2
CA/OV2
SSD
CAT
MDC2
MVC
SMD2
MSD*
FC*
STK
ULK*
JSK/M2
JSG
JSC3
USSD
USC
JSB3
LMB
STG
STS/L
LCS
LCG
LCM
LCT
LCY
STR2
UCA2
HCM
HCA
SRL2
SRG
SRM
SRT
MRL2
MRG2
SM-25
CAC3
UCAC
RCC2
MFC
SHC
GLC
Ending

Twin rod cylinder
Combined functions

STR2-M_B Series

How to order

Without switch

STR2 - **M** - **16** - **30** - **F**

With switch

STR2 - **M** - **16** - **30** - **K0H** - **R** - **F**

Model no.

A Bearing method

B Bore size

C Port thread type

D Stroke length
Note 1
■ Custom stroke length

E Switch model no.
Note 2

F Switch quantity

G Option
Note 3
Note 4

⚠ Note on model no. selection

Note 1: Max. stroke length of rear piping type "R"

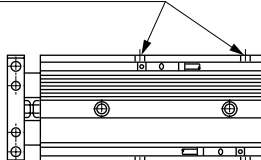
- ϕ 6, 10 : 50 mm stroke
- ϕ 16 : 70 mm stroke
- ϕ 20, 25 : 60 mm stroke
- ϕ 32 : 50 mm stroke length.

Note 2: Reed switch can not be used for STR2-B-6/10.

Note 3: Ball bearing type is copper and PTFE free "P6" specifications by standard type.

Note 4: A piping port position of "O" is as the following.

Standard (blank) piping port



Piping port position 180° change
(Symbol: 0) piping port

<Example of model number>

STR2-M-16-30-K0H-R-F

Model: Twin rod cylinder standard type

- A** Bearing method : Metal bush bearing
- B** Bore size : ϕ 16mm
- C** Port thread type : Rc thread
- D** Stroke length : 30mm
- E** Switch model no. : Reed switch K0H
- F** Switch quantity : One on rod end
- G** Option : Material of end plate: Steel

Symbol	Descriptions			
A Bearing method				
M	Metal bush bearing			
B	Ball bearing			
B Bore size (mm)				
6	ϕ 6			
10	ϕ 10			
16	ϕ 16			
20	ϕ 20			
25	ϕ 25			
32	ϕ 32			
C Port thread type				
Blank	Rc thread			
NN	NPT thread (only ϕ 32) (custom order)			
GN	G thread (only ϕ 32) (custom order)			
D Stroke length (mm)				
Bore size	Stroke length	Custom stroke length		
ϕ 6	5 to 50	By 1 mm increment		
ϕ 10	5 to 50			
ϕ 16	5 to 100			
ϕ 20	5 to 100			
ϕ 25	5 to 100			
ϕ 32	5 to 100			
E Switch model no.				
Axial lead wire	Radial lead wire	Contact	Indicator	Lead wire
K0H*	K0V*	Reed	1 color indicator type	2-wire
K5H*	K5V*		Without indicator light	
K2H*	K2V*	Proximity	1 color indicator type	2-wire
K3H*	K3V*		1 color indicator type (custom order)	3-wire
K3PH*	K3PV*		2 color indicator type	3-wire
K2YH*	K2YV*		2 color indicator type (custom order)	2-wire
K3YH*	K3YV*	Proximity	2 color indicator type (custom order) (w/o indicator light for preventive maintenance output)	3-wire
K2YFH*	K2YFV*		2 color indicator type (custom order) (w/ indicator light for preventive maintenance output)	4-wire
K3YFH*	K3YFV*		2 color indicator type (custom order) (w/ indicator light for preventive maintenance output)	3-wire
K2YMH*	K2YMV*		2 color indicator type (custom order) (w/ indicator light for preventive maintenance output)	4-wire
K3YMH*	K3YMV*			
*Lead wire length				
Blank	1m (standard)			
3	3m (option)			
5	5m (option)			
F Switch quantity				
R	One on rod end			
H	One on head end			
D	Two			
G Option				
F	Material of end plate: Steel			
P6	Copper and PTFE free type			
O	Piping port position 180° change			
R	Rear piping type			

How to order switch discrete

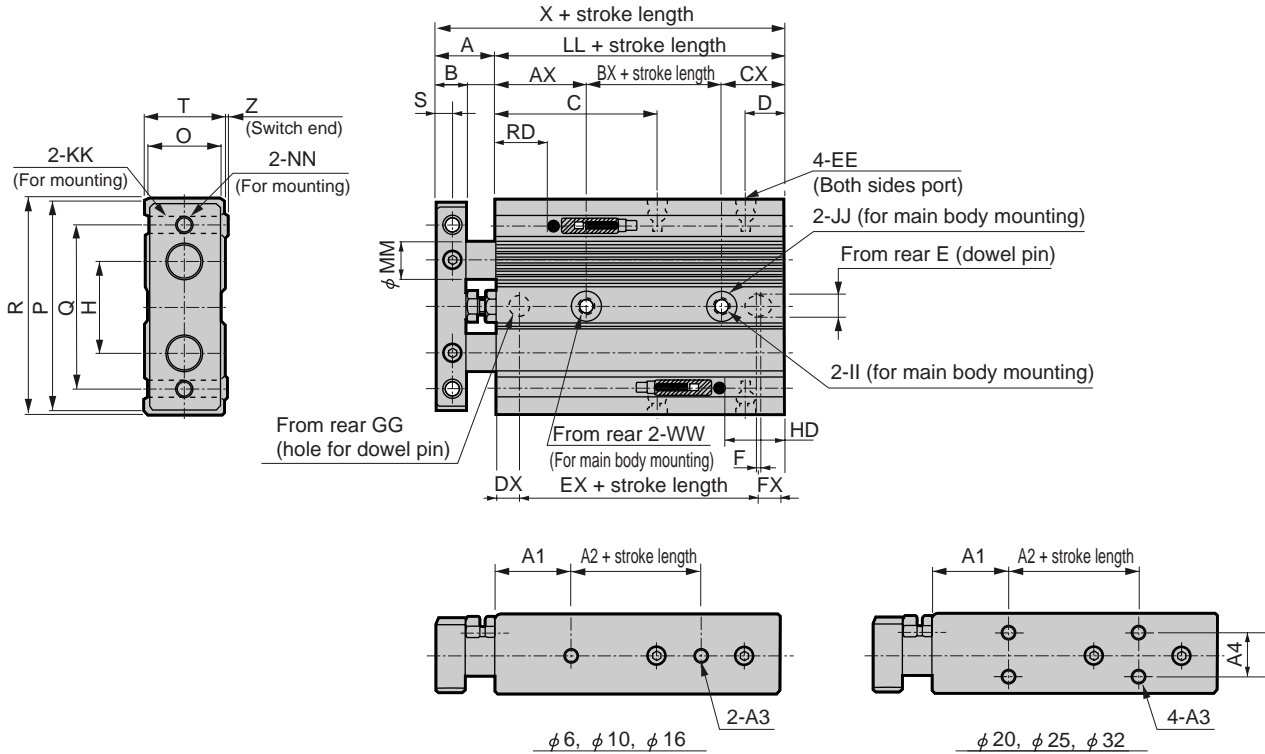
SW - **K0H***

Switch model no.
(Item **E** above)



Dimensions (φ 6 to φ 32)

● Standard type, material of end plate: Steel (F), copper and PTFE free type (P6), piping port position 180° change (O)



Note 1: Note that the HD and RD dimensions at 10 stroke may differ from these dimensions due to the various settings.

Note 2: The total length dimensions for the custom stroke are the same as the longer standard stroke.

Note 3: Refer to page 1910 for 2 color indicator, HD/RD dimensions and projection dimensions of the switch with preventive maintenance output.

Symbol	Basic type, O, F, P6 basic dimensions																		
Bore size (mm)	A	B	C	D	E	EE	F	GG	H	II	JJ	KK	LL	MM	NN	O	P		
φ 6	12	6	24.5	7.5	4 ^{+0.07} / _{+0.02} depth 4	M5	1	4 ^{+0.07} / _{+0.02} depth 4	14	3.4	6.5 spot face depth 3.3	M3 penetrating	44	4	M3 penetrating	11	34		
φ 10	14	6	35	7	4 ^{+0.07} / _{+0.02} depth 4	M5	1	4 ^{+0.07} / _{+0.02} depth 4	20	4.3	8 spot face depth 4.4	M4 penetrating	55	6	M4 penetrating	13	42		
φ 16	16	8	43	9.5	6 ^{+0.07} / _{+0.02} depth 6	M5	1	6 ^{+0.07} / _{+0.02} depth 6	25	4.3	8 spot face depth 4.4	M5 penetrating	66	10	M5 penetrating	19	52		
φ 20	20	10	46	9.5	6 ^{+0.07} / _{+0.02} depth 6	M5	1	6 ^{+0.07} / _{+0.02} depth 6	28	5.2	9.5 spot face depth 5.4	M5 penetrating	75	12	M5 penetrating	24	60		
φ 25	22	12	44	10.5	6 ^{+0.07} / _{+0.02} depth 6	M5	1	6 ^{+0.07} / _{+0.02} depth 6	34	6.3	11 spot face depth 6.5	M6 penetrating	75	14	M6 penetrating	30	70		
φ 32	22	12	56	11	6 ^{+0.07} / _{+0.02} depth 6	Rc1/8	1	6 ^{+0.07} / _{+0.02} depth 6	44	6.3	11 spot face depth 6.5	M6 penetrating	91	16	M6 penetrating	36	94		
Symbol	K0/K5/K2/K3																		
Bore size (mm)	Q	R	S	T	WW	X	AX	BX	CX	DX	EX	FX	Z	A1	A2	A3	A4	HD	RD
φ 6	29	36	3	13	M4 depth 5	56	20	10	14	7	30	7	1.0	15	10	M3 depth 4	-	3.5 Note 1	21 Note 1
φ 10	36	44	3	15	M5 depth 6	69	24	14	17	8	38	9	1.0	15	20	M3 depth 3.5	-	2.5 Note 1	33 Note 1
φ 16	45	58	4	21	M5 depth 6	82	24	26	16	8	50	8	0.5	20	25	M4 depth 4	-	7	39.5
φ 20	50	62	5	27	M6 depth 8	95	24	33	18	9	57	9	0.5	20	30	M4 depth 4	13	10.5	45
φ 25	60	72	6	33	M8 depth 8	97	24	33	18	9	57	9	0.5	20	30	M5 depth 6	18	11.5	43.5
φ 32	75	96	6	38	M8 depth 8	113	24	47	20	9	73	9	0.5	20	40	M5 depth 8	24	15.5	55.5

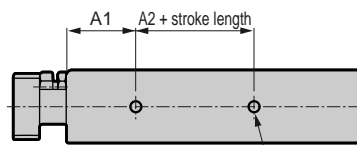
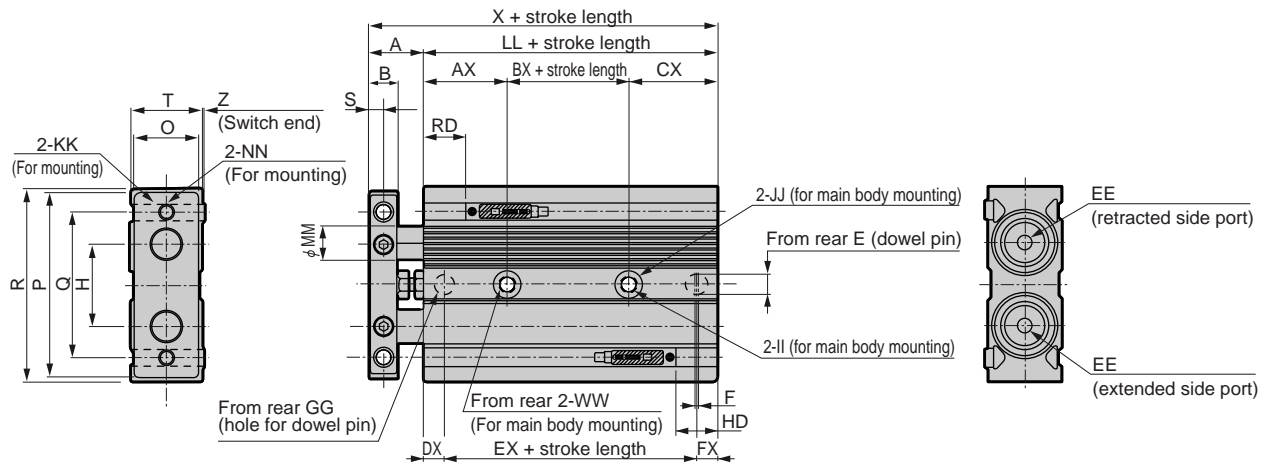
Note 4: STR2-B-6 and 10, reed switch K0/K5 are not available.

Note 5: When the counter bore surface (JJ) is the mounting surface, this cylinder has a step which could cause the cylinder to tilt. In this case, change the port position or use the option with port position changed 180° (O) so that the counter bore surface is not the mounting surface.

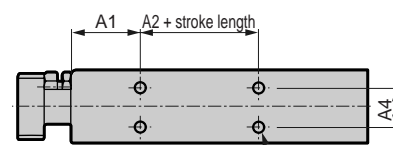
Dimensions (φ6 to φ32)



● Rear piping (R)



φ 6, φ 10, φ 16



φ 20, φ 25, φ 32

Note 1: Note that the HD and RD dimensions at 10 stroke may differ from these dimensions due to the various settings.

Note 2: The total length dimensions for the custom stroke are the same as the longer standard stroke.

Note 3: Refer to page 1910 for 2 color indicator, HD/RD dimensions and projection dimensions of the switch with preventive maintenance output.

Symbol	R basic dimensions															
Bore size (mm)	A	B	E	EE	F	GG	H	II	JJ	KK	LL	MM	NN	O	P	
φ 6	12	6	4 ^{+0.07} / _{+0.02} depth 4	M5	1	4 ^{+0.07} / _{+0.02} depth 4	14	3.4	6.5 spot face depth 3.3	M3 penetrating	54	4	M3 penetrating	11	34	
φ 10	14	6	4 ^{+0.07} / _{+0.02} depth 4	M5	1	4 ^{+0.07} / _{+0.02} depth 4	20	4.3	8 spot face depth 4.4	M4 penetrating	65	6	M4 penetrating	13	42	
φ 16	16	8	6 ^{+0.07} / _{+0.02} depth 6	M5	1	6 ^{+0.07} / _{+0.02} depth 6	25	4.3	8 spot face depth 4.4	M5 penetrating	76	10	M5 penetrating	19	52	
φ 20	20	10	6 ^{+0.07} / _{+0.02} depth 6	M5	1	6 ^{+0.07} / _{+0.02} depth 6	28	5.2	9.5 spot face depth 5.4	M5 penetrating	85	12	M5 penetrating	24	60	
φ 25	22	12	6 ^{+0.07} / _{+0.02} depth 6	M5	1	6 ^{+0.07} / _{+0.02} depth 6	34	6.3	11 spot face depth 6.5	M6 penetrating	85	14	M6 penetrating	30	70	
φ 32	22	12	6 ^{+0.07} / _{+0.02} depth 6	Rc1/8	1	6 ^{+0.07} / _{+0.02} depth 6	44	6.3	11 spot face depth 6.5	M6 penetrating	101	16	M6 penetrating	36	94	

Symbol	K0/K5/K2/K3																		
Bore size (mm)	Q	R	S	T	WW	X	AX	BX	CX	DX	EX	FX	Z	A1	A2	A3	A4	HD	RD
φ 6	29	36	3	13	M4 depth 5	66	20	10	24	7	40	7	1.0	15	10	M3 depth 4	-	13.5	21
φ 10	36	44	3	15	M5 depth 6	79	24	14	27	8	48	9	1.0	15	20	M3 depth 3.5	-	12.5	33
φ 16	45	58	4	21	M5 depth 6	92	24	26	26	8	60	8	0.5	20	25	M4 depth 4	-	17	39.5
φ 20	50	62	5	27	M6 depth 8	105	24	33	28	9	67	9	0.5	20	30	M4 depth 4	13	20.5	45
φ 25	60	72	6	33	M8 depth 8	107	24	33	28	9	67	9	0.5	20	30	M5 depth 6	18	21.5	43.5
φ 32	75	96	6	38	M8 depth 8	123	24	47	30	9	83	9	0.5	20	40	M5 depth 8	24	25.5	55.5

Note 4: STR2-B-6 and 10, reed switch K0/K5 are not available.

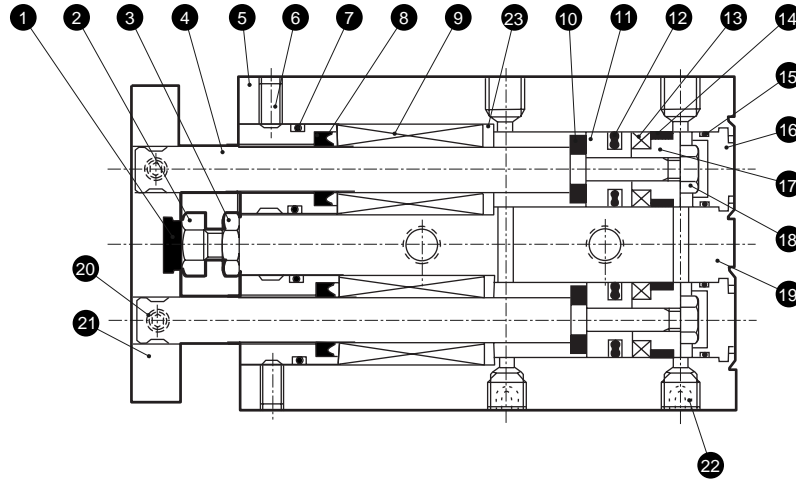
Note 5: When the counter bore surface (JJ) is the mounting surface, this cylinder has a step which could cause the cylinder to tilt. In this case, change the port position or use the option with port position changed 180° (O) so that the counter bore surface is not the mounting surface.

- SCP*2
- CMK2
- CMA2
- SCM
- SCG
- SCA2
- SCS
- CKV2
- CA/OV2
- SSD
- CAT
- MDC2
- MVC
- SMD2
- MSD*
- FC*
- STK
- ULK*
- JSK/M2
- JSG
- JSC3
- USSD
- USC
- JSB3
- LMB
- STG
- STS/L
- LCS
- LCG
- LCM
- LCT
- LCY
- STR2**
- UCA2
- HCM
- HCA
- SRL2
- SRG
- SRM
- SRT
- MRL2
- MRG2
- SM-25
- CAC3
- UCAC
- RCC2
- MFC
- SHC
- GLC
- Ending

Twin rod cylinder
Combined functions

Internal structure and parts list (ball bearing type $\phi 6$, $\phi 10$)

- Standard type
STR2-B
- Material of end plate: Steel
STR2-B-F
- Piping port position 180° change
STR2-B----O



SCP*2
CMK2
CMA2
SCM
SCG
SCA2
SCS
CKV2
CA/OV2
SSD
CAT
MDC2
MVC
SMD2
MSD*
FC*
STK
ULK*
JSK/M2
JSG
JSC3
USSD
USC
JSB3
LMB
STG
STS/L
LCS
LCG
LCM
LCT
LCY
STR2
UCA2
HCM
HCA
SRL2
SRG
SRM
SRT
MRL2
MRG2
SM-25
CAC3
UCAC
RCC2
MFC
SHC
GLC
Ending

No.	Parts name	Material	Remarks	No.	Parts name	Material	Remarks
1	Cushion rubber (H)	Urethane rubber		13	Magnet	Plastic	
2	Hexagon head bolt	Stainless steel		14	Wear ring	Acetar resin	
3	Hexagon nut	Stainless steel		15	O ring	Nitrile rubber	
4	Piston rod	Steel	Industrial chrome plating	16	Cap	Aluminum alloy	Chromate
5	Housing	Stainless steel		17	Spacer	Aluminum alloy	Chromate
6	Hexagon socket head set screw	Stainless steel		18	Hexagon nut	Steel	Galvanizing
7	O ring	Nitrile rubber		19	Cylinder body	Aluminum alloy	Hard alumite
8	Rod packing seal	Nitrile rubber		20	Hexagon socket head set screw	Stainless steel	
9	Bearing			21	End plate Note 1	Aluminum alloy	Alumite
10	Cushion rubber (R)	Urethane rubber		22	Hexagon head hole set screw	Stainless steel	
11	Piston	Aluminum alloy	Chromate	23	Spacer	Aluminum alloy	Chromate
12	Piston packing seal	Nitrile rubber					

Note 1: Steel and treatment galvanizing is used for material of end plate steel.

Repair parts list

STR2-B (standard type), STR2-B-F (material of end plate: steel)

Bore size (mm)	Kit No.	Repair parts number
$\phi 6$	STR2-6K	1 7 8 10 12 14
$\phi 10$	STR2-10K	

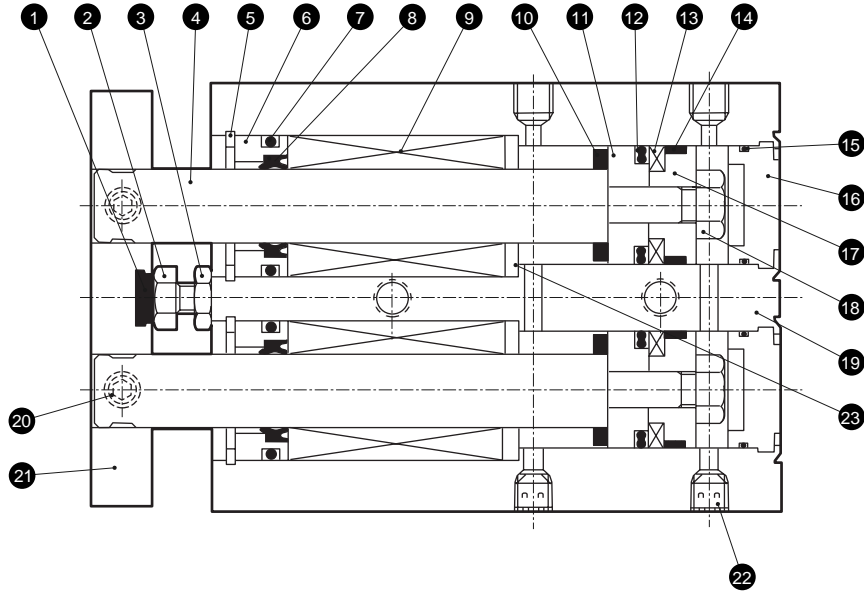
Note: Specify the kit No. when placing an order.

Twin rod cylinder
Combined functions

STR2-B Series

Internal structure and parts list (ball bearing type ϕ 16, ϕ 20, ϕ 25, ϕ 32)

- Standard type
STR2-B
- Material of end plate: Steel
STR2-B-F
- Piping port position 180° change
STR2-B....O



No.	Parts name	Material	Remarks	No.	Parts name	Material	Remarks
1	Cushion rubber (H)	Urethane rubber		13	Magnet	Plastic	
2	Hexagon head bolt	Stainless steel		14	Wear ring	Acetar resin	
3	Hexagon nut	Stainless steel		15	O ring	Nitrile rubber	
4	Piston rod	Steel	Industrial chrome plating	16	Cap	Aluminum alloy	Chromate
5	C ring for hole	Stainless steel		17	Spacer	Aluminum alloy	Chromate
6	Housing	Aluminum alloy	Chromate	18	Hexagon nut	Steel	Galvanizing
7	O ring	Nitrile rubber		19	Cylinder body	Aluminum alloy	Hard alumite
8	Rod packing seal	Nitrile rubber		20	Hexagon socket head set screw	Stainless steel	
9	Bearing			21	End plate Note 1	Aluminum alloy	Alumite
10	Cushion rubber (R)	Urethane rubber		22	Hexagon socket head set screw	Stainless steel	
11	Piston	Aluminum alloy	Chromate	23	Spacer	Aluminum alloy	Chromate
12	Piston packing seal	Nitrile rubber					

Note 1: Steel and treatment galvanizing is used for material of end plate steel.

Repair parts list

STR2-B (standard type), STR2-B-F (material of end plate: steel)

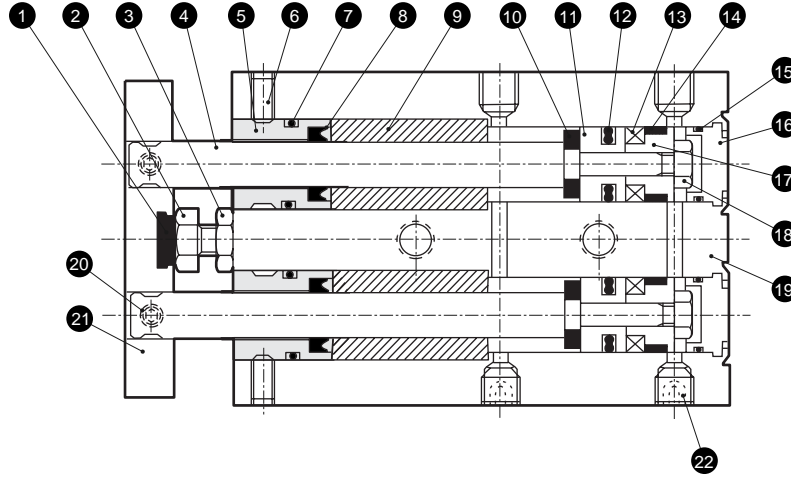
Bore size (mm)	Kit No.	Repair parts number
ϕ 16	STR2-16K	
ϕ 20	STR2-20K	1 7 8
ϕ 25	STR2-25K	10 12 14
ϕ 32	STR2-32K	

STR2-M Series

Internal structure and parts list (metal bush bearing type $\phi 6$, $\phi 10$)

- SCP*2
- CMK2
- CMA2
- SCM
- SCG
- SCA2
- SCS
- CKV2
- CA/OV2
- SSD
- CAT
- MDC2
- MVC
- SMD2
- MSD*
- FC*
- STK
- ULK*
- JSK/M2
- JSG
- JSC3
- USSD
- USC
- JSB3
- LMB
- STG
- STS/L
- LCS
- LCG
- LCM
- LCT
- LCY
- STR2**
- UCA2
- HCM
- HCA
- SRL2
- SRG
- SRM
- SRT
- MRL2
- MRG2
- SM-25
- CAC3
- UCAC
- RCC2
- MFC
- SHC
- GLC
- Ending

- Standard type
STR2-M
- Material of end plate: Steel
STR2-M-F
- Copper and PTFE free type
STR2-M-P6
- Piping port position 180° change
STR2-M-...-O



No.	Parts name	Material	Remarks	No.	Parts name	Material	Remarks
1	Cushion rubber (H)	Urethane rubber		12	Piston packing seal	Nitrile rubber	
2	Hexagon head bolt	Stainless steel		13	Magnet	Plastic	
3	Hexagon nut	Stainless steel		14	Wear ring	Acetar resin	
4	Piston rod	Stainless steel		15	O ring	Nitrile rubber	
5	Housing	Stainless steel		16	Cap	Aluminum alloy	Chromate
6	Hexagon head hole set screw	Stainless steel		17	Spacer	Aluminum alloy	Chromate
7	O ring	Nitrile rubber		18	Hexagon nut	Steel	Galvanizing
8	Rod packing seal	Nitrile rubber		19	Cylinder body	Aluminum alloy	Hard alumite
9	Bush Note 1	Copper alloy		20	Hexagon head hole set screw	Stainless steel	
10	Cushion rubber (R)	Urethane rubber		21	End plate Note 2	Aluminum alloy	Alumite
11	Piston	Aluminum alloy	Chromate	22	Hexagon head hole set screw	Stainless steel	

Note 1: For copper and PTFE free specifications, cast iron system oil impregnated bearing is used.
 Note 2: For material of end plate steel, galvanized steel is used.

Repair parts list

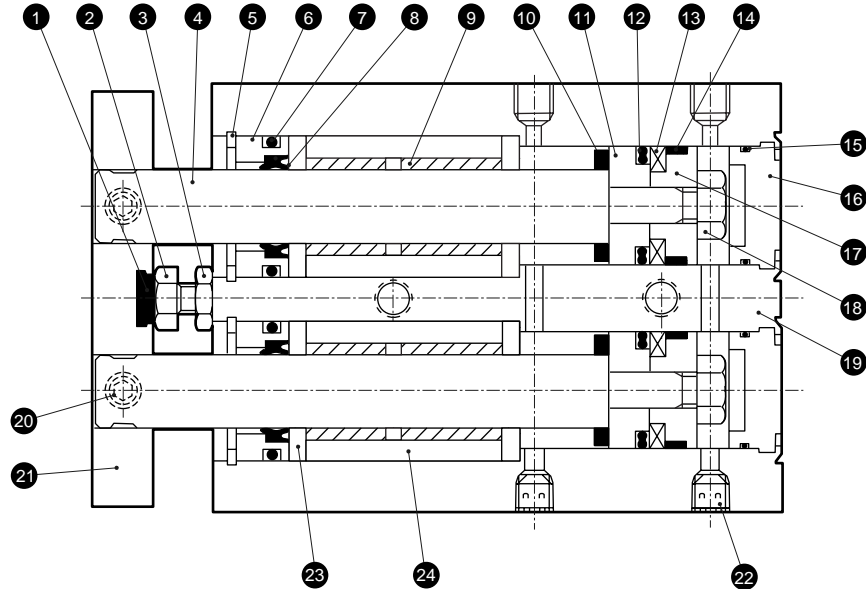
STR2-M (standard type), STR2-M-F (material of end plate: steel), STR2-M-P6 (copper and PTFE free type)

Bore size (mm)	Kit No.	Repair parts number
$\phi 6$	STR2-6K	1 7 8 10 12 14
$\phi 10$	STR2-10K	

Note: Specify the kit No. when placing an order.

Internal structure drawing and parts list (metal bush bearing type $\phi 16$, $\phi 20$, $\phi 25$, $\phi 32$)

- Standard type
STR2-M
- Material of end plate: Steel
STR2-M-F
- Copper and PTFE free type
STR2-M-P6
- Piping port position 180° change
STR2-M...-O



No.	Parts name	Material	Remarks	No.	Parts name	Material	Remarks
1	Cushion rubber (H)	Urethane rubber		13	Magnet	Plastic	
2	Hexagon head bolt	Stainless steel		14	Wear ring	Acetar resin	
3	Hexagon nut	Stainless steel		15	O ring	Nitrile rubber	
4	Piston rod	Stainless steel ($\phi 16$, $\phi 20$) Steel ($\phi 25$, $\phi 32$)	Industrial chrome plating	16	Cap	Aluminum alloy	Chromate
5	C ring for hole	Stainless steel		17	Spacer	Aluminum alloy	Chromate
6	Housing	Aluminum alloy	Chromate	18	Hexagon nut	Steel	Galvanizing
7	O ring	Nitrile rubber		19	Cylinder body	Aluminum alloy	Hard alumite
8	Rod packing seal	Nitrile rubber		20	Hexagon socket head set screw	Stainless steel	
9	Bush Note 1	Copper alloy		21	End plate Note 2	Aluminum alloy	Alumite
10	Cushion rubber (R)	Urethane rubber		22	Hexagon socket head set screw	Stainless steel	
11	Piston	Aluminum alloy	Chromate	23	Spacer	Aluminum alloy	Chromate
12	Piston packing seal	Nitrile rubber		24	Aluminum housing	Aluminum alloy	Chromate

Note 1: For copper and PTFE free specifications, cast iron system oil impregnated bearing is used.

Note 2: For material of end plate steel, galvanized steel is used.

Repair parts list

STR2-M (standard type), STR2-M-F (material of end plate: steel), STR2-M-P6 (copper and PTFE free type)

Bore size (mm)	Kit No.	Repair parts number
$\phi 16$	STR2-16K	1 7 8
$\phi 20$	STR2-20K	
$\phi 25$	STR2-25K	10 12 14
$\phi 32$	STR2-32K	

Note: Specify the kit No. when placing an order.

SCP*2
CMK2
CMA2
SCM
SCG
SCA2
SCS
CKV2
CA/OV2
SSD
CAT
MDC2
MVC
SMD2
MSD*
FC*
STK
ULK*
JSK/M2
JSG
JSC3
USSD
USC
JSB3
LMB
STG
STS/L
LCS
LCG
LCM
LCT
LCY
STR2
UCA2
HCM
HCA
SRL2
SRG
SRM
SRT
MRL2
MRG2
SM-25
CAC3
UCAC
RCC2
MFC
SHC
GLC
Ending

Twin rod cylinder
Combined functions