

Metal free 2 port solenoid valve for chemical liquids

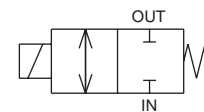


Features

- Solenoid valves most suitable for fluid control in medical analysis equipment.
- As materials for wetted part, FKM, PPS/PSU are used to obtain high corrosion resistance.
- Low-noise structure
- Pressure on both ports allowed
- NC (in energized state) type

RoHS

JIS symbol



Specifications

| Item | MJB3-4TN |
|--------------------------------|--|
| Working fluid | Water, pure water, chemical liquids (which do not corrode materials of wetted part) |
| Working pressure | MPa -0.06 to 0.15 While IN port is under negative pressure, OUT port is open to atmosphere. While OUT port is under negative pressure, IN port is open to atmosphere. |
| Proof pressure | MPa 0.23 (in terms of water pressure) |
| Fluid temperature | °C 0 to 90 (non-freezing) |
| Ambient temperature | °C 0 to 40 (non-freezing) |
| Atmosphere | Not in explosive/corrosive atmosphere |
| Valve seat leakage | cm ³ /min 0 (in terms of water pressure) |
| Port size | Tube connection extended port, ID x OD = ø4 x ø8 |
| Orifice size | mm 3 |
| Cv | 0.2 |
| Mounting orientation | Free |
| Weight | kg 0.15 |
| Electric specifications | |
| Rated voltage | 24 VDC |
| Voltage fluctuation range | ±10% |
| Power consumption | W 5.1 |
| Leakage current | mA 1 or less |
| Thermal class | Class 130 (B) |

How to order

MJB3 - **4TN** - **P** **F** - **24 VDC**

Model no.

A Port size

B Body material

C Sealant

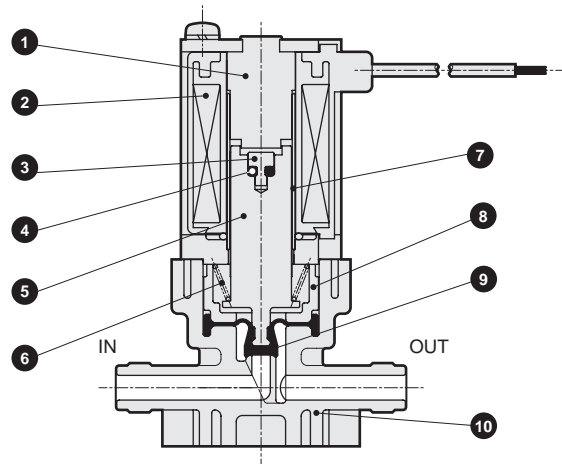
D Voltage

| Symbol | Descriptions |
|------------------------|--------------|
| A Port size | |
| 4TN | Port ID ø4 |
| B Body material | |
| P | PPS |
| S | PSU |
| C Sealant | |
| F | FKM |
| D Voltage | |
| 24 VDC | 24 VDC |

Be sure to read the safety precautions found in "General Purpose Valves (catalog No.CB-03-1SA)" before using.

CKD Corporation
CC-1206A

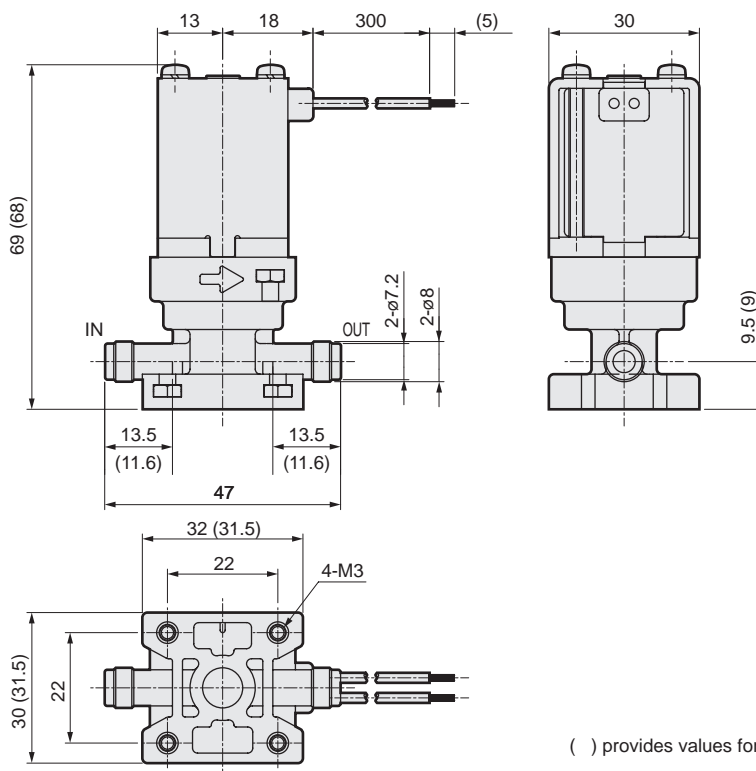
Internal construction and main parts materials



| No. | Parts name | Material | |
|-----|------------------|---------------------|--|
| 1 | Core A | SUM | Steel |
| 2 | Coil assembly | B class molded coil | |
| 3 | Rod | PPS | Polyphenylene sulfide |
| 4 | O-ring | FKM | Fluoro rubber |
| 5 | Plunger | SUS405 | Stainless steel |
| 6 | Spring | SUS304 | Stainless steel |
| 7 | Guide pipe | SUS304 | Stainless steel |
| 8 | Diaphragm holder | PPS | Polyphenylene sulfide |
| 9 | Diaphragm | FKM | Fluoro rubber |
| 10 | Body | PPS (PSU) | Polyphenylene sulfide (polysulfone) |

() provides options.

Outer dimensions



() provides values for the body material of PSU.

Safety precautions

⚠ Cautions

- *1: Check compatibility between the material of each components and the working fluid. When using sodium hypochlorite (soda) with an effective chlorine concentration more than 0.1%, please consult CKD.
For the effective chlorine concentration of 0.1% or less, advance functional tests should be conducted according to the individual use conditions.
- *2: Foreign matter inside the pipe may cause malfunction and valve seat leakage. Always flush the piping before installing valves.
- *3: Do not use for hydrochloric acid, hydrofluoric acid, or nitric acid.
- *4: Do not apply excessive force on the joint part when connecting or disconnecting the tube.
- *5: Recommended tube
Material: silicone rubber, size: inner diameter × outer diameter = $\phi 5 \times \phi 11$

If the goods and their replicas, or the technology and software in this catalog are to be exported, laws require the exporter. To make sure they will never be used for the development or the manufacture of weapons for mass destruction.

CKD Corporation

<Website>
<http://www.ckd.co.jp/>

| | | | |
|------------------------------------|--|------------------|------------------|
| Head Office · Plant | 2-250, Uji, Komaki, Aichi 485-8551 | TEL(0568)77-1111 | FAX(0568)77-1123 |
| Sales And Marketing Div. | 2-250, Uji, Komaki, Aichi 485-8551 | TEL(0568)74-1303 | FAX(0568)77-3410 |
| Overseas Sales Administration dpt. | 2-250, Uji, Komaki, Aichi 485-8551 | TEL(0568)77-1338 | FAX(0568)77-3461 |
| Tokyo Branch Office | 4F, Bunkahousou Media Plus, 1-31-1, Hamamatsu-cho, Minato-ku, Tokyo 105-0013 | TEL(03)5402-3620 | FAX(03)5402-0120 |
| Nagoya Branch Office | 2-250, Uji, Komaki, Aichi 485-8551 | TEL(0568)74-1356 | FAX(0568)77-3317 |
| Osaka Branch Office | 1-3-20, Tosabori, Nishi-ku, Osaka 550-0001 | TEL(06)6459-5770 | FAX(06)6446-1945 |