



Rotary Joint

RJF Series

- Port size: M5, Rc1/8

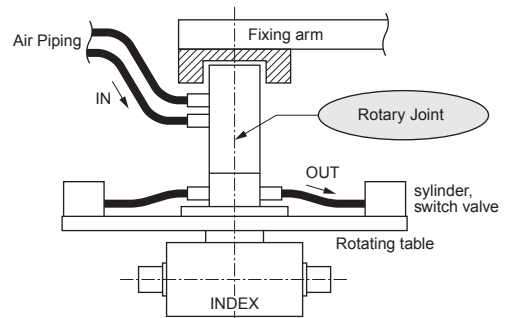


Features

- High rigidity and low sliding resistance achieved with built-in bearing
- Ample lineup includes 4, 6, 8, 12 or 16 circuits
- Space saving type is also available for 12 and 16 circuits
- M5 and Rc1/8 port sizes available (4, 6, 8 circuits)

Applications

This joint supplies compressed air to the air cylinder for rotating members such as an indexing table, rotary table or rotary drum, and for air blowing or changeover valves.

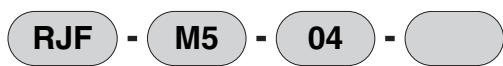


Specifications

Descriptions	RJF-M5-04	RJF-6A-04	RJF-M5-06	RJF-6A-06	RJF-M5-08	RJF-6A-08	RJF-M5-12	RJF-M5-16	RJF-M5-12-S	RJF-M5-16-S
Working fluid	Compressed air									
Working pressure range	-100kPa (Note 1) to 0.7MPa									
Working temperature range	5 to 60									
Number of circuits	4		6		8		12	16	12	16
Port size	M5	Rc 1/8	M5	Rc 1/8	M5	Rc 1/8	M5	M5	M5	M5
Tolerable revolutions (Note 2)	350	240	240	170	200	140	175	155	100	90
Rotation resistance	0.05	0.07	0.12	0.17	0.2	0.4	0.85	1.5	0.85	1.3
Air port minimum sectional-area	4.9	12.5	4.9	12.5	4.9	12.5	4.9	4.9	4.9	4.9
Product weight	0.11	0.28	0.16	0.50	0.38	0.90	0.70	1.30	0.93	1.23

Note 1: The vacuum cannot be held.
Note 2: Revolutions per minute.

How to order



Model no.

A Port size

B Number of circuits

C Shape

Symbol	Description
A Port size	
M5	M5
6A Note 1	Rc 1/8
B Number of circuits	
04	4 circuits
06	6 circuits
08	8 circuits
12	12 circuits
16	16 circuits
C Shape	
Blank	Basic type
S Note 2	Space saving type

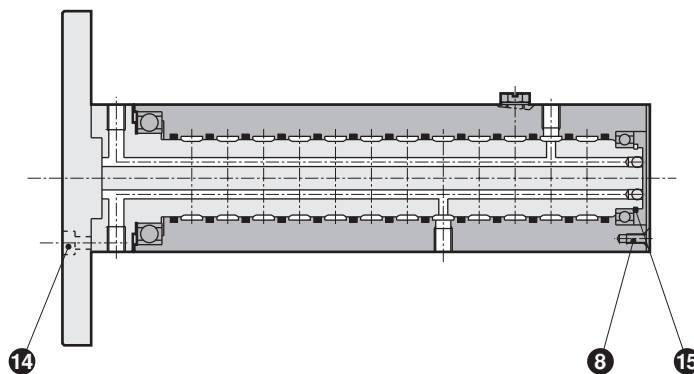
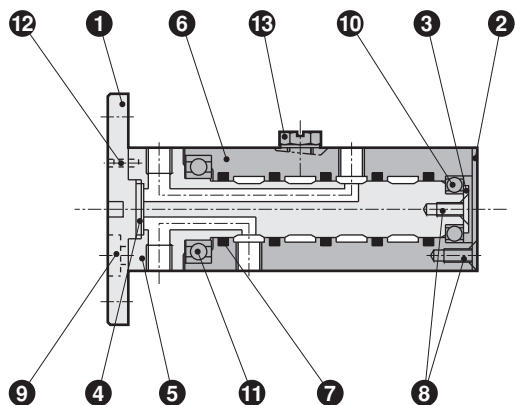
Note 1: Supported with number of circuits 04, 06 and 08.

Note 2: Supported with number of circuits 12 and 16.

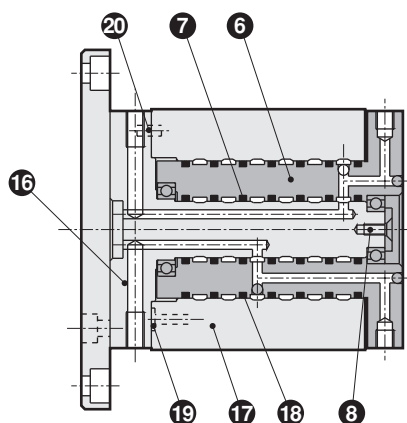
Internal structure and parts list

- RJF-M5-04
- 06
- 08
- 6A-04
- 06
- 08

- RJF-M5-12
- 16



- RJF-M5-12-S
- 16-S



Parts list

No.	Parts name	Material	No.	Parts name	Material
1	Mounting flange	Aluminum alloy	11	Single row deep groove ball bearing	Bearing steel
2	Fixed side body cover	Stainless steel	12	Parallel pin	Bearing steel
3	Bearing retainer	Stainless steel	13	Plug	Brass, Stainless steel
4	Gasket	Nitrile rubber	14	Hexagon socket bolt	Stainless steel
5	Rotation side body	Aluminum alloy	15	C type snap ring	Stainless steel
6	Fixed side body	Aluminum alloy	16	Rotation side body 1	Aluminum alloy
7	Packing seal	Nitrile rubber	17	Rotation side body 2	Aluminum alloy
8	Small cross headed pan screw	Stainless steel	18	Packing seal	Nitrile rubber
9	Small truss screw	Stainless steel	19	Gasket	Nitrile rubber
10	Single row deep groove ball bearing	Bearing steel	20	Parallel pin	Bearing steel

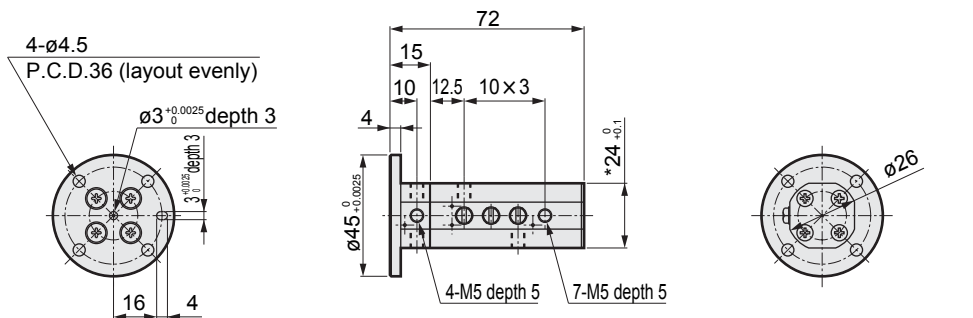
Refrigerating type dryer
Desiccant type dryer
High polymer membrane type dryer
Air filter
Auto. drain / others
F.R.L. (Module unit)
F.R.L. (Separate)
Compact F.R.
Precise regulator
F.R.L. (Related products)
Clean F.R.
Electro pneumatic regulator
Air booster
Speed control valve
Silencer
Check valve / others
Joint / tube
Vacuum filter
Vacuum regulator
Suction plate
Magnetic spring buffer
Mechanical pressure SW
Electronic pressure SW
Contact / close contact cont. SW
Air sensor
Pressure SW for coolant
Small flow sensor
Small flow controller
Flow sensor for air
Flow sensor for water
Total air system
Total air system (Gamma)
Ending

Rotary Joint / tube

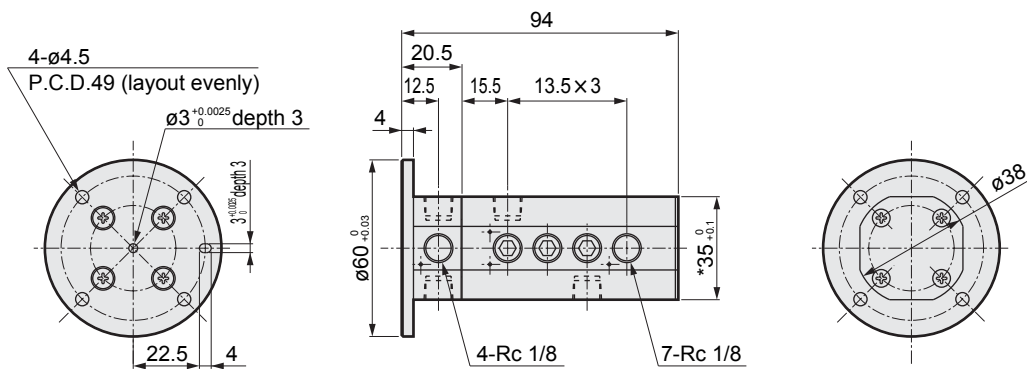
Dimensions (basic type)

Refrigerating type dryer
Desiccant type dryer
High polymer membrane type dryer
Air filter
Auto. drain / others
F.R.L. (Module unit)
F.R.L. (Separate)
Compact F.R.
Precise regulator
F.R.L. (Related products)
Clean F.R.
Electro pneumatic regulator
Air booster
Speed control valve
Silencer
Check valve / others
Joint / tube
Vacuum filter
Vacuum regulator
Suction plate
Magnetic spring buffer
Mechanical pressure SW
Electronic pressure SW
Contact / close contact cont. SW
Air sensor
Pressure SW for coolant
Small flow sensor
Small flow controller
Flow sensor for air
Flow sensor for water
Total air system
Total air system (Gamma)
Ending

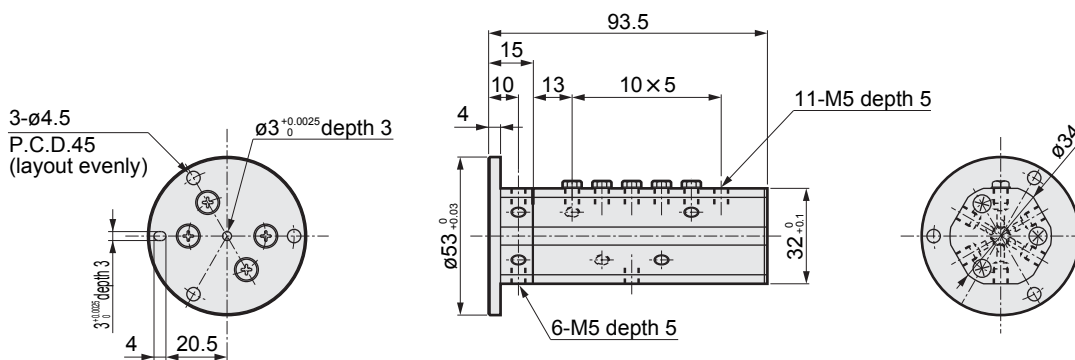
● RJF-M5-04



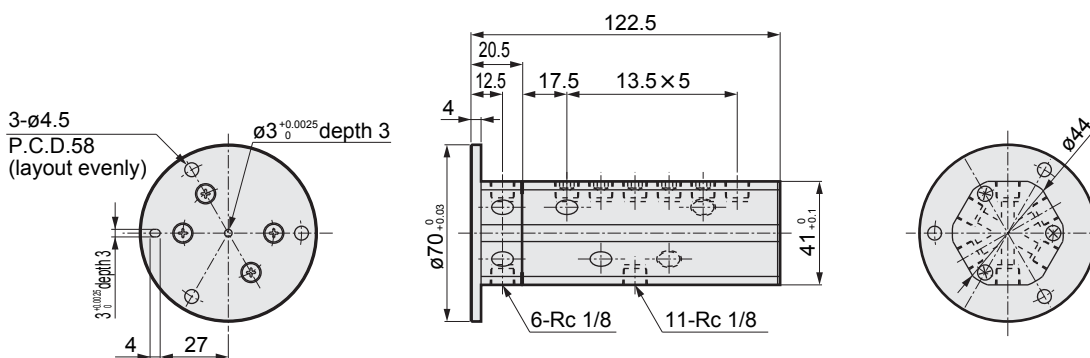
● RJF-6A-04



● RJF-M5-06

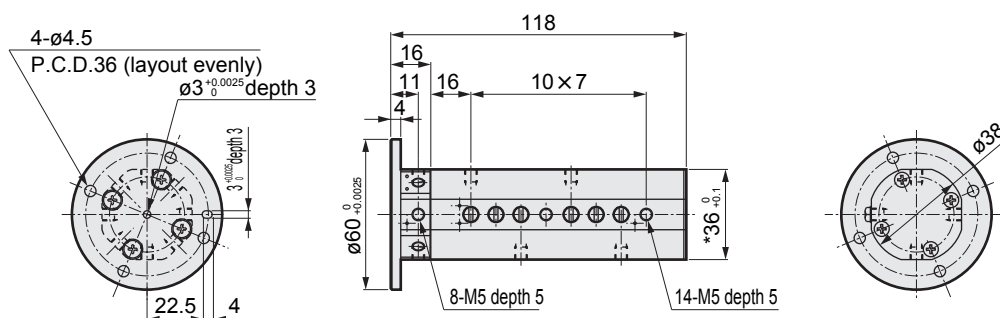


● RJF-6A-06

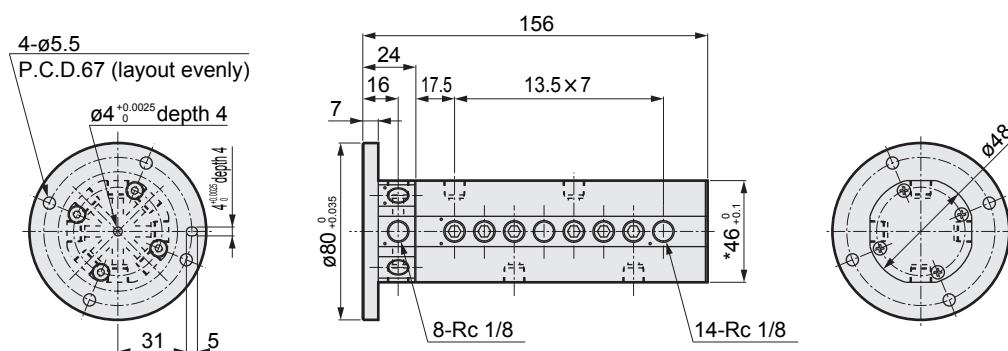


Dimensions (basic type)

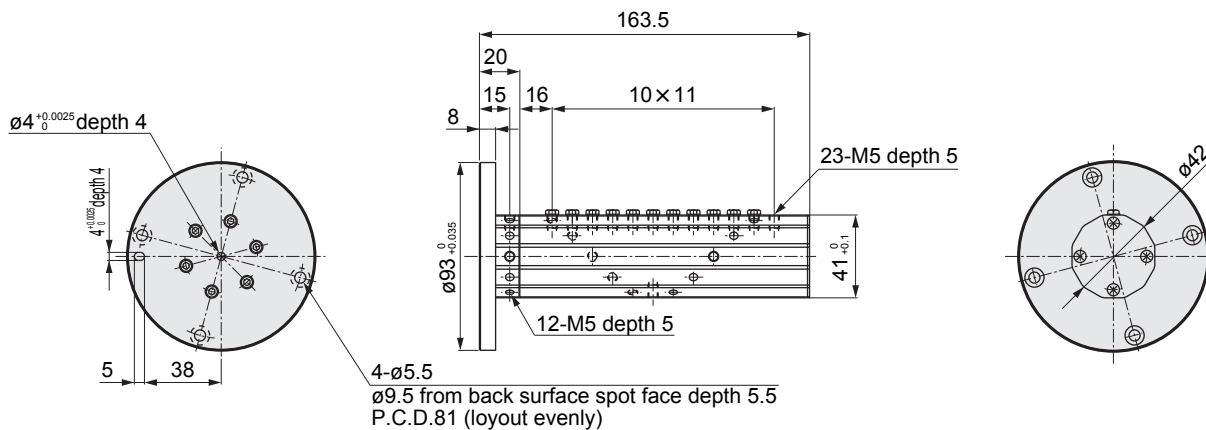
● RJF-M5-08



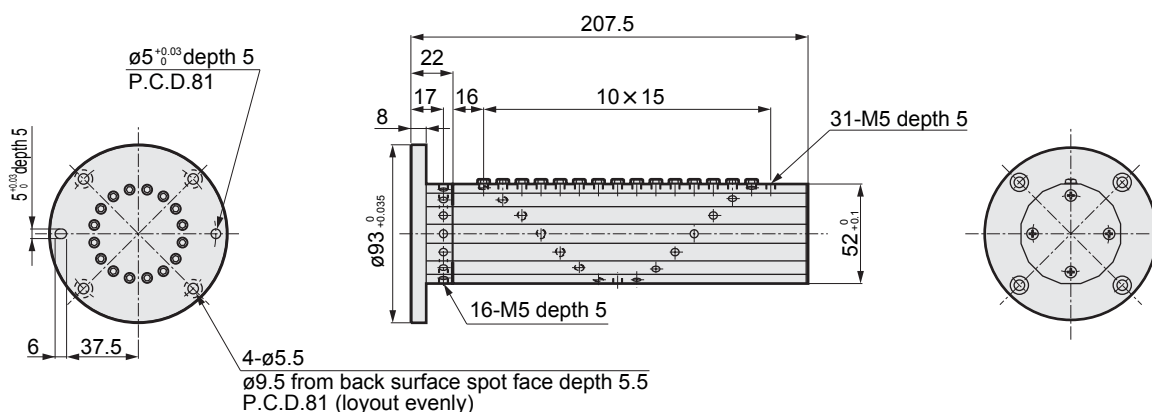
● RJF-6A-08



● RJF-M5-12



● RJF-M5-16



Refrigerating type dryer
Desiccant type dryer
High polymer membrane type dryer
Air filter
Auto. drain / others
F.R.L. (Module unit)
F.R.L. (Separate)
Compact F.R.
Precise regulator
F.R.L. (Related products)
Clean F.R.
Electro pneumatic regulator
Air booster
Speed control valve
Silencer
Check valve / others
Joint / tube
Vacuum filter
Vacuum regulator
Suction plate
Magnetic spring buffer
Mechanical pressure SW
Electronic pressure SW
Contact / close contact cont. SW
Air sensor
Pressure SW for coolant
Small flow sensor
Small flow controller
Flow sensor for air
Flow sensor for water
Total air system
Total air system (Gamma)

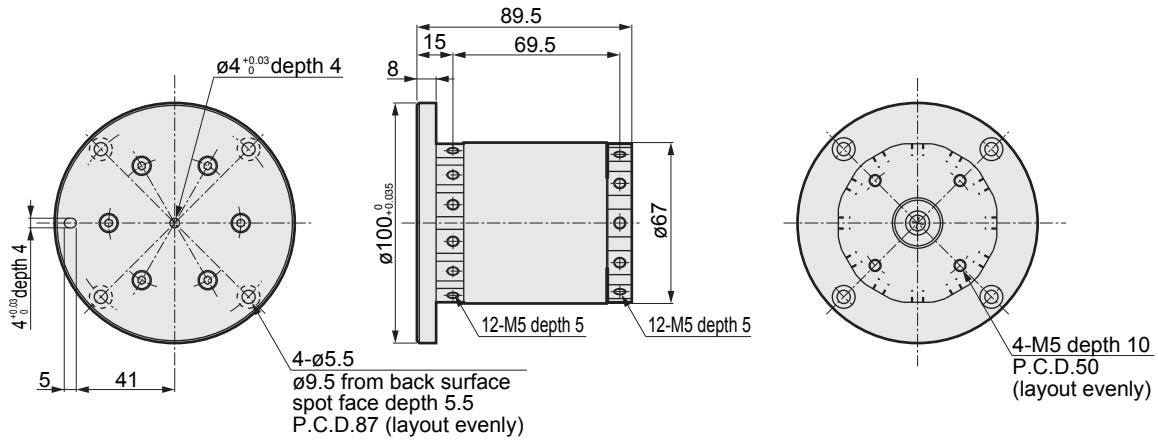
Ending

Rotary Joint
Joint / tube

Dimensions (space saving type)

Refrigerating type dryer
Desiccant type dryer
High polymer membrane type dryer
Air filter
Auto. drain / others
F.R.L. (Module unit)
F.R.L. (Separate)
Compact F.R.
Precise regulator
F.R.L. (Related products)
Clean F.R.
Electro pneumatic regulator
Air booster
Speed control valve
Silencer
Check valve / others
Joint / tube
Vacuum filter
Vacuum regulator
Suction plate
Magnetic spring buffer
Mechanical pressure SW
Electronic pressure SW
Contact / close contact cont. SW
Air sensor
Pressure SW for coolant
Small flow sensor
Small flow controller
Flow sensor for air
Flow sensor for water
Total air system
Total air system (Gamma)
Ending

● RJF-M5-12-S



● RJF-M5-16-S

