
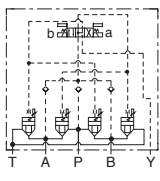
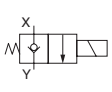
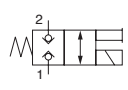


# Poppet Type Directional Valves

Valve Type	Graphic Symbols	Max. Operating Pressure MPa (PSI)	Maximum Flow		Page							
			U. S. GPM	L/min								
			.5	1	5	10	50	100	200	500	1000	
Poppet Type Solenoid Operated Directional Valves		31.5 (4570)	DSLHG-01		453							
Multi Purpose Control Valves		25 (3630)	DSLHG-04		459							
			DSLHG-06									
			DSLHG-10									
Solenoid Operated Poppet Type Two-Way Valves		21 (3050)	CDSC-01		480							
		14 (2030)	CDSC-03									
			CDST-03※									
Shut-off Type Solenoid Operated Directional Valves		25 (3630)	DSPC-01		489							
			DSPG-01									
			DSPC-03									
			DSPG-03									

**■ Mounting Surface**

Mounting surfacedimensions conform to ISO standard discribed in below table.

Name	Model Number	ISO Code of Mounting Surface
Shut-off Type Solenoid Operated Directional Valves	DSPG-01	ISO 4401-AB-03-4-A
	DSPG-03	ISO 4401-AC-05-4-A
	DSPC-01	ISO 7789 20-01-0-93
	DSPC-03	ISO 7789 27-01-0-93
Multi Purpose Control Cavles	DSLHG-04	ISO 4401-AD-07-4-A
	DSLHG-06	ISO 4401-AE-08-4-A
	DSLHG-10	ISO 4401-AF-10-4-A

**Interchangeability in Installation between Current and New Design**

Model change has been made on the following products.

The difference between current and new design has been described on the paragraph of “Interchangeability in Installation between Current and New Design”. Refer to relevant pages on each series.

Name	Model Numbers		Mtg. Interchangeability	Page	Main changes
	Current	New			
Multi Purpose Control Valves	DSLHG-04-*-*-12* DSLHG-06-*-*-12* DSLHG-10-*-*-12*	DSLHG-04-*-*-13* DSLHG-06-*-*-13* DSLHG-10-*-*-13*	Yes	—	Pilot valve (DSG-01) changed to design.
Solenoid Operated Poppet Type Two-Way Valves	CDS*-03*-C-*-20*	CDS*-03*-C-*-21*	Yes	488	The change of solenoid ratings.
Shut-off Type Solenoid Operated Directional Valves	DSP*-01-C-*-10*	DSP*-01-C-*-20*	Yes	—	The change of solenoid.

**Solenoid**

**■ Solenoid connector (DIN connector)**

The solenoid connector is in accordance with the international standard ISO 4400 (Fluidpower System and components-Three-Pin electrical plug connectors-Characteristics and requirements.).

**■ AC Solenoid**

50-60 Hz common service solenoids do not require re-wiring when the applied frequency is changed.

**■ DC Solenoid (K-series Solenoid)**

K-series DC Solenoid which has a reputation for excellent DC control is employed.

1. The spark between the relay contacts has been eliminated and therefore the valve can be operated by miniature relays.
2. The surge voltage is approximately 10 % of that normally experienced.
3. Time lag on de-exercitation is reduced by approximately 50 %.

**■ R Type Models with Current Rectifier and DC Solenoid**

Specially designed DC solenoids and receptacle (or connector) containing AC-DC rectifier and transient peak suppressor are provided. Connection to be made to AC power source as with conventional AC solenoid. Remarkably high reliability and long life and other advantages including quiet valve operation. No overheating of coil due to the spool sticking and protection against transient voltage peaks are assured.

**■ Insulation Class of Solenoid**

Model Numbers	Insulation Class
DSLG-01	Class H
DSLHG-04/06/10	
CDSC-01	
CDS*-03* DSP*-01/03	

## ■ Poppet Type Directional Valves

These are Solenoid Operated Directional Valves of No Leak Type developed with the aim of responding the demand of the age including energy saving. Because these valves are of no leak type they allow the low viscosity hydraulic fluids to be used as well as the circuit construction which cannot be used by the conventional spool type directional valves because of too much internal leak of pressure oil. The use of the low viscosity hydraulic fluids reduces the pressure loss which can arise from the passage resistance of the hydraulic fluids, leading to the system energy saving.

## ■ Poppet Type Solenoid Operated Directional Valves

### ● High Response High Reliability

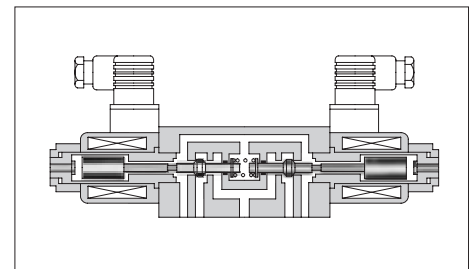
Because these valves are of poppet type, there is no overlap, high response can be achieved. At the same time, hydraulic lock is eliminated.

### ● No Leak

Sheet type seal has been adopted and internal leak is greatly reduced.

### ● ISO Comformant Mounting Surface

Because the mounting surface conforms to ISO 4401-AB-03-4-A, there is an interchangeability with the conventional valves. This makes it possible to use these valves in combination with 01 Series Modular Valves.



## ■ Specifications

Model Numbers	Max. Flow	Max. Operating Pressure	Max. T-Line Back Pressure	Max. Changeover Frequency	Internal leakage	Approx. Mass	Graphic Symbols
	L/min (U.S.GPM)	MPa (PSI)	MPa (PSI)	min <sup>-1</sup> {Cycles/Min}			
DSL-G-01-3-C-*N-11	16 (4.2)	31.5 (4570)	16 (2320)	240	Or Less 0.5 <sup>★1</sup> (.03)	1.9 (4.2)	
DSL-G-01-3-O-*N-11							
DSL-G-01-4-O-*N-11					Or Less 1 <sup>★2</sup> (.06)	3.7 (8.2)	

★1. This is the leakage towards "T" port in A port block at "P" port pressure 14 MPa (2030 PSI).

★2. This is the leakage towards "T" port in A•B port block at "P" port pressure 14 MPa (2030 PSI).

## ■ Solenoid Ratings

Electric Source	Coil Type	Frequency (Hz)	Voltage (V)		Current & Power at Rated Voltage	
			Source Rating	Serviceable Range	Holding (A)	Power (W)
DC (K Series)	D12	—	12	10.8 - 13.2	2.45	29
	D24	—	24	21.6 - 26.4	1.23	
AC→DC Rectified	R100	50/60	100	90 - 110	0.33	29
	R200	50/60	200	180 - 220	0.16	

**Model Number Designation**

F-	DSLGL	-01	-4	-O	-D24	-N	-11	*
Special Seals	Series Number	Valve Size	Number of Port	Function	Coil Type	Type of Electrical Conduit Connection	Design Number	Design Standards
<b>F:</b> Special Seals for Phosphate Ester Type Fluids (Omit if not required)	<b>DSLGL:</b> Poppet Type Solenoid Operated Directional Valve (Sub-plate Mtg.)	<b>01</b>	<b>3:</b> 3 Port	<b>O:</b> Normally Open <b>C:</b> Normally Closed	DC <b>D12, D24</b>	<b>N:</b> Plug-in Connector	<b>11</b>	Refer to ★
			<b>4:</b> 4 Port	<b>O:</b> Normally Open	AC→DC <b>R100</b> <b>R200</b>			

★ Design Standards: None ..... Japanese Standard "JIS" and European Design Standard 90 ..... N. American Design Standard

**Sub-plate**

Piping Size	Japanese Standard "JIS"		European Design Std.		N. American Design Std.		Approx. Mass kg (lbs.)
	Sub-plate Model No.	Thread Size	Sub-plate Model No.	Thread Size	Sub-plate Model No.	Thread Size	
1/8	DSGM-01-31	Rc 1/8	DSGM-01-3180	1/8 BSP.F	DSGM-01-3190	1/8 NPT	0.8 (1.8)
1/4	DSGM-01X-31	Rc 1/4	DSGM-01X-3180	1/4 BSP.F	DSGM-01X-3190	1/4 NPT	0.8 (1.8)
3/8	DSGM-01Y-31	Rc 3/8	—	—	DSGM-01Y-3190	3/8 NPT	0.8 (1.8)

● Sub-plates are available. Specify the sub-plate model number from the table above. When sub-plates are not used, the mounting surface should have a good machined finish.

**Mounting Bolts**

Four socket head cap screws in the table below are included.

Descriptions	Socket Head Cap Screw (4 pcs.)	Tightening Torque
Japanese Standard "JIS" European Design Standard	M5 × 45 Lg.	5-7 Nm (44-62 in. lbs.) [Applicable to working pressure more than 25 MPa (3630 PSI) : 6-7 Nm (53-62 in. lbs.)]
N. American Design Standard	No. 10-24 UNC × 1-3/4 Lg.	

**Instructions**

● **Mounting**

No mounting restrictions for any models.

● **Solenoid Shifting**

On double solenoid valves do not energise both at the same time.

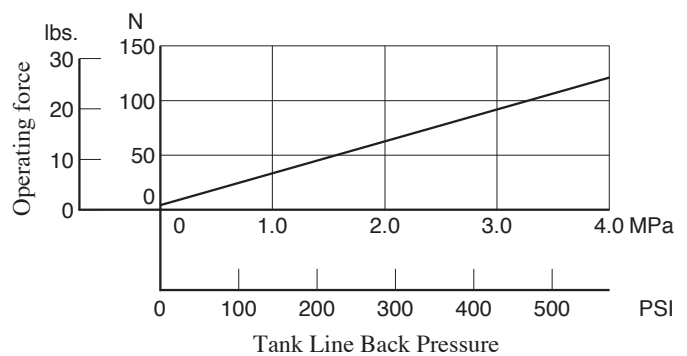
● **Valve Tank Port**

Avoid connecting the valve tank port to a line with possible surge pressure.

● **Operating Force by Manual Actuator**

Take care as the operating force by the manual actuator increases in proportion to the tank line back pressure. (See the graph right.)

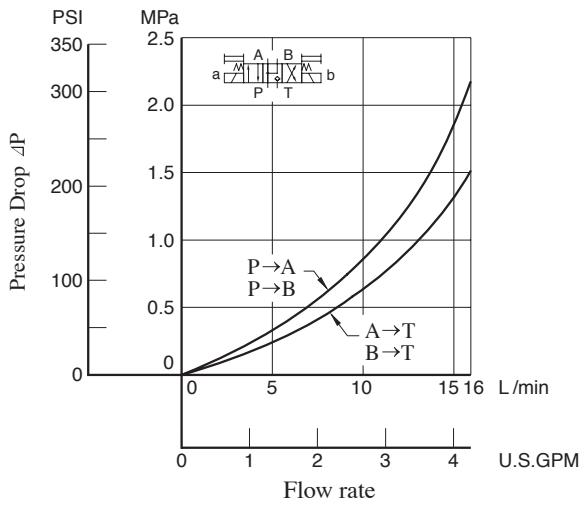
**Operating Force by Manual Actuator**



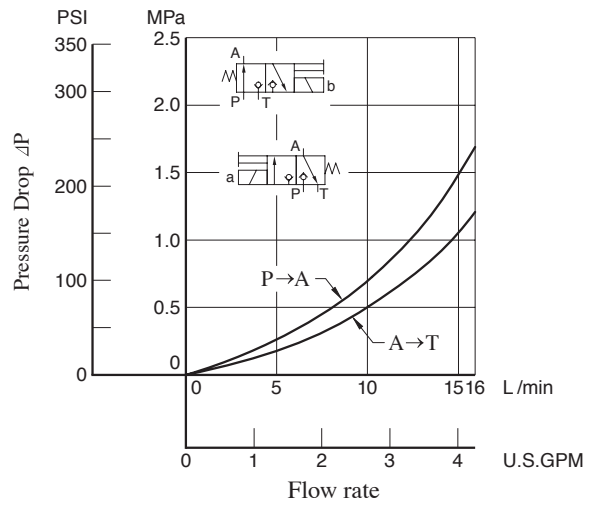
## Pressure Drop

Hydraulic Fluid: Viscosity 35 mm<sup>2</sup>/s (164 SSU), Specific Gravity 0.850

### 4 Port Valve



### 3 Port Valve



- For any other viscosity, multiply the factors in the table below.

Viscosity	mm <sup>2</sup> /s	15	20	30	40	50	60	70	80	90	100
	SSU		77	98	141	186	232	278	324	371	417
Factor		0.81	0.87	0.96	1.03	1.09	1.14	1.19	1.23	1.27	1.30

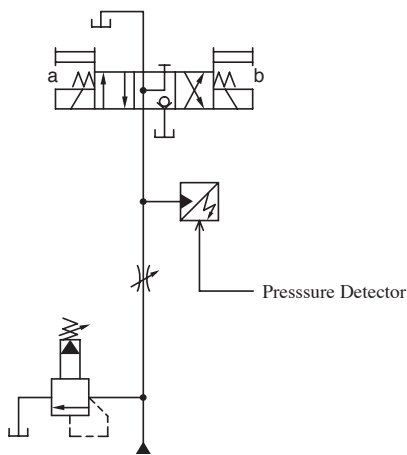
- For any other specific gravity (G'), the pressure drop (ΔP') may be obtained from the formula below.

$$\Delta P' = \Delta P (G'/0.850)$$

## Changeover Time

Changeover time varies according to hydraulic circuit of the model actually used and conditions. An example of measurement is given in the figure below.

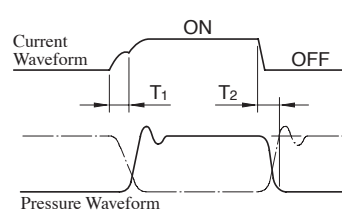
### Test Circuit and Conditions



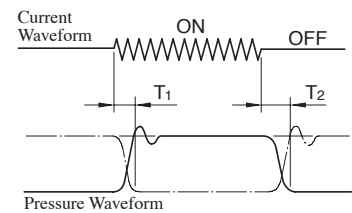
Pressure: 21 MPa (3050 PSI)  
Flow Rate: 16 L/min (4.2 U.S.GPM)  
Voltage: Rated voltage

### Result of Measurement

#### (DC Solenoid)



#### (AC→DC Rectified)



Note: Alternate long and short dash lines in the pressure waveform figures indicate the waveforms for Normally Closed Type 3 Port Valves.

Solenoid Type	Model Numbers	Time (ms)		Remarks
		T <sub>1</sub>	T <sub>2</sub>	
DC	DSL-G-01-4-O-D*	55	30	4 port valve, normally open
	DSL-G-01-3-O-D*	55	30	3 port valve, normally open
	DSL-G-01-3-C-D*	70	25	3 port valve, normally closed
AC→DC Rectified	DSL-G-01-4-O-R*	55	150	4 port valve, normally open
	DSL-G-01-3-O-R*	55	150	3 port valve, normally open
	DSL-G-01-3-C-R*	70	150	3 port valve, normally closed

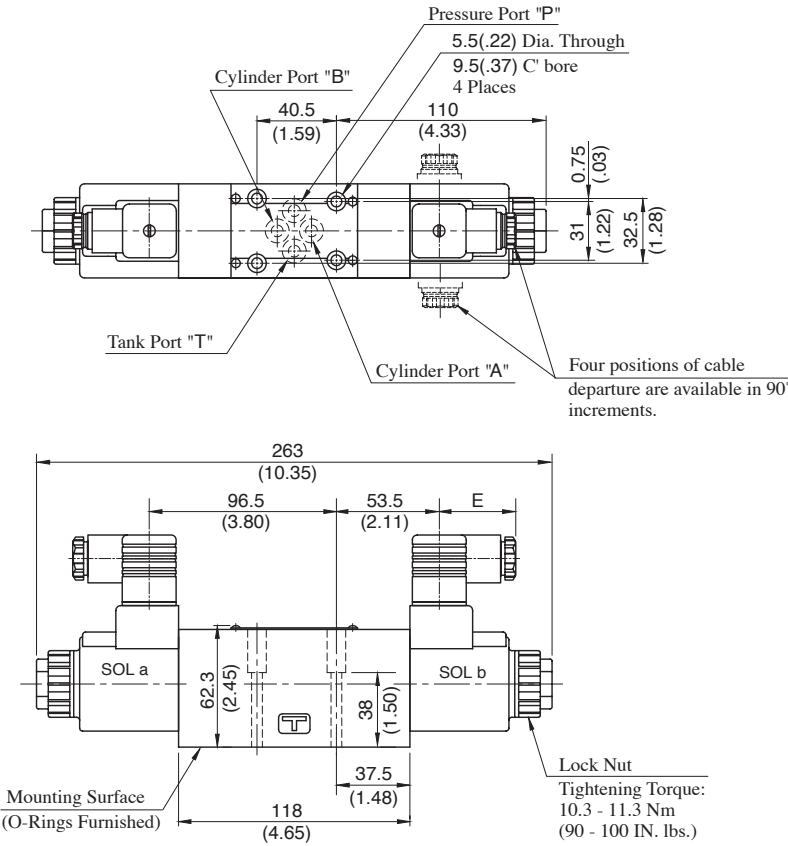


■ 4 Port Valve

Mounting Surface:  
ISO4401-AB-03-4-A

● Normally Open: DSLG-01-4-O-\*-\*N-11/1190

**DIMENSIONS IN  
MILLIMETRES (INCHES)**

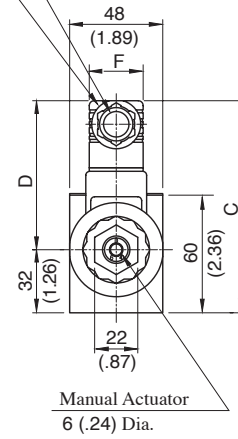


The connector can be moved to various positions by loosening the "Lock Nut". After location tighten "Lock Nut".

Cable Departure

Cable Applicable:

Outside Dia. .... 8-10 mm (.31 - .39 in.)  
Conductor Area ... Not Exceeding 1.5 mm<sup>2</sup>  
(.0023 Sq. in.)



Model Numbers	Dimensions mm (Inches)			
	C	D	E	F
DSL-01-4-O-D*-N	108 (4.25)	64 (2.52)	39 (1.54)	27.5 (1.08)
DSL-01-4-O-R*-N	111 (4.37)	57.2 (2.25)	51 (2.01)	34 (1.34)

● The information on 3 Port Valves is provided in the [following page](#).

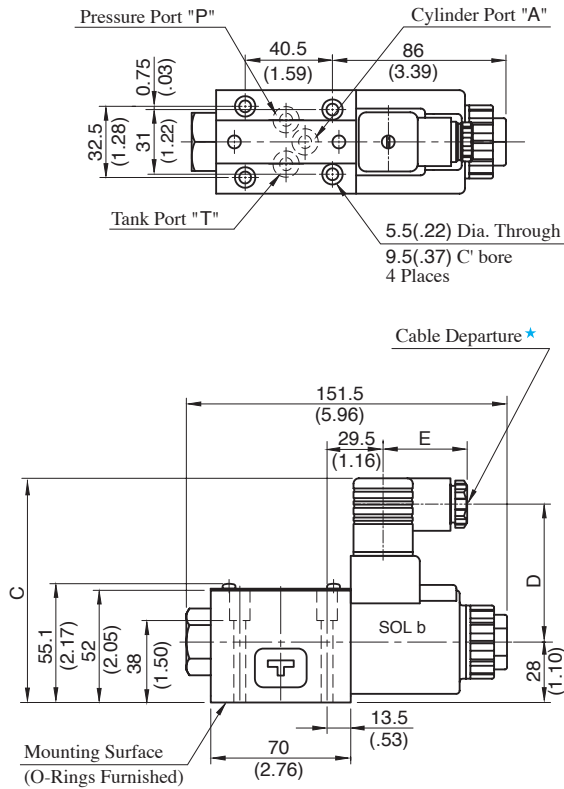
Note: For the valve mounting surface dimensions, see the dimensional drawing of the sharable sub-plate in [page 356](#).

Mounting Surface:  
ISO4401-AB-03-4-A

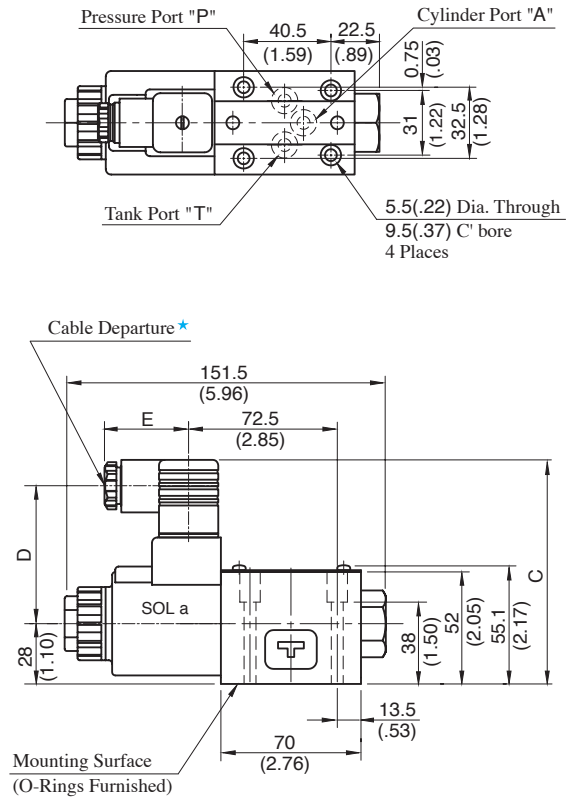
## 3 Port Valves

DIMENSIONS IN  
MILLIMETRES (INCHES)

### ● Normally Open Type: DSL<sub>G</sub>-01-3-O-*\**-N-11/1190



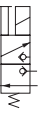
### ● Normally Closed Type: DSL<sub>G</sub>-01-3-C-*\**-N-11/1190



Model Numbers	Dimensions mm (Inches)		
	C	D	E
DSL <sub>G</sub> -01-3- <i>*</i> -D- <i>*</i> -N	104 (4.09)	64 (2.52)	39 (1.54)
DSL <sub>G</sub> -01-3- <i>*</i> -R- <i>*</i> -N	107 (4.21)	57.2 (2.25)	51 (2.01)

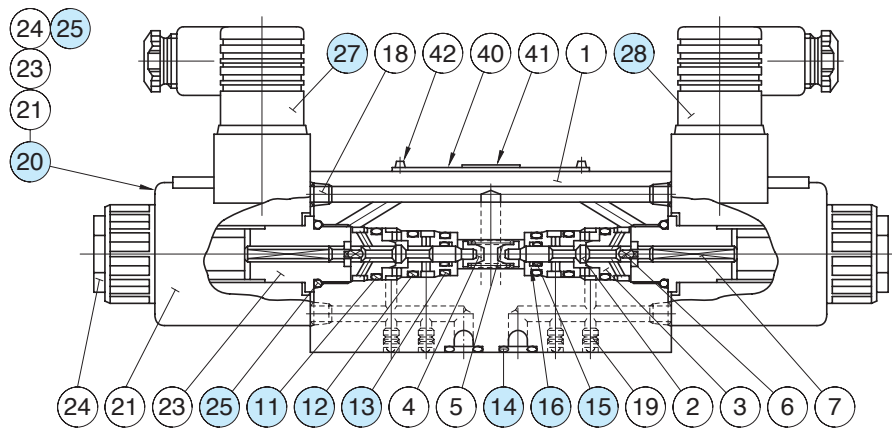
★ Cable departure position can be changed. See "4 Port Valves" in the previous page for the details.

Note: For the valve mounting surface dimensions, see the dimensional drawing of the sharable sub-plate in [page 356](#).

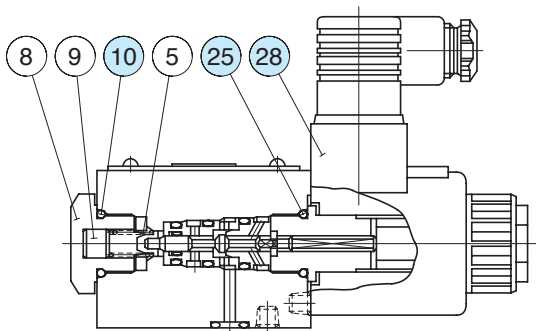


■ List of Seals, Solenoid Ass'y and Connectors

**4 Port Valve**



**3 Port Valve**



● List of Seals

Item	Name of Parts	Part Numbers	Quantity	
			4 Port Valve	3 Port Valve
10	O-Ring	SO-NB-P18	—	1
11	O-Ring	SO-NB-P14	2	1
12	O-Ring	SO-NB-P12	2	1
13	O-Ring	SO-NB-P11	2	1
14	O-Ring	SO-NB-P9	4	3
15	O-Ring	SO-NA-P5	2	1
16	Back Up Ring	2705-VK414322-8	2	1
25	O-Ring	SO-NB-P18	2	1

Note 1: O-Ring of item (25) are included in solenoid assembly.  
 2: When ordering the seals, specify the seal kit number from the table right.

● Change of supply voltage

The supply voltage can be changed by replacing the coil (21) only.

● List of Seal Kits

Valve Model Number s	Seal Kit Numbers
DSLГ-01-3-O-* -N-11*	KS-DSLГ-01-3-N-11
DSLГ-01-3-C-* -N-11*	
DSLГ-01-4-O-* -N-11*	KS-DSLГ-01-4-N-11

● List of Solenoid Ass'y and Connectors

Valve Model No.	(20) Solenoid Ass'y No.	(21) Coil No.	(27) Connector No.	(28) Connector No.
DSLГ-01-* -D12-N-11*	SD1L-12-N-20	C-SD1-12-N-60	GDM-211-A-11	GDM-211-B-11
DSLГ-01-* -D24-N-11*	SD1L-24-N-20	C-SD1-24-N-60		
DSLГ-01-* -R100-N-11*	SD1L-100-N-20	C-SR1-100-N-60	GDME-211-R-A-10	GDME-211-R-B-10
DSLГ-01-* -R200-N-11*	SD1L-200-N-20	C-SR1-200-N-60		



## Multi Purpose Control Valves

The Yuken Multi-Purpose Control Valves Comply with The Needs of Reducing Cost and Size of Your Machine

YUKEN's Multi Purpose Control Valves are compound valves composed of the main valve having four poppets, 1/8 Solenoid Operated Directional Valves for pilot and Pilot Selector Valves. This valve is multifunctionalized by having individual poppet had functions such as directional control, flow control or pressure control according to the combination of the main valve and pilot selector valve.

### Features

#### Multi-purpose control valves

The valves combine three functions of directional control, flow control and of pilot operated check valve (or counterbalance valve). The valves contribute for reducing a number of valves in applications and space for installation and then eventually leads to reduction in size and cost of your machines.

#### Quick response, High reliability

Changeover response time is very quick as the valves are poppet type, there is no over-lap. No hydraulic lock occurs as there is no leakage of pressurised oil from the seat parts.

#### Easy to reduce shock in your hydraulic system

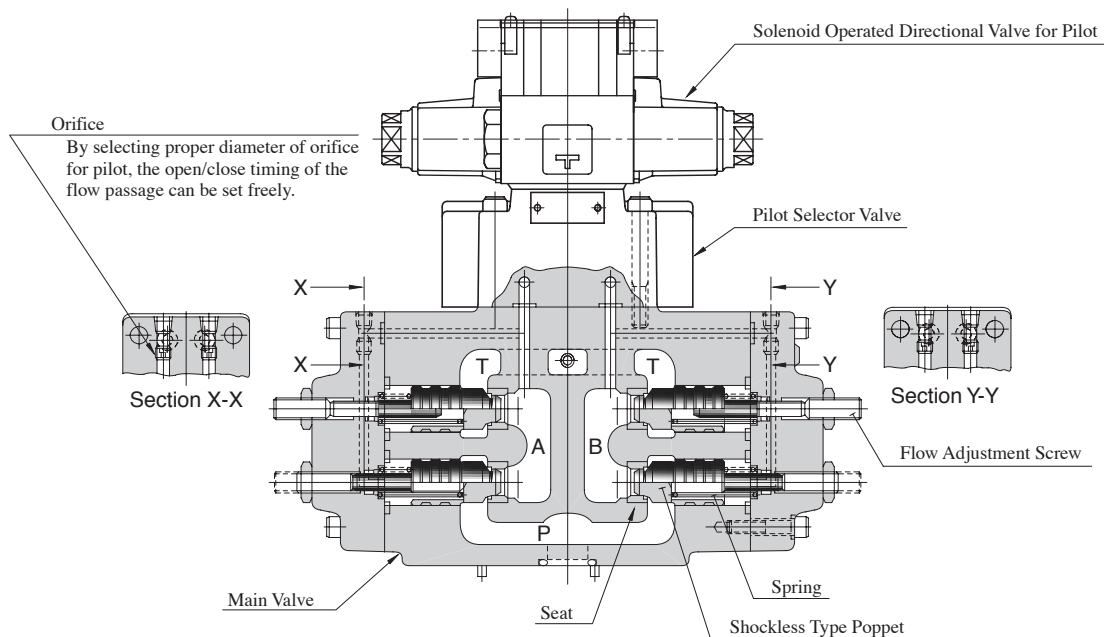
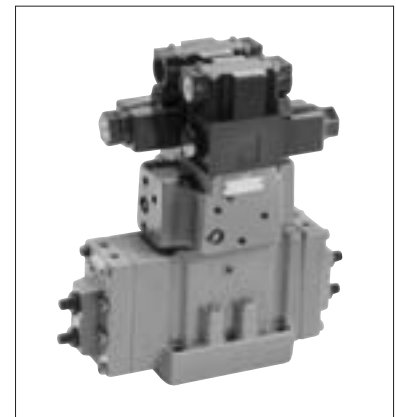
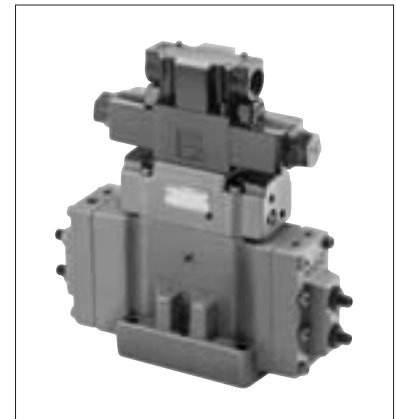
By selecting proper diameter of orifice for pilot, the open/close timing of the flow passage can be set freely. Therefore, smooth starting and stopping of actuator can be done combined with using shockless type poppet. Noise of ON/OFF and vibration of piping in hydraulic system can be also reduced.

#### For regenerative circuit

4 position-4 way type, which is to compose regenerative circuit, is available. By adopting regenerative circuit, gaining fast feed speed by using smaller volume pump is possible. Therefore saving electric power of system is possible.

#### The mounting dimensions are conformed with ISO standard

The valves are interchangeable with our conventional valves in mounting.



## Specifications

Model Numbers	Max. Flow L/min (U.S.GPM)	Max. Operating Pressure MPa (PSI)	Max. Pilot Pressure MPa (PSI)	Max. T-Line Back Pres. MPa (PSI)	Pressure Adj. Range of Counterbalance MPa (PSI)	Ratio of Poppet Area (Seat Area: Annular Area)		Approx. Mass kg (lbs.)
						Direction & Flow Control	Pressure Control	
DSLHG-04-1-* -13*	150 (39.6)	25 (3630)	25 (3630)	16 (2320)	—	1:1	—	15 (33)
DSLHG-04-2-* -13*								15 (33)
DSLHG-04-3-* -13*								19 (42)
DSLHG-04-4-* -13*	150 {100}* (39.6 {26.4})	25 (3630)	25 (3630)	16 (2320)	Refer to Model No. Designation	1:1	24:1	20 (44)
DSLHG-04-5-* -13*								22.5 (50)
DSLHG-06-1-* -13*	300 (79.3)	25 (3630)	25 (3630)	16 (2320)	—	1:1	—	26.5 (59)
DSLHG-06-2-* -13*								26.5 (59)
DSLHG-06-3-* -13*								28 (62)
DSLHG-06-4-* -13*	300 {200}* (79.3 {52.8})	25 (3630)	25 (3630)	16 (2320)	Refer to Model No. Designation	1:1	24:1	31 (68)
DSLHG-06-5-* -13*								34.5 (76)
DSLHG-10-1-* -13*	500 (132)	25 (3630)	25 (3630)	16 (2320)	—	1:1	—	59 (130)
DSLHG-10-2-* -13*								59 (130)
DSLHG-10-3-* -13*								62 (137)
DSLHG-10-4-* -13*	500 {300}* (132 {79.3})	25 (3630)	25 (3630)	16 (2320)	Refer to Model No. Designation	1:1	24:1	63.5 (140)
DSLHG-10-5-* -13*								67 (148)

★ In case of counterbalance function line, maximum flow is limited to the values in brackets.

## Solenoid Ratings

Refer to Pilot Valve (DSG-01 Series Solenoid Operated Directional Valve) Solenoid Ratings on [page 345](#).

## Model Number Designation

F-	DSLH	G	-04	-4	A	-B		
Special Seals	Series Number	Type of Mounting	Valve Size	Type of Pilot Control	Counterbalance Function	Pressure Adj. Range of Counterbalance MPa (PSI)		
F: For phosphate ester type fluids (Omit if not required)	DSLH: Multi-Purpose Control Valve	G: Sub-plate Mounting	04	1	—	—		
				2				
				3				
			06	4	A : AT Line W : AT & BT Lines	B : * <sup>★1</sup> - 7 (* <sup>★1</sup> - 1020) H : 6 - 25 (870 - 3630)		
				5				
				1			—	—
				2				
				3				
				10			4	A : AT Line W : AT & BT Lines
			5					
			See <a href="#">page 462</a> for functions and purpose of use.					

★1. See "Min. Adjustment Pressure", [page 464](#), for information on minimum adjustment pressure.

## Sub-plate

Valve Model Numbers	Japanese Standard "JIS"			European Design Standard			N. American Design Standard		
	Sub-plate Model Numbers	Thread Size	Approx. Mass kg (lbs.)	Sub-plate Model Numbers	Thread Size	Approx. Mass kg (lbs.)	Sub-plate Model Numbers	Thread Size	Approx. Mass kg (lbs.)
DSLHG-04	DHGM-04-20	Rc 1/2	4.4 (9.7)	DHGM-04-2080	1/2 BSP.F	4.4 (9.7)	DHGM-04-2090	1/2 NPT	4.4 (9.7)
	DHGM-04X-20	Rc 3/4	4.1 (9.0)	DHGM-04X-2080	3/4 BSP.F	4.1 (9.0)	DHGM-04X-2090	3/4 NPT	4.1 (9.0)
DSLHG-06	DHGM-06-50	Rc 3/4	7.4 (16.3)	DHGM-06-5080	3/4 BSP.F	8.5 (18.7)	DHGM-06-5090	3/4 NPT	7.4 (16.3)
	DHGM-06X-50	Rc 1	7.4 (16.3)	DHGM-06X-5080	1 BSP.F	8.5 (18.7)	DHGM-06X-5090	1 NPT	7.4 (16.3)
DSLHG-10	DHGM-10-40	Rc 1-1/4	21.5 (47.4)	DHGM-10-4080	1-1/4 BSP.F	21.5 (47.4)	DHGM-10-4090	1-1/4 NPT	21.5 (47.4)
	DHGM-10X-40	Rc 1-1/2	21.5 (47.4)	DHGM-10X-4080	1-1/2 BSP.F	21.5 (47.4)	DHGM-10X-4090	1-1/2 NPT	21.5 (47.4)

- Sub-plates are available. Specify the sub-plate model number from the table above. When sub-plates are not used, the mounting surface should have a good machined finish.
- These sub-plates are sharable with those for DSHG Series Solenoid Controlled Pilot Operated Directional Valve. For dimensions, see [pages 401 to 403](#).

## Mounting Bolts

Socket head cap screws in the table below are included.

Model Numbers	Socket Head Cap Screw			
	Japanese Standard "JIS" and European Design Standard	N. American Design Standard	Qty.	Tightening Torque Nm (In. lbs.)
DSLHG-04	M6 × 40 Lg.	1/4-20 UNC × 1-1/2 Lg.	2	12-15 (106-133)
	M10 × 45 Lg.	3/8-16 UNC × 1-3/4 Lg.	4	58-72 (513-637)
DSLHG-06	M12 × 60 Lg.	1/2-13 UNC × 2-1/2 Lg.	6	100-123 (885-1089)
DSLHG-10	M20 × 75 Lg.	3/4-10 UNC × 3 Lg.	6	473-585 (4186-5177)

-E	T	-A100	-C	-N	-13	*
Pilot Connection	Drain Connection <sup>★2</sup>	Coil Type	Manual Override	Electrical Conduit Connection	Design Number	Design Standards
None: Internal Pilot	None: External Drain	AC: <b>A100</b> <b>A120</b> <b>A200</b> <b>A240</b>	None: Manual Override Pin	None: Terminal Box Type	<b>13</b>	None: Japanese Std. "JIS" <b>90:</b> N.American Design Std.
		DC: <b>D12</b> <b>D24</b> <b>D48</b>				
E: External Pilot	T: Internal Drain	R: (AC→DC) <b>R100</b> <b>R200</b>	C: Push Button & Lock Nut (Options)	N: Plug-in Connector Type	<b>13</b>	None: Japanese Std. "JIS" & European Design Std. <b>90:</b> N.American Design Std.

★2. In case of lines with counterbalance function ( $-4 \frac{A}{W}$ ,  $-5 \frac{A}{W}$ ), External Drain must be selected for Drain Connection.

The coil type numbers in the shaded column are handled as optional extras. In case these coils are required to be chosen, please confirm the time of delivery with us before ordering.

**Function and Purpose of Use**

Type of Pilot Control	Model No.	Graphic Symbols	Function			Purpose of Use															
			Directional Control	Flow Control	Pilot Operated Check Valve / Pressure Control																
Type "1"	DSLHG-**-1					<ul style="list-style-type: none"> <li>Functions as Three Position Four-Way Valve (Spring Centred Model).</li> </ul>															
	DSLHG-**-2		<table border="1"> <thead> <tr> <th>Position</th> <th>#1</th> <th>#2</th> <th>#3</th> </tr> </thead> <tbody> <tr> <td>SOL a</td> <td>ON</td> <td>OFF</td> <td>OFF</td> </tr> <tr> <td>SOL b</td> <td>OFF</td> <td>OFF</td> <td>ON</td> </tr> </tbody> </table>	Position	#1	#2	#3	SOL a	ON	OFF	OFF	SOL b	OFF	OFF	ON	Both Metre-in and Metre-out are possible	<ul style="list-style-type: none"> <li>To get a function of pilot operated check valve, the following conditions should be fulfilled.                             <ul style="list-style-type: none"> <li>Internal pilot type ("P" port pressure) <math>\geq</math> ("A""B" ports pressure)</li> <li>External pilot type (Pilot pressure) <math>\geq</math> ("A""B" ports pressure)</li> </ul> </li> </ul>	<ul style="list-style-type: none"> <li>Functions as Three Position Four-Way Valve (Spring Centred Model) as well as Two Position Valve which uses positions #1 and #3.</li> <li>Effective especially when the actuator has inertia force.</li> </ul>			
Position	#1	#2	#3																		
SOL a	ON	OFF	OFF																		
SOL b	OFF	OFF	ON																		
Type "3"	DSLHG-**-3		<table border="1"> <thead> <tr> <th>Position</th> <th>#1</th> <th>#2</th> <th>#3</th> <th>#4</th> </tr> </thead> <tbody> <tr> <td>SOL a</td> <td>ON</td> <td>OFF</td> <td>ON</td> <td>OFF</td> </tr> <tr> <td>SOL b</td> <td>OFF</td> <td>OFF</td> <td>ON</td> <td>ON</td> </tr> </tbody> </table>	Position	#1	#2	#3	#4	SOL a	ON	OFF	ON	OFF	SOL b	OFF	OFF	ON	ON			<ul style="list-style-type: none"> <li>Functions as Four Position Four-Way Valve.</li> <li>Regenerative circuit can be constructed at the Position #3.</li> </ul>
Position	#1	#2	#3	#4																	
SOL a	ON	OFF	ON	OFF																	
SOL b	OFF	OFF	ON	ON																	
Type "4"	DSLHG-**-4A					<ul style="list-style-type: none"> <li>Pressure control function (counterbalance valve) has been added to Type "2" to make this type.</li> </ul>															
	DSLHG-**-4W		<table border="1"> <thead> <tr> <th>Position</th> <th>#1</th> <th>#2</th> <th>#3</th> </tr> </thead> <tbody> <tr> <td>SOL a</td> <td>ON</td> <td>OFF</td> <td>OFF</td> </tr> <tr> <td>SOL b</td> <td>OFF</td> <td>OFF</td> <td>ON</td> </tr> </tbody> </table>	Position	#1	#2	#3	SOL a	ON	OFF	OFF	SOL b	OFF	OFF	ON			<ul style="list-style-type: none"> <li>Used to control the back pressure of the actuator.</li> </ul>			
Position	#1	#2	#3																		
SOL a	ON	OFF	OFF																		
SOL b	OFF	OFF	ON																		
Type "5"	DSLHG-**-5A					<ul style="list-style-type: none"> <li>Pressure control function (counterbalance valve) has been added to Type "3" to make this type.</li> </ul>															
	DSLHG-**-5W		<table border="1"> <thead> <tr> <th>Position</th> <th>#1</th> <th>#2</th> <th>#3</th> <th>#4</th> </tr> </thead> <tbody> <tr> <td>SOL a</td> <td>ON</td> <td>OFF</td> <td>ON</td> <td>OFF</td> </tr> <tr> <td>SOL b</td> <td>OFF</td> <td>OFF</td> <td>ON</td> <td>ON</td> </tr> </tbody> </table>	Position	#1	#2	#3	#4	SOL a	ON	OFF	ON	OFF	SOL b	OFF	OFF	ON	ON			<ul style="list-style-type: none"> <li>Used to control the back pressure of the actuator.</li> </ul>
Position	#1	#2	#3	#4																	
SOL a	ON	OFF	ON	OFF																	
SOL b	OFF	OFF	ON	ON																	

## ■ Instructions

### ● Pilot Pressure

Pilot pressure of external pilot drain models must always exceed the pressure of the main pressure port "P".

### ● Pilot Drain Port

Avoid connecting the pilot drain port to a line with possible surge pressure.

### ● Drain Connection when with Counterbalance Function

When a valve having counterbalance function is used with internal drain type, the counterbalance pilot valve is subjected to pressure fluctuation and the pressure setting becomes unstable. For this reason, be sure to use external drain type valve.

### ● Flow Adjustment

To perform the flow adjustment, loosen the lock nut, then turn the flow adjustment screw clockwise to decrease the flow. Be sure to re-tighten the lock nut after the adjustment.

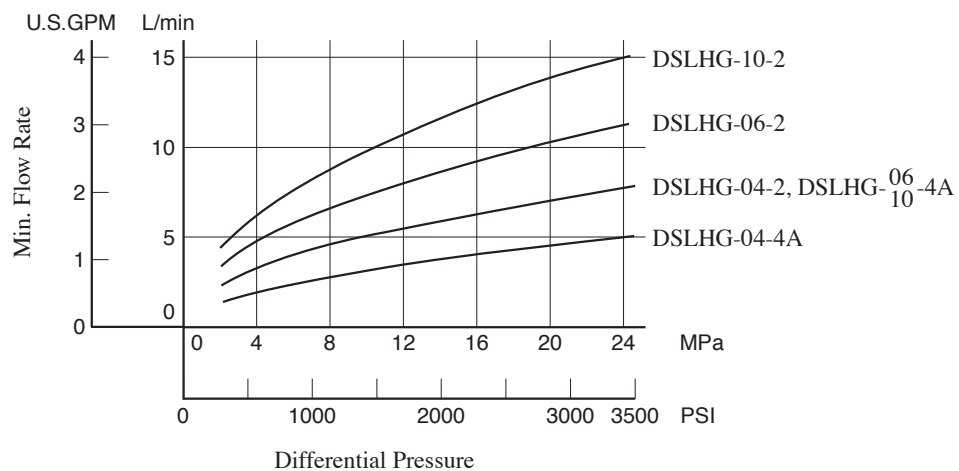
### ● Pressure Adjustment

To perform the pressure adjustment, loosen the lock nut, then turn the pressure adjustment screw clockwise to increase the pressure. Be sure to re-tighten the lock nut after the adjustment.

### ● Min. Controlled Flow for Types "2" and "4A" at The Time of Metre-out Control

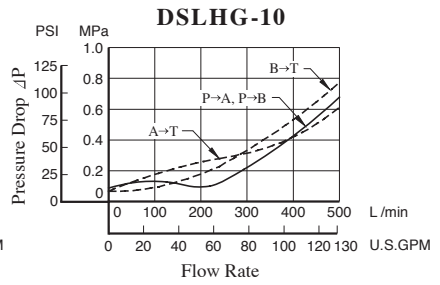
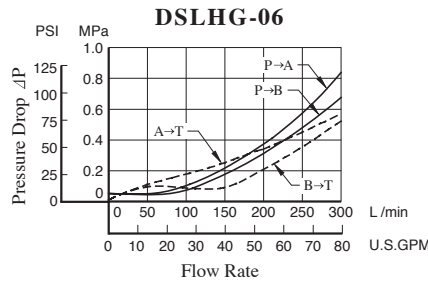
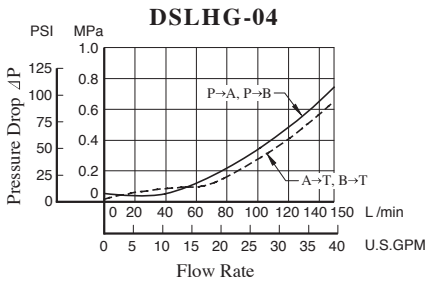
Minimum controlled flow at the time of metre-out control is limited (this does not happen during metre-in control) as shown in the figure below only in the case of pilot control types "2" (DSLHG- \*-2) and "4A" (DSLHG- \*-4A).

Min. Controlled Flow for Types "2" and "4A" at The Time of Metre-out Control



Hydraulic Fluid: Viscosity 35 mm<sup>2</sup>/s (164 SSU), Specific Gravity 0.850

**Pressure Drop**



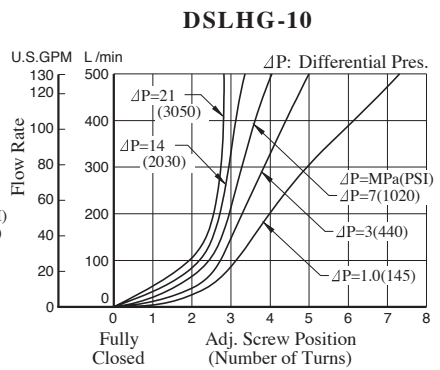
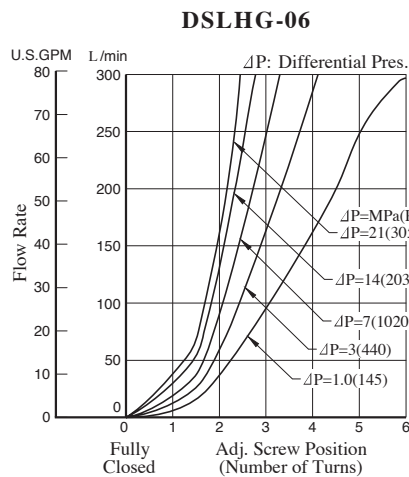
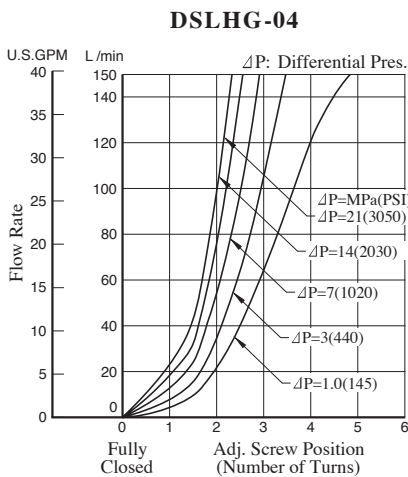
- For any other viscosity, multiply the factors in the table below.

Viscosity	mm <sup>2</sup> /s	15	20	30	40	50	60	70	80	90	100
		SSU	77	98	141	186	232	278	324	371	417
	Factor	0.81	0.87	0.96	1.03	1.09	1.14	1.19	1.23	1.27	1.30

- For any other specific gravity (G'), the pressure drop (ΔP') may be obtained from the formula below.

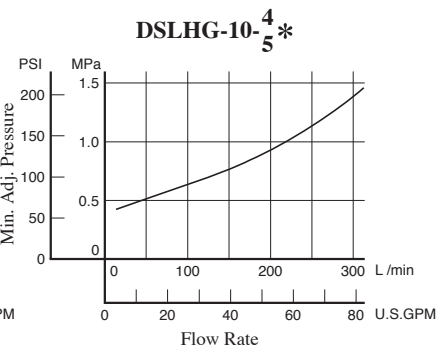
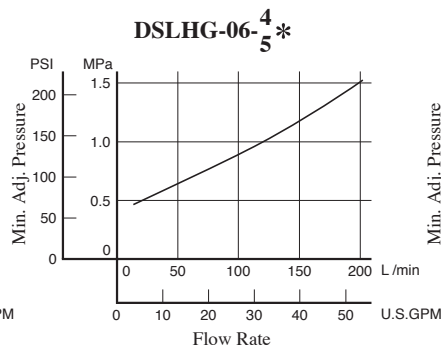
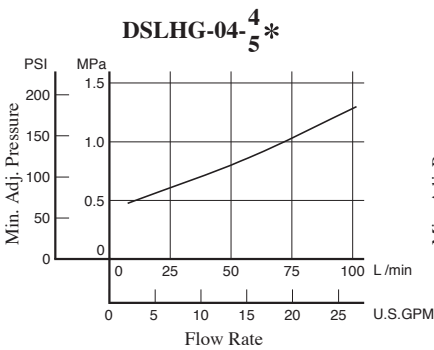
$$\Delta P' = \Delta P (G'/0.850)$$

**Flow vs. Adjustment Revolutions**



**Minimum Adjustment Pressure**

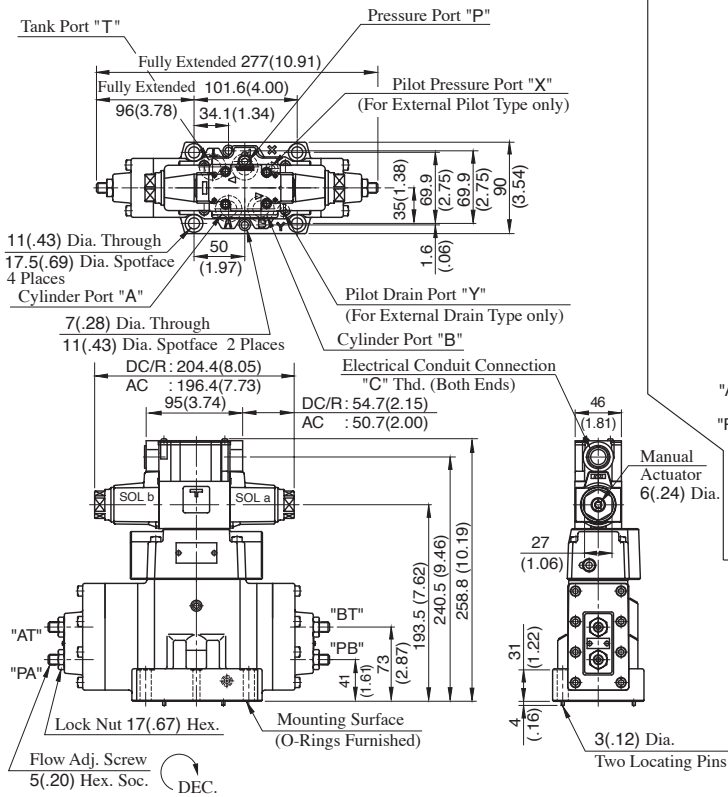
Because the minimum adjustment pressure varies with the tank line back pressure, add the tank line back pressure to the value on the following lines.



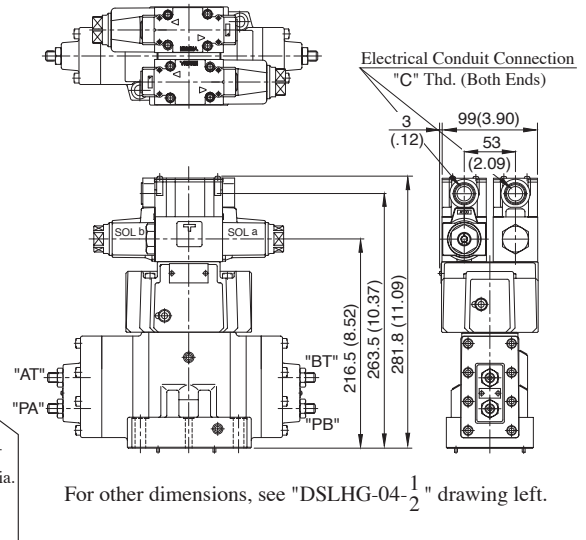
DSLHG-04- $\frac{1}{2}$ -\*-13/1390

## Terminal Box Type

Mounting Surface:  
ISO4401-AD-07-4-A



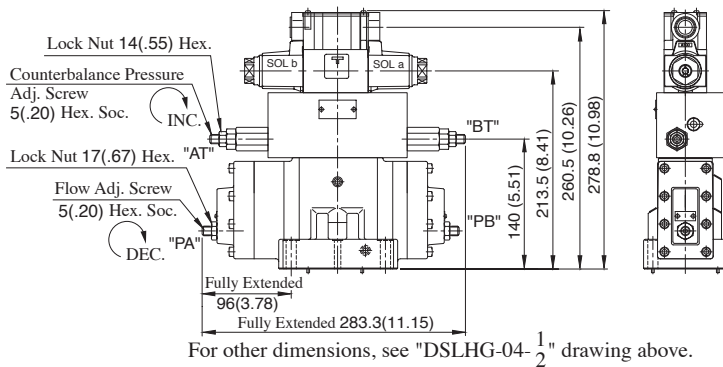
DSLHG-04-3-\*-13/1390



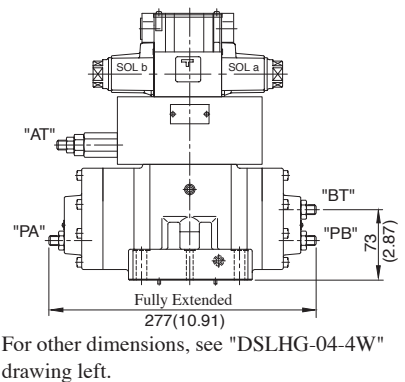
Model Numbers	"C" Thd.
DSLHG-04-*-13	G 1/2
DSLHG-04-*-1390	1/2 NPT

DIMENSIONS IN  
MILLIMETRES (INCHES)

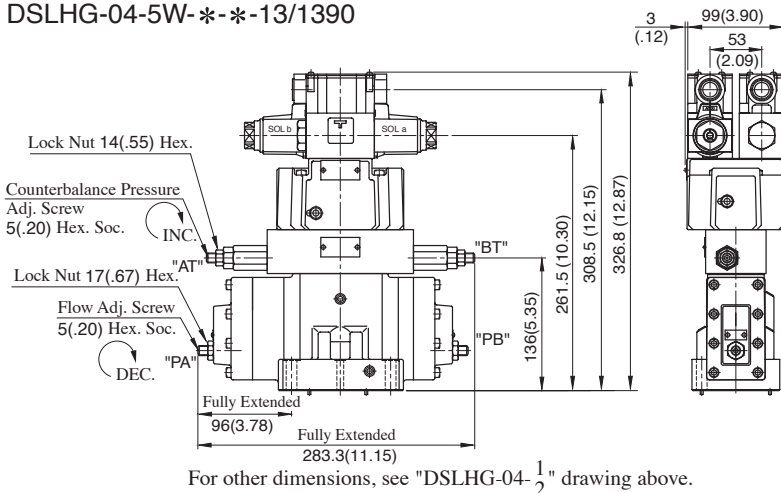
DSLHG-04-4W-\*-13/1390



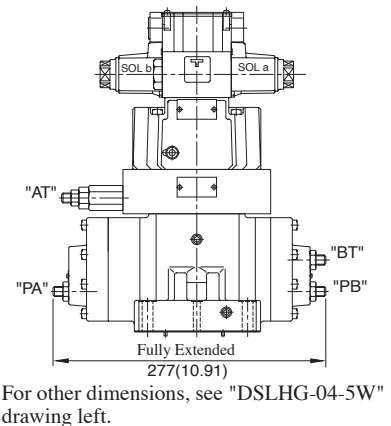
DSLHG-04-4A-\*-13/1390



DSLHG-04-5W-\*-13/1390



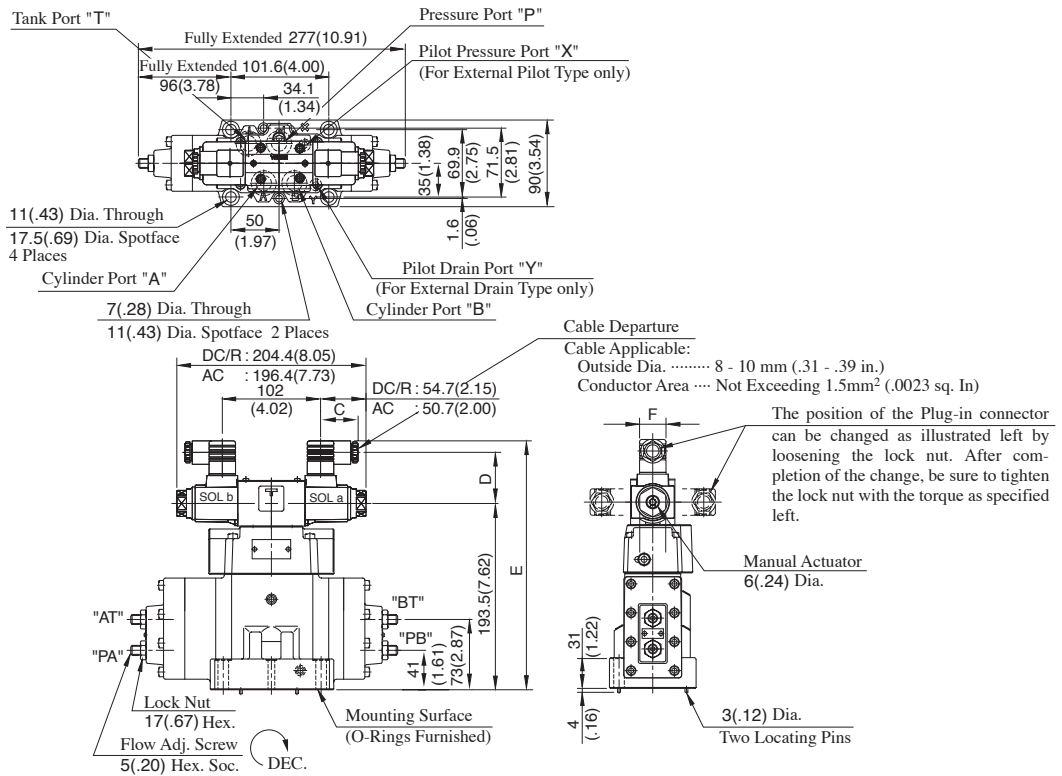
DSLHG-04-5A-\*-13/1390



DSLHG-04- $\frac{1}{2}$ -\*-N-13/1390

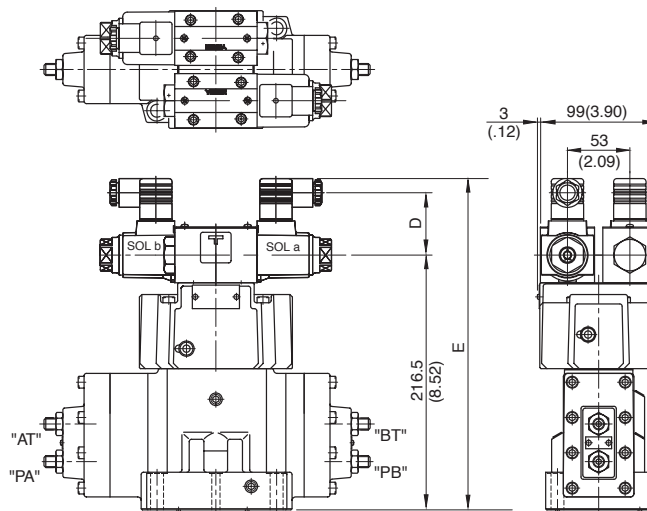
**Plug-in Connector Type**

Mounting Surface:  
ISO4401-AD-07-4-A



Model Numbers	Dimensions mm (Inches)			
	C	D	E	F
DSLHG-04-*-A*-N	39 (1.54)	53 (2.09)	258.5(10.18)	27.5 (1.08)
DSLHG-04-*-D*-N	39 (1.54)	64 (2.52)	269.5(10.61)	27.5 (1.08)
DSLHG-04-*-R*-N	53 (2.09)	57.2(2.25)	272.5(10.73)	34 (1.34)

DSLHG-04-3-\*-N-13/1390



Model Numbers	Dimensions mm (Inches)	
	D	E
DSLHG-04-3-A*-N	53 (2.09)	281.5 (11.08)
DSLHG-04-3-D*-N	64 (2.52)	292.5 (11.52)
DSLHG-04-3-R*-N	57.2 (2.25)	299.5 (11.63)

**DIMENSIONS IN MILLIMETRES (INCHES)**

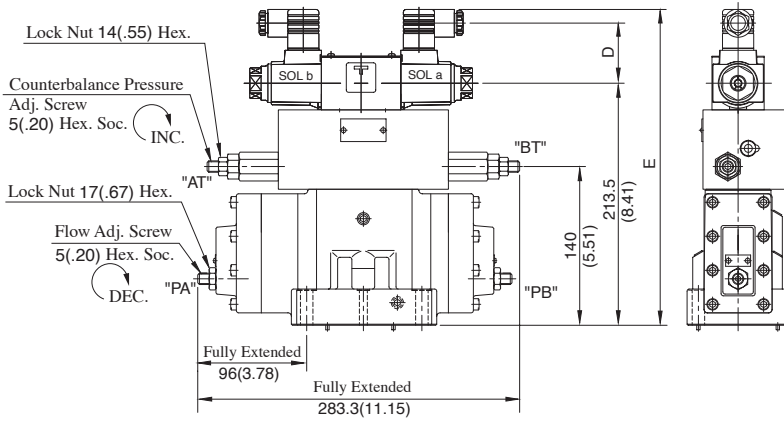
For other dimensions, see "DSLHG-04- $\frac{1}{2}$ -\*-N" drawing above.



## Plug-in Connector Type

Mounting Surface:  
ISO 4401-AD-07-4-A

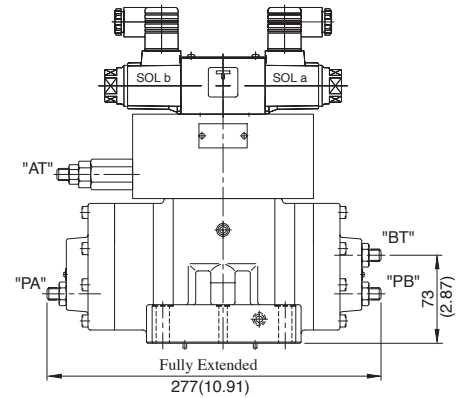
### DSLHG-04-4W-\*-N-13/1390



Model Numbers	Dimensions mm (Inches)	
	D	E
DSLHG-04-4W-*-A*-N	53 (2.09)	278.5 (10.96)
DSLHG-04-4W-*-D*-N	64 (2.52)	289.5 (11.40)
DSLHG-04-4W-*-R*-N	57.2 (2.25)	292.5 (11.52)

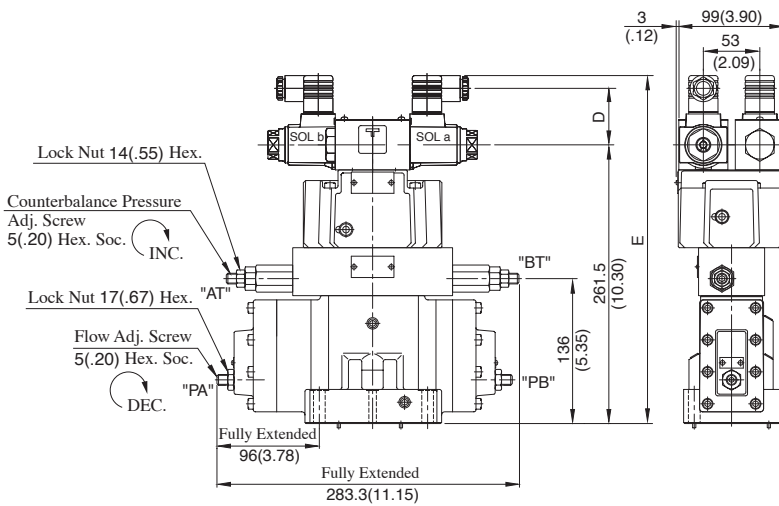
For other dimensions, see DSLHG-04- $\frac{1}{2}$ -\*-N on the [previous page](#).

### DSLHG-04-4A-\*-N-13/1390



For other dimensions, see  
"DSLHG-04-4W-\*-N-13/1390" drawing left.

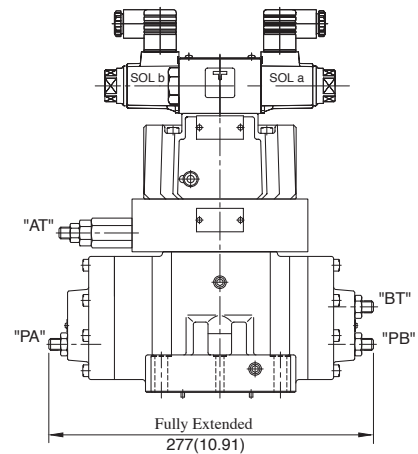
### DSLHG-04-5W-\*-N-13/1390



Model Numbers	Dimensions mm (Inches)	
	D	E
DSLHG-04-5W-*-A*-N	53 (2.09)	326.5 (12.85)
DSLHG-04-5W-*-D*-N	64 (2.52)	337.5 (13.28)
DSLHG-04-5W-*-R*-N	57.2 (2.25)	340.5 (13.41)

For other dimensions, see DSLHG-04- $\frac{1}{2}$ -\*-N on the [previous page](#).

### DSLHG-04-5A-\*-N-13/1390



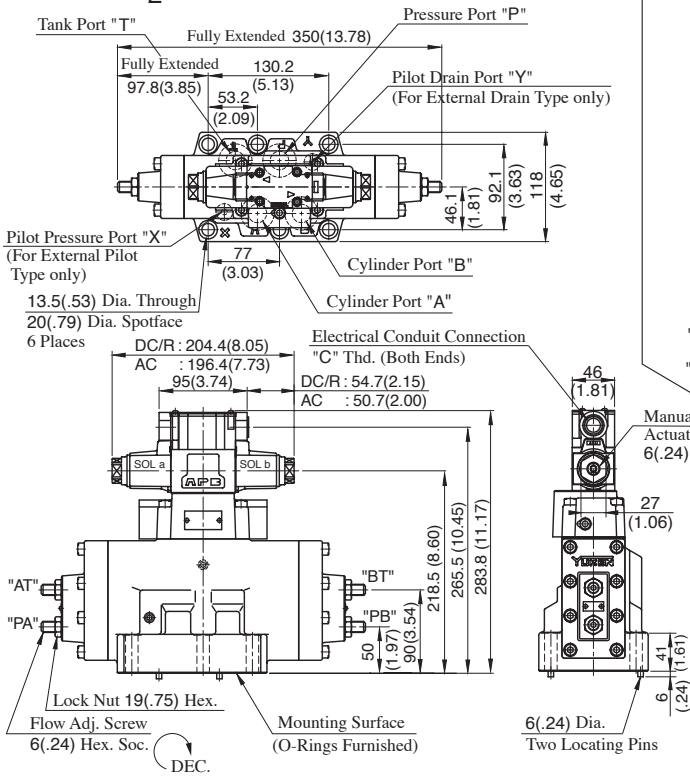
For other dimensions, see  
"DSLHG-04-5W-\*-N-13/1390" drawing left.

**DIMENSIONS IN  
MILLIMETRES (INCHES)**

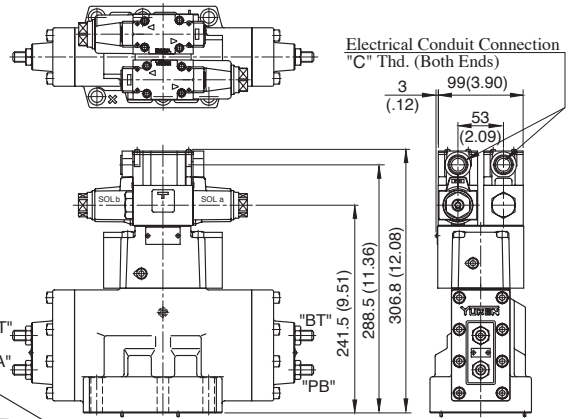
**Terminal Box Type**

Mounting Surface:  
ISO4401-AE-08-4-A

**DSLHG-06- $\frac{1}{2}$ -\*-13/1390**



**DSLHG-06-3-\*-13/1390**

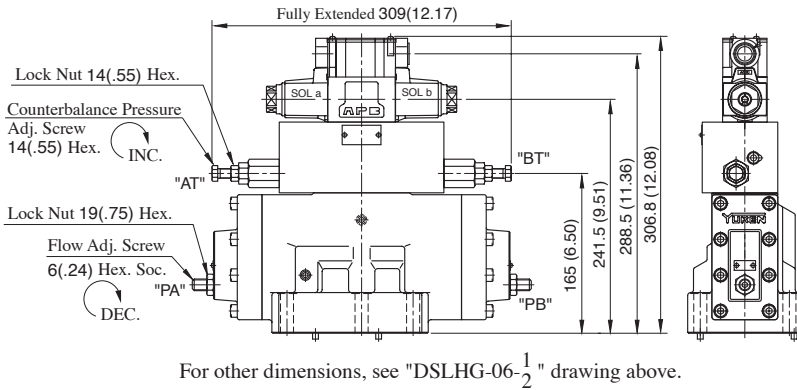


For other dimensions, see "DSLHG-06- $\frac{1}{2}$ " drawing left.

Model Numbers	"C" Thd.
DSLHG-06-*-13	G 1/2
DSLHG-06-*-1390	1/2 NPT

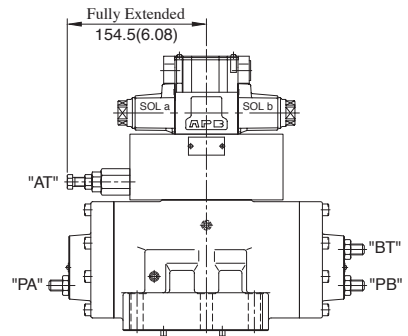
**DIMENSIONS IN MILLIMETRES (INCHES)**

**DSLHG-06-4W-\*-13/1390**



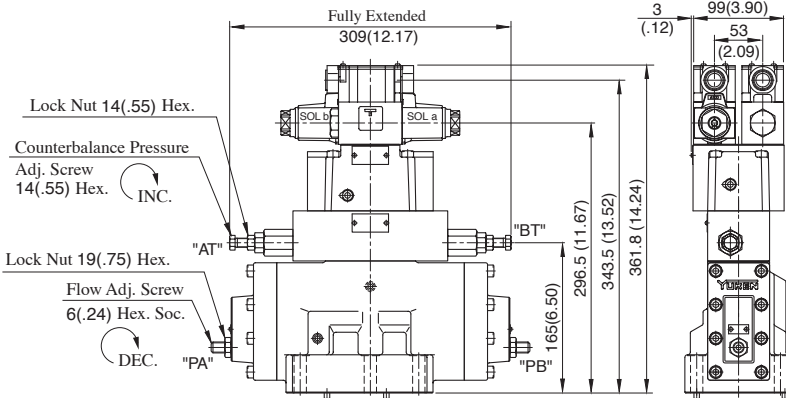
For other dimensions, see "DSLHG-06- $\frac{1}{2}$ " drawing above.

**DSLHG-06-4A-\*-13/1390**



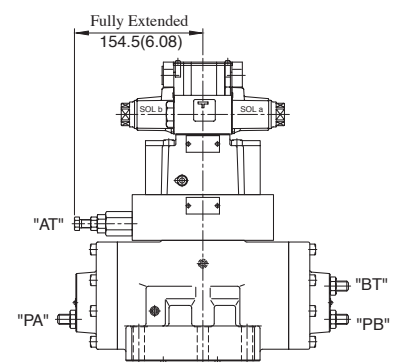
For other dimensions, see "DSLHG-06-4W" drawing left.

**DSLHG-06-5W-\*-13/1390**



For other dimensions, see "DSLHG-06- $\frac{1}{2}$ " drawing above.

**DSLHG-06-5A-\*-13/1390**

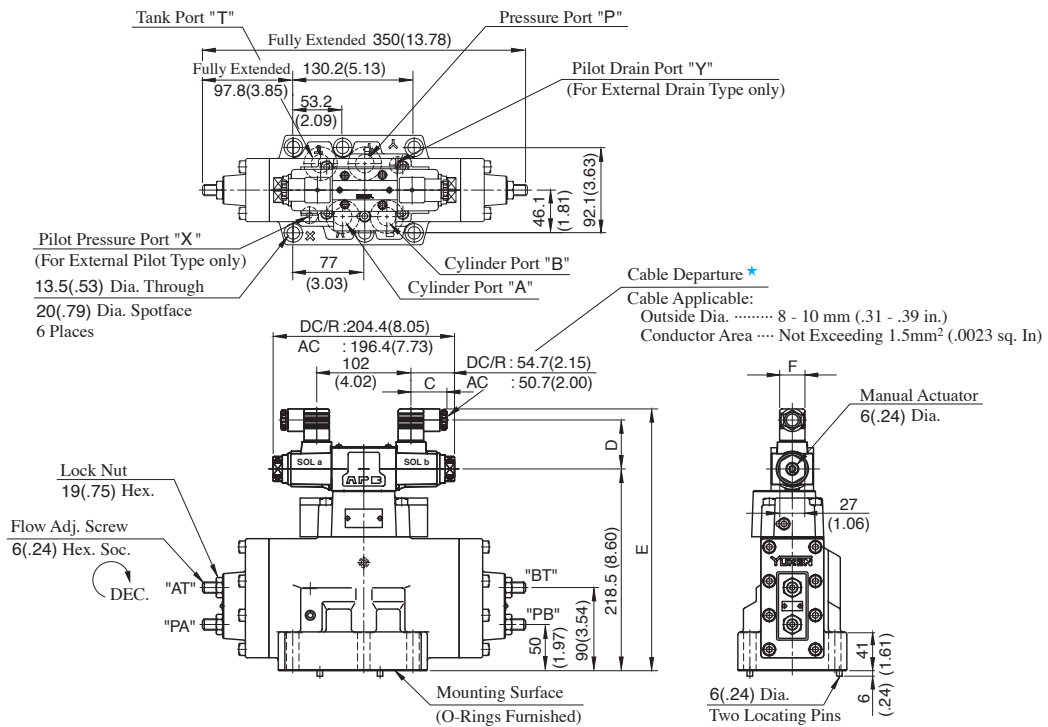


For other dimensions, see "DSLHG-06-5W" drawing left.

DSLHG-06- $\frac{1}{2}$ -\*-N-13/1390

## Plug-in Connector Type

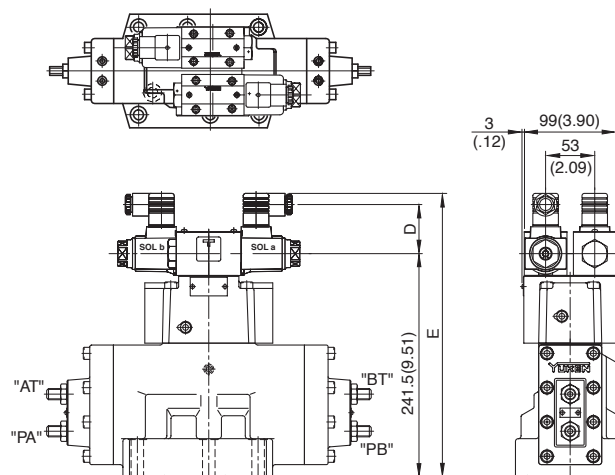
Mounting Surface:  
ISO4401-AE-08-4-A



Model Numbers	Dimensions mm (Inches)			
	C	D	E	F
DSLHG-06-*-A*-N	39 (1.54)	53 (2.09)	283.5 (11.16)	27.5 (1.08)
DSLHG-06-*-D*-N	39 (1.54)	64 (2.52)	294.5 (11.59)	27.5 (1.08)
DSLHG-06-*-R*-N	53 (2.09)	57.2 (2.25)	297.5 (11.71)	34 (1.34)

★ Position of cable departure can be changed. For the details, refer to DSLHG-04 valve on page 466.

DSLHG-06-3-\*-N-13/1390



Model Numbers	Dimensions mm (Inches)	
	D	E
DSLHG-06-3-A*-N	53 (2.09)	306.5 (12.07)
DSLHG-06-3-D*-N	64 (2.52)	317.5 (12.50)
DSLHG-06-3-R*-N	57.2 (2.25)	320.5 (12.62)

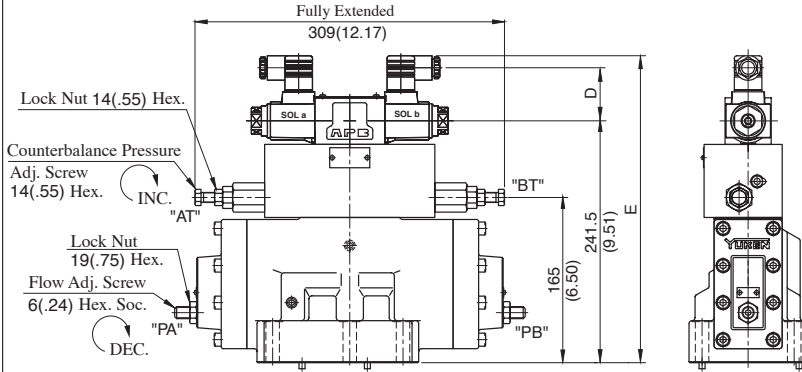
DIMENSIONS IN  
MILLIMETRES (INCHES)

For other dimensions, see "DSLHG-06- $\frac{1}{2}$ -\*-N" drawing above.

**Plug-in Connector Type**

Mounting Surface:  
ISO4401-AE-08-4-A

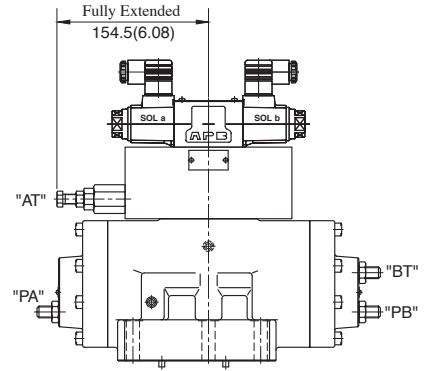
**DSLHG-06-4W-\*-N-13/1390**



Model Numbers	Dimensions mm (Inches)	
	D	E
DSLHG-06-4W-A*-N	53 (2.09)	306.5 (12.07)
DSLHG-06-4W-D*-N	64 (2.52)	317.5 (12.50)
DSLHG-06-4W-R*-N	57.2 (2.25)	320.5 (12.62)

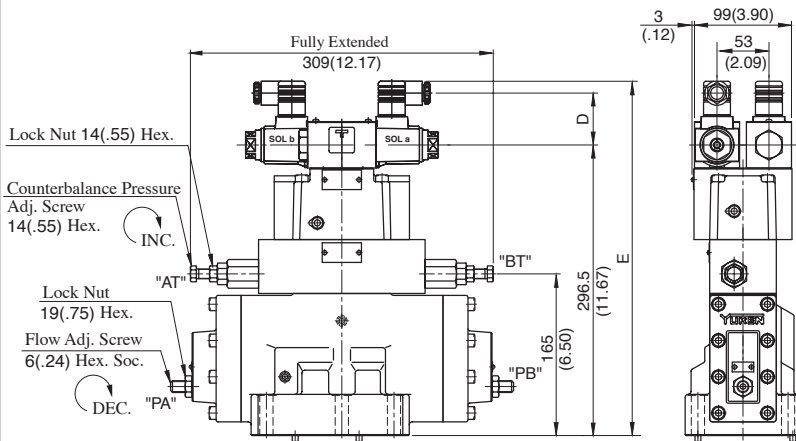
For other dimensions, see DSLHG-06- $\frac{1}{2}$ -\*-N on the [previous page](#).

**DSLHG-06-4A-\*-N-13/1390**



For other dimensions, see "DSLHG-06-4W-\*-N" drawing left.

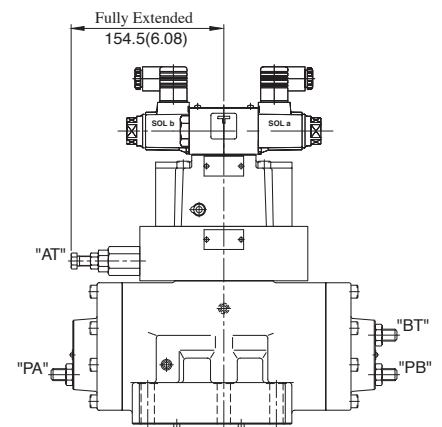
**DSLHG-06-5W-\*-N-13/1390**



Model Numbers	Dimensions mm (Inches)	
	D	E
DSLHG-06-5W-A*-N	53 (2.09)	361.5 (14.23)
DSLHG-06-5W-D*-N	64 (2.52)	372.5 (14.67)
DSLHG-06-5W-R*-N	57.2 (2.25)	375.5 (14.78)

For other dimensions, see DSLHG-06- $\frac{1}{2}$ -\*-N on the [previous page](#).

**DSLHG-06-5A-\*-N-13/1390**



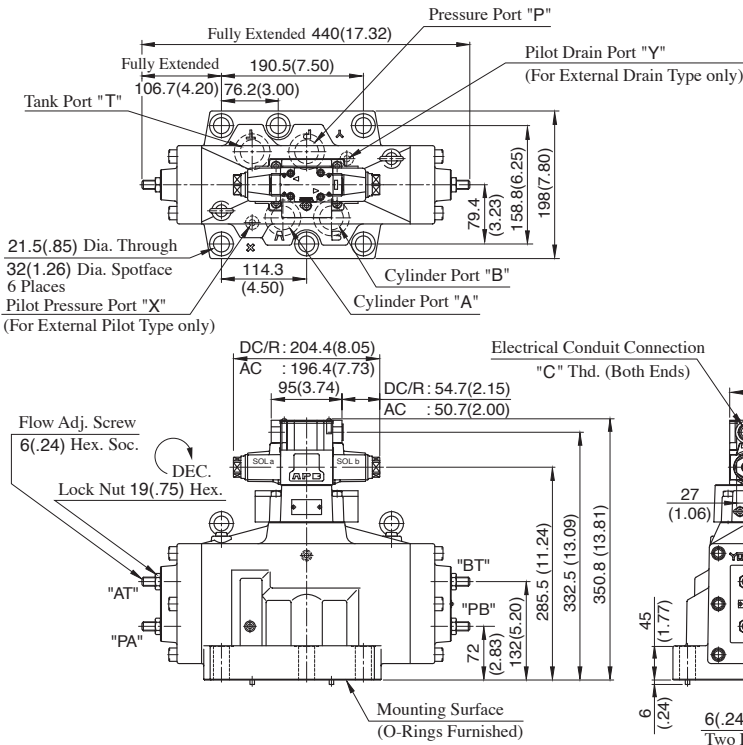
For other dimensions, see "DSLHG-06-5W-\*-N" drawing left.

**DIMENSIONS IN  
MILLIMETRES (INCHES)**

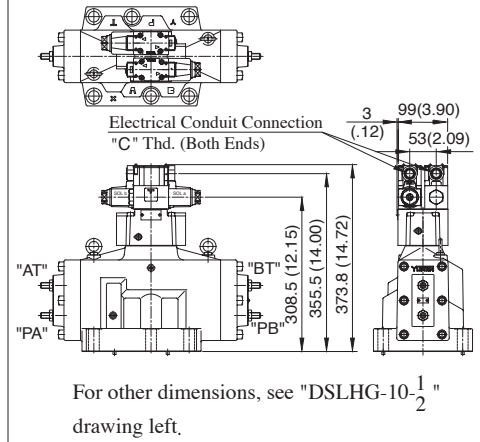
## Terminal Box Type

Mounting Surface:  
ISO 4401-AF-10-4-A

### DSLHG-10- $\frac{1}{2}$ -\*-13/1390



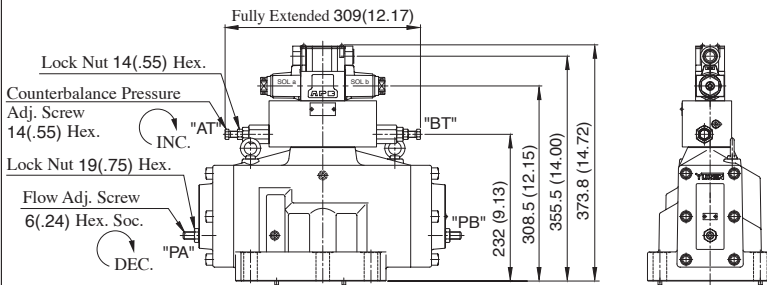
### DSLHG-10-3-\*-13/1390



Model Numbers	"C" Thd.
DSLHG-10-*-13	G 1/2
DSLHG-10-*-1390	1/2 NPT

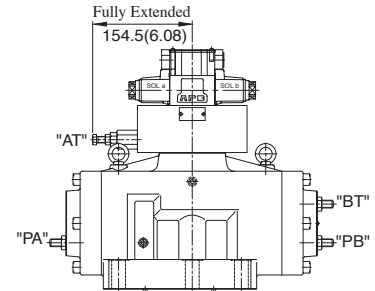
**DIMENSIONS IN  
MILLIMETRES (INCHES)**

### DSLHG-10-4W-\*-13/1390



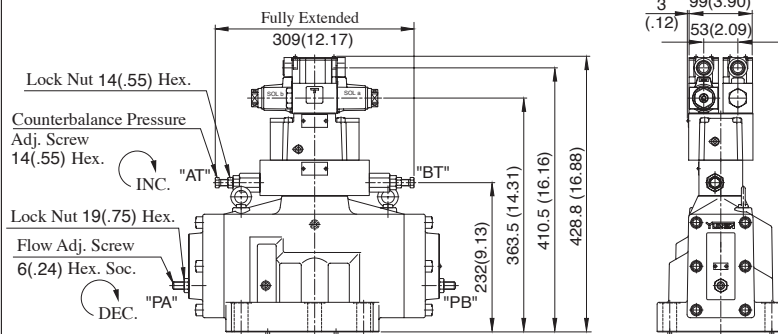
For other dimensions, see "DSLHG-10- $\frac{1}{2}$ " drawing above.

### DSLHG-10-4A-\*-13/1390



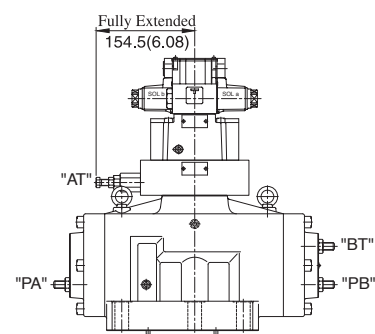
For other dimensions, see "DSLHG-10-4W"  
drawing left.

### DSLHG-10-5W-\*-13/1390



For other dimensions, see "DSLHG-10- $\frac{1}{2}$ " drawing above.

### DSLHG-10-5A-\*-13/1390

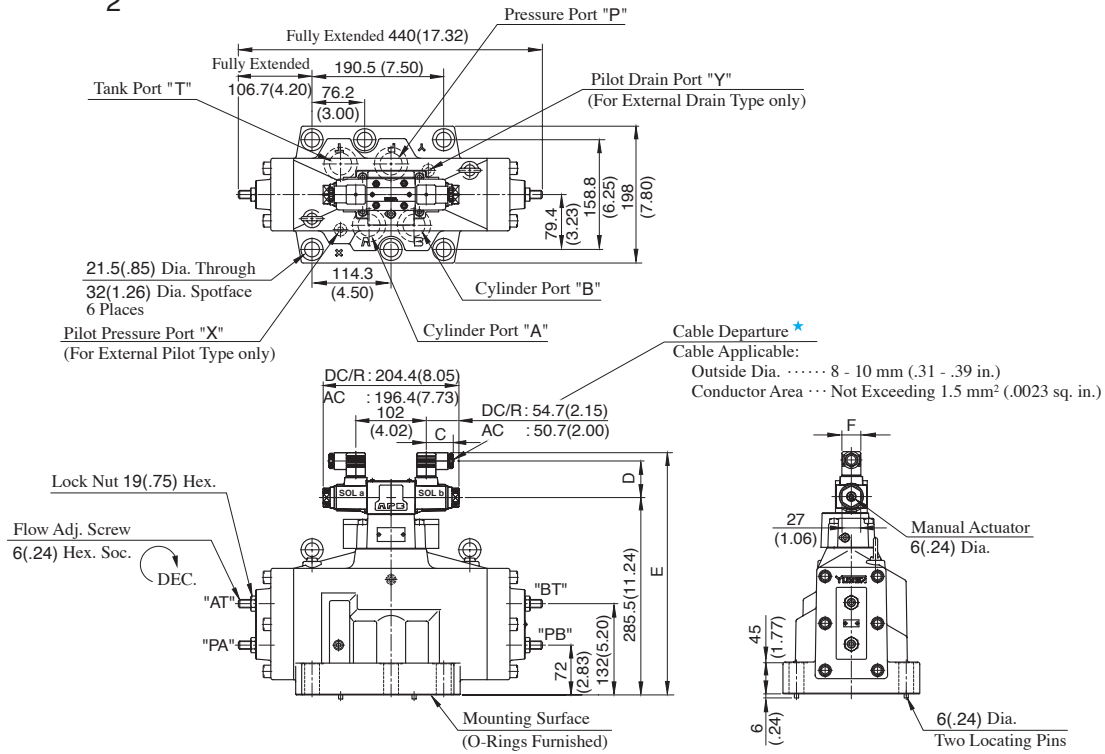


For other dimensions, see "DSLHG-10-5W"  
drawing left.

**Plug-in Connector Type**

Mounting Surface:  
ISO 4401-AF-10-4-A

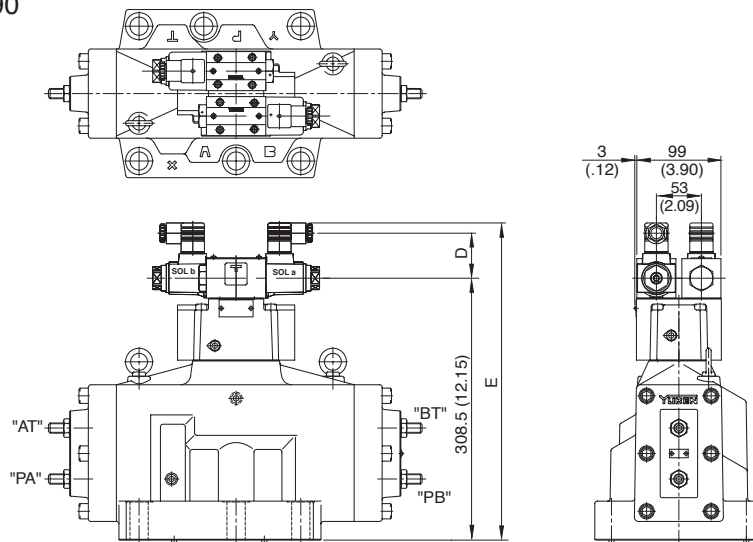
DSLHG-10- $\frac{1}{2}$ -\*-N-13/1390



Model Numbers	Dimensions mm (Inches)			
	C	D	E	F
DSLHG-10-*-A*-N	39 (1.54)	53 (2.09)	350.5 (13.80)	27.5 (1.08)
DSLHG-10-*-D*-N	39 (1.54)	64 (2.52)	361.5 (14.23)	27.5 (1.08)
DSLHG-10-*-R*-N	53 (2.09)	57.2(2.25)	364.5 (14.35)	34 (1.34)

★ Position of cable departure can be changed. For the details, refer to DSLHG-04 valve on page 466.

DSLHG-10-3-\*-N-13/1390



Model Numbers	Dimensions mm (Inches)	
	D	E
DSLHG-10-3-A*-N	53 (2.09)	373.5 (14.70)
DSLHG-10-3-D*-N	64 (2.52)	384.5 (15.14)
DSLHG-10-3-R*-N	57.2 (2.25)	387.5 (15.26)

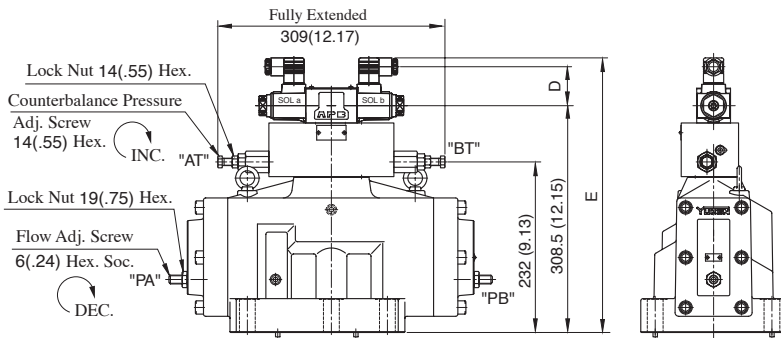
**DIMENSIONS IN  
MILLIMETRES (INCHES)**

For other dimensions, see "DSLHG-10- $\frac{1}{2}$ -\*-N" drawing above.

## Plug-in Connector Type

Mounting Surface:  
ISO 4401-AF-10-4-A

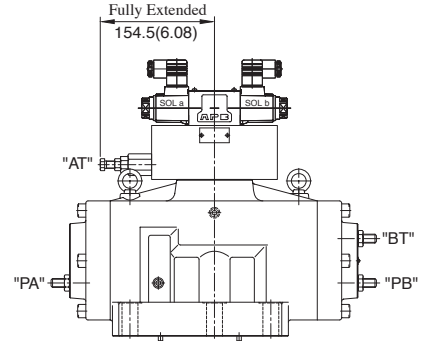
### DSLHG-10-4W-\*-N-13/1390



Model Numbers	Dimensions mm (Inches)	
	D	E
DSLHG-10-4W-A*-N	53 (2.09)	373.5 (14.70)
DSLHG-10-4W-D*-N	64 (2.52)	384.5 (15.14)
DSLHG-10-4W-R*-N	57.2 (2.25)	387.5 (15.26)

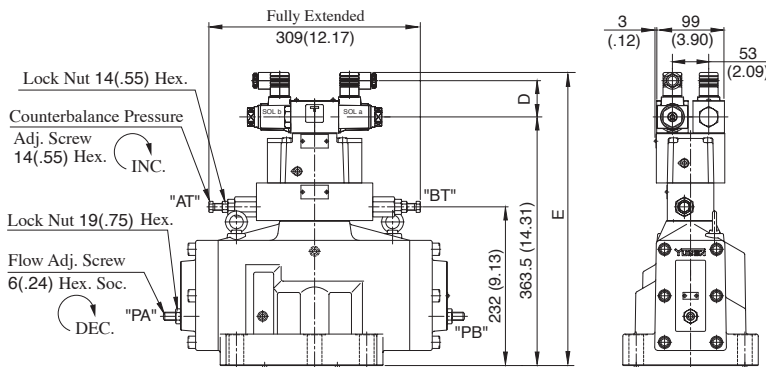
For other dimensions, see DSLHG-10- $\frac{1}{2}$ -\*-N on the [previous page](#).

### DSLHG-10-4A-\*-N-13/1390



For other dimensions, see  
"DSLHG-10-4W-\*-N" drawing left.

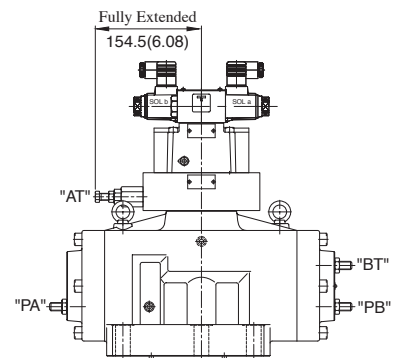
### DSLHG-10-5W-\*-N-13/1390



Model Numbers	Dimensions mm (Inches)	
	D	E
DSLHG-10-5W-A*-N	53 (2.09)	428.5 (16.87)
DSLHG-10-5W-D*-N	64 (2.52)	439.5 (17.30)
DSLHG-10-5W-R*-N	57.2 (2.25)	442.5 (17.42)

For other dimensions, see DSLHG-10- $\frac{1}{2}$ -\*-N on the [previous page](#).

### DSLHG-10-5A- \*-N-13/1390



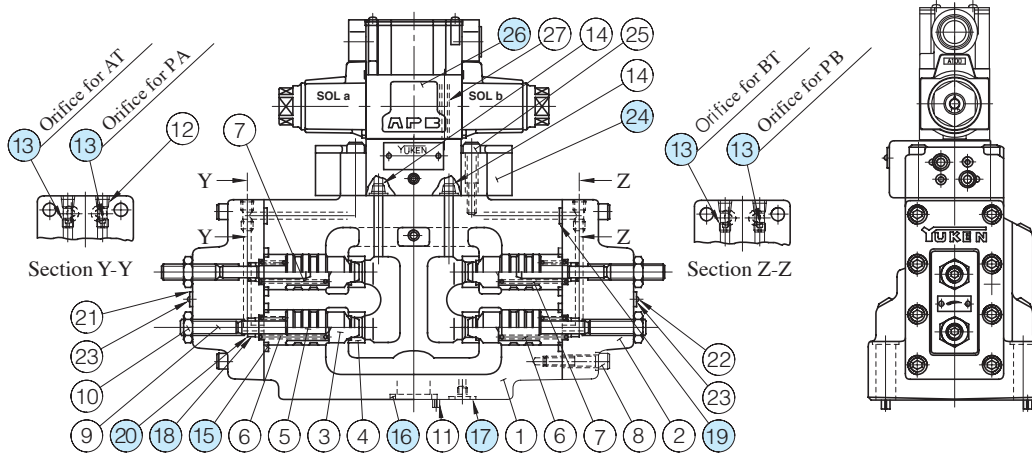
For other dimensions, see  
"DSLHG-10-5W-\*-N" drawing left.

**DIMENSIONS IN  
MILLIMETRES (INCHES)**

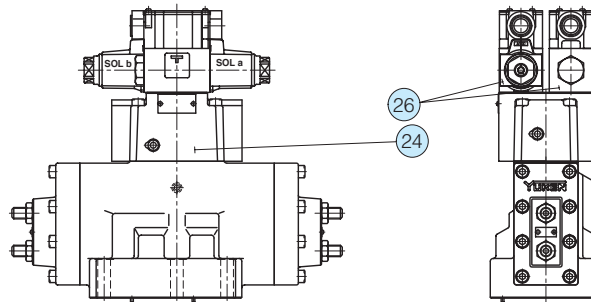


■ List of Seals for Main Valve, Pilot Selector Valve and Orifice

DSLHG-04/06/10- $\frac{1}{2}$ -\*-13/1390



DSLHG-04/06/10-3-\*-13/1390



Note) Main valve is same as above drawings.

● List of Seals for Main Valves

Item	Name of Parts	Part Numbers			Qty.
		DSLHG-04	DSLHG-06	DSLHG-10	
15	O-Ring	SO-NB-P22	SO-NB-G30	SO-NB-G40	4
16	O-Ring	SO-NB-P22	SO-NB-P30	SO-NB-P42	4
17	O-Ring	SO-NB-P9	SO-NB-P14	SO-NB-P14	2
18	O-Ring	SO-NA-P8	SO-NA-P10	SO-NA-P16	4
19	O-Ring	SO-NB-P8	SO-NB-P9	SO-NB-P11	4
20	Back Up Ring	SO-BB-P8	SO-BB-P10	SO-BB-P16	4

Note: When ordering the seals, please specify the seal kit number listed on page 478.

● Item 13 Orifice

The timing of flow path opening/closing can be adjusted as required by selecting the appropriate pilot orifice diameter. When the diameter of the orifice is to be changed, another orifice should be ordered. Standard built-in orifice diameters and selectable orifice diameters are listed in the table below.

Orifice Type	TP-OPT-1/16 x d			Max. Dia. at Pressure over 20 MPa(2900 PSI)
	Orifice Diameter "d" mm			
	Standard Built-in	Selectable		
DSLHG-04	1.0	0.5, 0.6, 0.8, 1.0		1.2
DSLHG-06	1.2	1.2, 1.4, 1.6, 1.8		
DSLHG-10	1.4	2.0, 2.5		1.4

● Item 24 Pilot Selector Valve List

Multi-Purpose Control Valve Model Numbers	24 Pilot Selector Valve Model Numbers
DSLHG-04-1	CG-04-1-10
DSLHG-04-2	CG-04-2-10
DSLHG-04-3	CG-04-3-10
DSLHG-06-1	CG-06-1-10
DSLHG-06-2	CG-06-2-10
DSLHG-06-3	CG-06-3-10
DSLHG-10-1	CG-06-1-10
DSLHG-10-2	CG-06-2-10
DSLHG-10-3	CG-06-3-10

Note: For details of Pilot Selector Valve, see page 476.

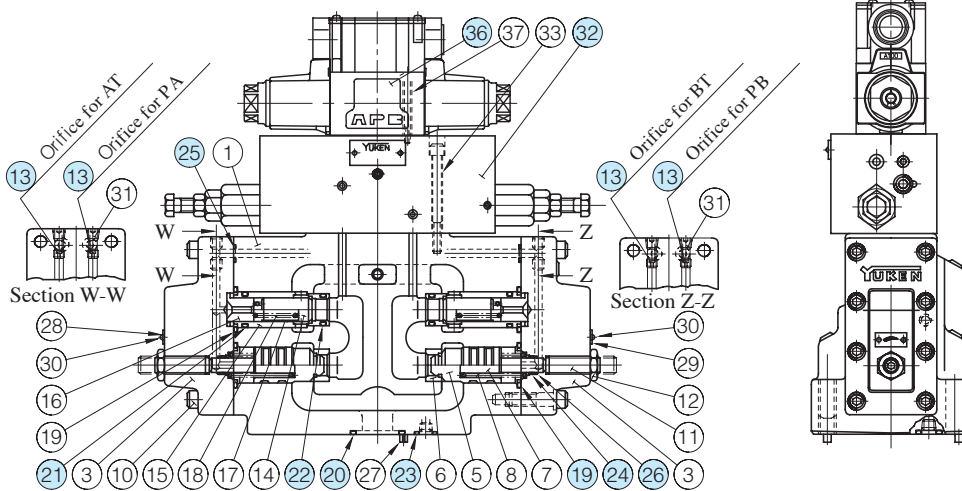
● Pilot Valve

Refer to page 478 for Pilot Valve Model Numbers.

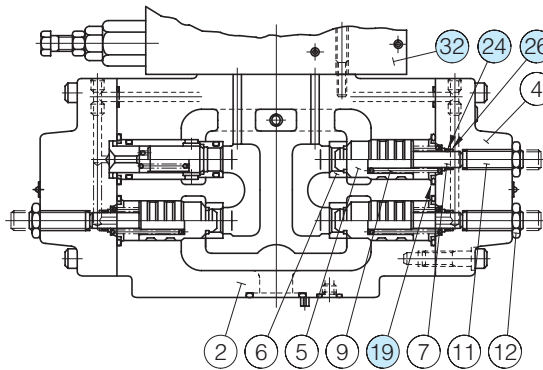


## List of Seals for Main Valves and Pilot Selector Valve

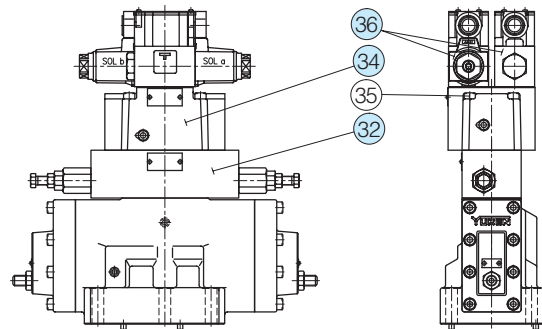
DSLHG-04/06/10-4W-\*-12/1290



DSLHG-04/06/10-4A  
5A-\*-12/1290



DSLHG-04/06/10-5W-\*-12/1290



Note) Main valve is the same as above drawings.

### List of Seals for Main Valves

Item	Name of Parts	Part Numbers			Qty.
		DSLHG-04	DSLHG-06	DSLHG-10	
19	O-Ring	SO-NB-P22	SO-NB-G30	SO-NB-G40	4
20	O-Ring	SO-NB-P22	SO-NB-P30	SO-NB-P42	4
21	O-Ring	SO-NB-P16	SO-NB-P22	SO-NB-P30	2(1)
22	O-Ring	SO-NB-P14	SO-NB-P20	SO-NB-A122	2(1)
23	O-Ring	SO-NB-P9	SO-NB-P14	SO-NB-P14	2
24	O-Ring	SO-NA-P8	SO-NA-P10	SO-NA-P16	2(3)
25	O-Ring	SO-NB-P8	SO-NB-P9	SO-NB-P11	4
26	Back Up Ring	SO-BB-P8	SO-BB-P10	SO-BB-P16	2(3)

Note 1: The figures in ( ) indicate the quantity of seals used for 4A and 5A.

Note 2: When ordering the seals, please specify the seal kit number listed on [page 478](#).

### Pilot Valve

Refer to [page 478](#) for Pilot Valve Model Numbers.

### Pilot Selector Valve List

Multi-Purpose Control Valve Model Numbers	Pilot Selector Valve Model Numbers	
	Item (32)	Item (34)
DSLHG-04-4A-■	CG-04-4A-■-10	—
DSLHG-04-4W-■	CG-04-4W-■-10	—
DSLHG-04-5A-■	CG-04-5A-■-10	CG-04-3-10
DSLHG-04-5W-■	CG-04-5W-■-10	
DSLHG-06-4A	CG-06-4A-10	—
DSLHG-06-4W	CG-06-4W-10	—
DSLHG-06-5A	CG-06-5A-10	CG-06-3-10
DSLHG-06-5W	CG-06-5W-10	
DSLHG-10-4A	CG-06-4A-10	—
DSLHG-10-4W	CG-06-4W-10	—
DSLHG-10-5A	CG-06-5A-10	CG-06-3-10
DSLHG-10-5W	CG-06-5W-10	

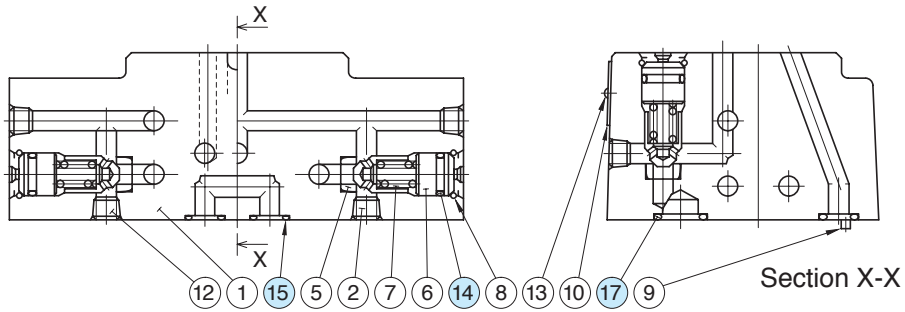
Note: Fill "B" or "H" representing the pressure adjustment range in section marked with ■.

See [page 477](#) for the details of the pilot selector valves.

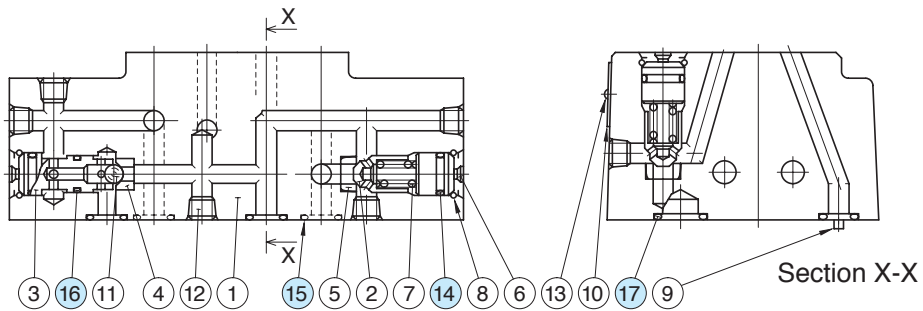
● See the [previous page](#) for Item (13) Orifice.

■ List of Seals (Pilot Selector Valves)

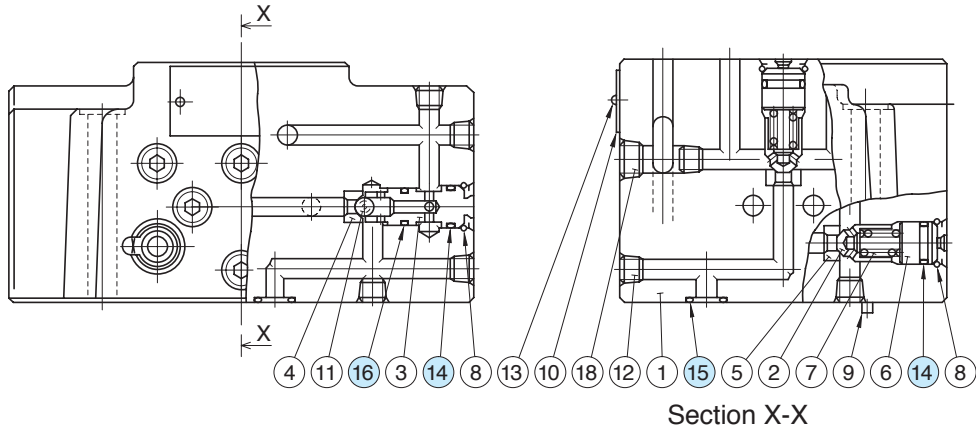
CG-04/06-1-10



CG-04/06-2-10



CG-04/06-3-10



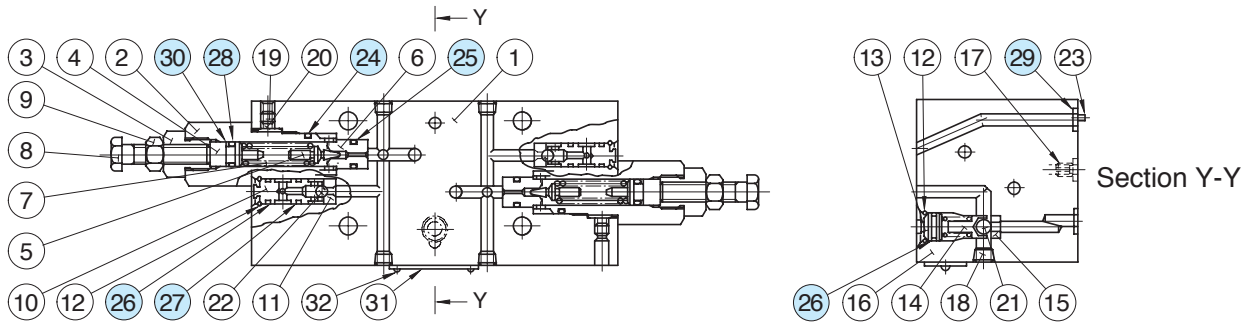
● List of Seals

Item	Name of Parts	CG-04					CG-06			
		Part Numbers	Quantity			Part Numbers	Quantity			
			CG-04-1	CG-04-2	CG-04-3		CG-06-1	CG-06-2	CG-06-3	
14	O-Ring	SO-NB-P10	3	5	5	SO-NB-P10	3	5	5	
15	O-Ring	SO-NB-P8	7	7	8	SO-NB-P9	7	7	8	
16	O-Ring	SO-NB-P8	—	2	2	SO-NB-P8	—	2	2	
17	O-Ring	SO-NB-P8	1	1	—	SO-NB-A014	1	1	—	

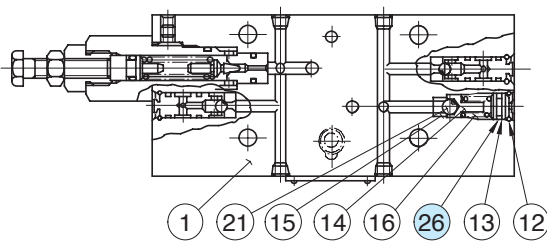
Note: When ordering the o-rings, please specify the seal kit number listed in [page 478](#).

## List of Seals (Pilot Selector Valves)

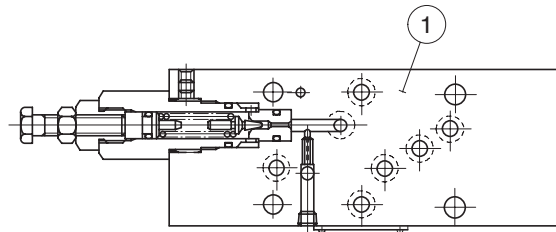
CG-04/06-4W-10



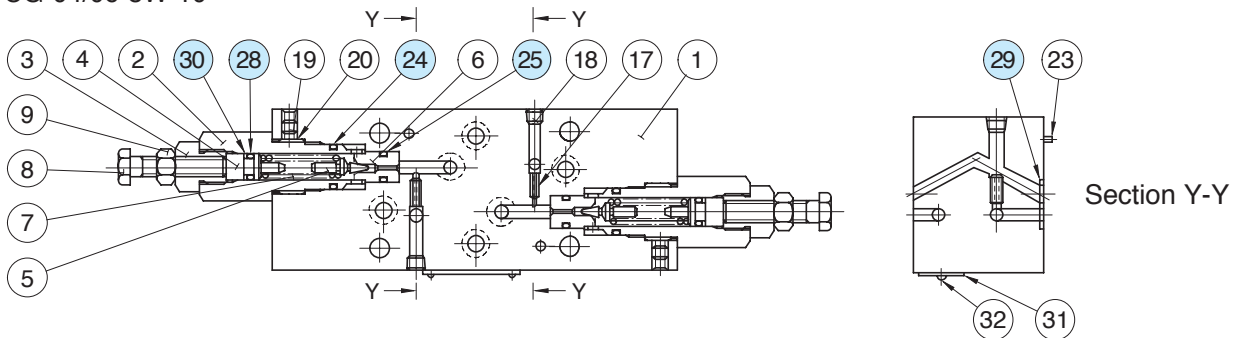
CG-04/06-4A-10



CG-04/06-5A-10



CG-04/06-5W-10



### List of Seals

Item	Name of Parts	CG-04				CG-06					
		Part Numbers	Quantity				Part Numbers	Quantity			
			-4W-	-4A-	-5W-	-5A-		-4W-	-4A-	-5W-	-5A-
24	O-Ring	SO-NB-P12	2	1	2	1	SO-NB-P16	2	1	2	1
25	O-Ring	SO-NB-P9	2	1	2	1	SO-NB-P11	2	1	2	1
26	O-Ring	SO-NB-P10	3	4	—	—	SO-NB-P10	3	4	—	—
27	O-Ring	SO-NB-P8	2	2	—	—	SO-NB-P8	2	2	—	—
28	O-Ring	SO-NA-P6	2	1	2	1	SO-NA-P9	2	1	2	1
29	O-Ring	SO-NB-P8	8	8	8	8	SO-NB-P9	8	8	8	8
30	Back Up Ring	SO-BB-P6	2	1	2	1	SO-BB-P9	2	1	2	1

Note: When ordering the seals, please specify the seal kit number listed in [page 478](#).

## List of Seal Kits and Pilot Valves

Model Numbers	Pilot Valve Model Numbers	Seal Kit Numbers		
		Complete Kit	For Pilot Selector Valves	For Pilot Valves
DSLHG-04-1★▲-13 DSLHG-04-1★▲-1390	DSG-01-3C9★▲-70 DSG-01-3C9★▲-7090	KS-DSLHG-04-1▲-13	KS-CG-04-1-10	KS-DSG-01-▲-70 (1 Set Req'd)
DSLHG-04-2★▲-13 DSLHG-04-2★▲-1390	DSG-01-3C9★▲-70 DSG-01-3C9★▲-7090	KS-DSLHG-04-2▲-13	KS-CG-04-2-10	
DSLHG-04-3★▲-13 DSLHG-04-3★▲-1390	DSG-01-2B2★▲-70 DSG-01-2B2★▲-7090	KS-DSLHG-04-3▲-13		KS-DSG-01-▲-70 (2 Set Req'd)
DSLHG-04-4A*★▲-13 DSLHG-04-4A*★▲-1390	DSG-01-3C9★▲-70 DSG-01-3C9★▲-7090	KS-DSLHG-04-4A▲-13	KS-CG-04-4A-10	KS-DSG-01-▲-70 (1 Set Req'd)
DSLHG-04-4W*★▲-13 DSLHG-04-4W*★▲-1390	DSG-01-3C9★▲-70 DSG-01-3C9★▲-7090	KS-DSLHG-04-4W▲-13	KS-CG-04-4W-10	
DSLHG-04-5A*★▲-13 DSLHG-04-5A*★▲-1390	DSG-01-2B2★▲-70 DSG-01-2B2★▲-7090	KS-DSLHG-04-5A▲-13	KS-CG-04-5A-10	KS-DSG-01-▲-70 (2 Set Req'd)
DSLHG-04-5W*★▲-13 DSLHG-04-5W*★▲-1390	DSG-01-2B2★▲-70 DSG-01-2B2★▲-7090	KS-DSLHG-04-5W▲-13	KS-CG-04-5W-10	
DSLHG-06-1★▲-13 DSLHG-06-1★▲-1390	DSG-01-3C9★▲-70 DSG-01-3C9★▲-7090	KS-DSLHG-06-1▲-13	KS-CG-06-1-10	KS-DSG-01-▲-70 (1 Set Req'd)
DSLHG-06-2★▲-13 DSLHG-06-2★▲-1390	DSG-01-3C9★▲-70 DSG-01-3C9★▲-7090	KS-DSLHG-06-2▲-13	KS-CG-06-2-10	
DSLHG-06-3★▲-13 DSLHG-06-3★▲-1390	DSG-01-2B2★▲-70 DSG-01-2B2★▲-7090	KS-DSLHG-06-3▲-13	KS-CG-06-3-10	KS-DSG-01-▲-70 (2 Set Req'd)
DSLHG-06-4A★▲-13 DSLHG-06-4A★▲-1390	DSG-01-3C9★▲-70 DSG-01-3C9★▲-7090	KS-DSLHG-06-4A▲-13	KS-CG-06-4A-10	KS-DSG-01-▲-70 (1 Set Req'd)
DSLHG-06-4W★▲-13 DSLHG-06-4W★▲-1390	DSG-01-3C9★▲-70 DSG-01-3C9★▲-7090	KS-DSLHG-06-4W▲-13	KS-CG-06-4W-10	
DSLHG-06-5A★▲-13 DSLHG-06-5A★▲-1390	DSG-01-2B2★▲-70 DSG-01-2B2★▲-7090	KS-DSLHG-06-5A▲-13	KS-CG-06-5A-10	KS-DSG-01-▲-70 (2 Set Req'd)
DSLHG-06-5W★▲-13 DSLHG-06-5W★▲-1390	DSG-01-2B2★▲-70 DSG-01-2B2★▲-7090	KS-DSLHG-06-5W▲-13	KS-CG-06-5W-10	
DSLHG-10-1★▲-13 DSLHG-10-1★▲-1390	DSG-01-3C9★▲-70 DSG-01-3C9★▲-7090	KS-DSLHG-10-1▲-13	KS-CG-06-1-10	KS-DSG-01-▲-70 (1 Set Req'd)
DSLHG-10-2★▲-13 DSLHG-10-2★▲-1390	DSG-01-3C9★▲-70 DSG-01-3C9★▲-7090	KS-DSLHG-10-2▲-13	KS-CG-06-2-10	
DSLHG-10-3★▲-13 DSLHG-10-3★▲-1390	DSG-01-2B2★▲-70 DSG-01-2B2★▲-7090	KS-DSLHG-10-3▲-13	KS-CG-06-3-10	KS-DSG-01-▲-70 (2 Set Req'd)
DSLHG-10-4A★▲-13 DSLHG-10-4A★▲-1390	DSG-01-3C9★▲-70 DSG-01-3C9★▲-7090	KS-DSLHG-10-4A▲-13	KS-CG-06-4A-10	KS-DSG-01-▲-70 (1 Set Req'd)
DSLHG-10-4W★▲-13 DSLHG-10-4W★▲-1390	DSG-01-3C9★▲-70 DSG-01-3C9★▲-7090	KS-DSLHG-10-4W▲-13	KS-CG-06-4W-10	
DSLHG-10-5A★▲-13 DSLHG-10-5A★▲-1390	DSG-01-2B2★▲-70 DSG-01-2B2★▲-7090	KS-DSLHG-10-5A▲-13	KS-CG-06-5A-10	KS-DSG-01-▲-70 (2 Set Req'd)
DSLHG-10-5W★▲-13 DSLHG-10-5W★▲-1390	DSG-01-2B2★▲-70 DSG-01-2B2★▲-7090	KS-DSLHG-10-5W▲-13	KS-CG-06-5W-10	

Note 1: Fill coil type (a symbol representing current/voltage) in section marked ★. Likewise, in section marked ▲, fill a symbol representing the type of electrical conduit connection (None: Terminal Box Type, N: Plug-in Connector Type).

2: A complete seal kit is composed of seal kit for pilot selector valve, seal kit for pilot valve and seal for main valve.

See pages 474 and 475 for information on the seals for main valve.

3: See page 344 for the detailed information on the pilot valves.

## How to Change Pilot & Drain Connection

Pilot Connection and Drain Connection can be changed easily with a disconnection/connection of pilot plug. The following drawings give illustrations of External Pilot-External Drain Type, When changing to Internal Pilot-Internal Drain Type, the following procedure may be followed.

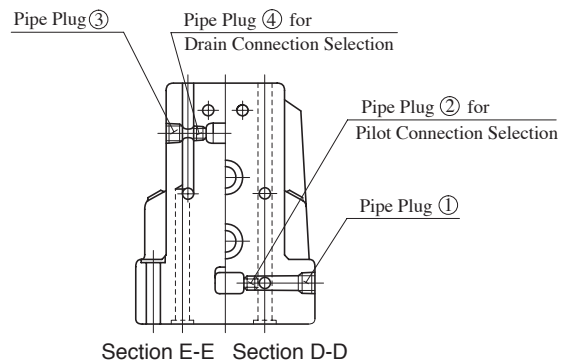
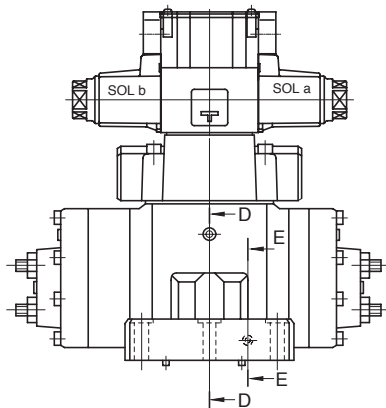
### External Pilot → Internal Pilot (See Section E-E)

- 1) Remove pipe plug ①.
- 2) Remove pipe plug ②.
- 3) Wind a sealing tape around the pipe plug ①, then fit the plug into the port.

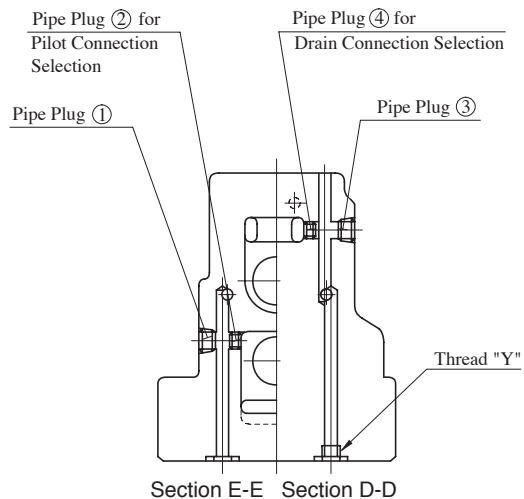
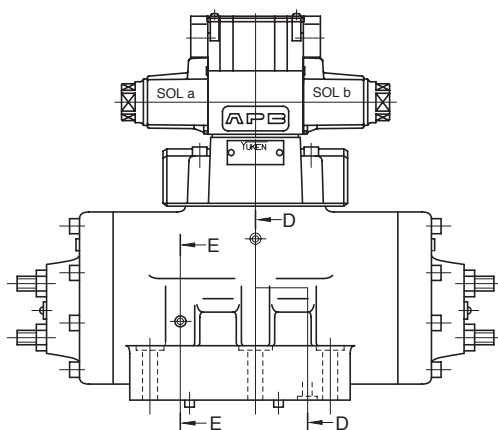
### External Drain → Internal Drain (See Section D-D)

- 1) Remove pipe plug ③.
- 2) Remove pipe plug ④.
- 3) Wind a sealing tape around the pipe plug ③, then fit the plug into the port.
- 4) In case of DSLHG-04, fit the plug into the port "Y" on the sub-plate. In case of DSLHG-06/10, wind a sealing tape around the plug ④ and then thread it into the port "Y".

DSLHG-04



DSLHG-06/10



## Solenoid Operated Poppet Type Two-Way Valves

These valves are used for opening/closing the oil path by having the poppet valve operated with an electric signal via solenoid. Because these are of poppet type, the internal leakage is quite small and there is no worry about hydraulic lock.

### Specifications

Model Numbers	Max. Flow L/min (U.S.GPM)	Max. Operating Pressure MPa (PSI)	Internal leakage cm <sup>3</sup> /min (cu.in./min)	Max. Changeover Frequency min <sup>-1</sup> (Cycles/Min)	Approx. Mass kg(1bs.)
CDSC-01-C-D24-10*	15 (4.0)	21 (3050)* <sup>2</sup>	or less 0.25 (.015)	240	0.35 (.8)
CDSC-03-C-* <sup>-</sup> 21*	50 (13.2)	14 (2030)	or less 0.25 (.015)	AC: 300 DC: 240 R: 120	0.5 (1.1)
CDST- <sup>03W</sup> <sub>03</sub> -C-* <sup>-</sup> 21*					0.85 (1.9)
CDSG-03-C-* <sup>-</sup> 21*					0.85 (1.9)

- ★ 1. The maximum flow means the limited flow without inducing any abnormality to the operation (changeover) of the valve.
- ★ 2. When the valve is operated at 18.5 Mpa (2680 PSI) or higher pressure, continuous energies time is restricted with Max. 30 min., and also the energies ratio less than 90 %.

### Solenoid Ratings

Electric Source	Coil Type	Frequency (Hz)	Voltage (V)		Current & Power at Rated Voltage				
			Source Rating	Serviceable Range	Inrush (A)	Holding (A)	Power (W)		
AC	A100	50	100	80 - 100	1.12	0.55	—		
		60	100	90 - 120	0.95	0.40			
	A120	50	120		96 - 132	0.93		0.46	
		60		108 - 144	0.79	0.33			
	A200	50	200	160 - 220	0.56	0.28			
		60	200	180 - 240	0.48	0.20			
	A240	50	240		192 - 264	0.47		0.23	
		60		216 - 288	0.40	0.17			
	DC (K Series)	D12	—	12	10.8 - 13.2	—		2.20	26
		D24★		24	21.6 - 26.4			1.10	
D48		48		43.2 - 52.8	0.55				
AC→DC Rectified	R100	50/60	100	90 - 110	—	0.30	26		
	R200		200	180 - 220		0.15			

- ★ CDSC-01 is available with coil type "D24" only.
- Because both AC and DC solenoids employ the plug-in type electrical wiring, the valve can be removed without removing the wiring. (Coil type of CDSC-01 is flying lead wire only.)
- Being 50-60 Hz common service AC solenoids, do not require rewiring when the applied frequency is changed.
- K-Series DC Solenoid which has a reputation for excellent DC control is employed. (Coil type of CDSC-01 is with Surge Suppressor.)

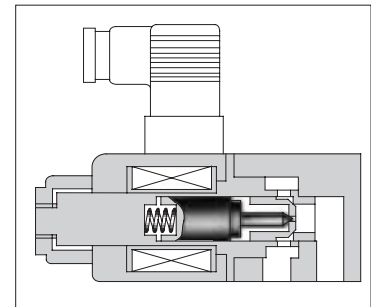
### Model Number Designation

F-	CDS	T	-03	-C	-D12	-21	*
Special Seals	Series Number	Type of Connection	Valve Size	Valve Type	Coil Type	Design Number	Design Standard
F: Special seals for phosphate ester type fluids (Omit if not required)	CDS: Solenoid Operated Poppet Type Two-Way Valves	C: Cartridge Type	01	C: Normally Closed	DC D24	10	None: Japanese Std. "JIS" & European Design Std. 90: N. American Design Std.
		T: Threaded Connection	03		AC A100, A120 A200, A240	21	None: Japanese Std. "JIS" 80: European Design Std. 90: N. American Design Std.
			G: Gasket Mounting		03W (Piping Size 1/4) 03 (Piping Size 3/8)	DC D12, D24, D100 AC→DC Rectified R100, R200	21

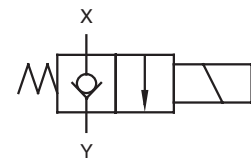
### Mounting Bolts

Mounting bolt in the table below is attached only for Gasket mounting type valve (CDSG-03).

Valve Model Numbers	Socket Head Cap Screws (2pcs.)	
	Japanese Standard "JIS" European Design Standard	N. American Design Standard
CDSG-03	M6 × 60 Lg.	1/4-20 UNC × 2-1/4Lg.



Graphic Symbol

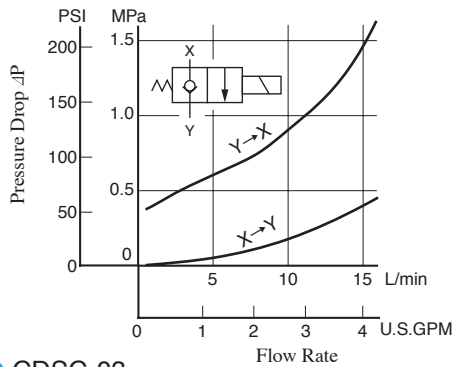


### Instructions

- **Direction of flow when the solenoid is energised**  
These valves do not allow flow from Y to X when the solenoid is energised.
- **At the time of test run**  
At the time of test run, there is a possibility that the oil may not flow even after the solenoid is energised because of the residual air in the valve.
- **Mounting**  
There are no mounting restrictions for any models.

## Pressure Drop

- **CDSC-01** Hydraulic Fluid: Viscosity 30 mm<sup>2</sup> (141 SSU), Specific Gravity 0.850



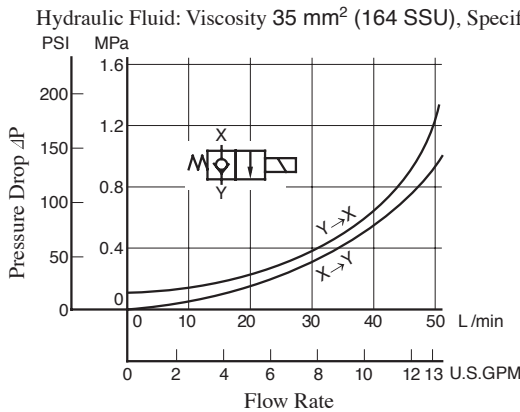
- For any other viscosity, multiply the factors in the table below.

Viscosity	mm <sup>2</sup> /s	15	20	30	40	50	60	70	80	90	100
	SSU	77	98	141	186	232	278	324	371	417	464
Factor		0.84	0.91	1.00	1.07	1.14	1.19	1.24	1.28	1.32	1.35

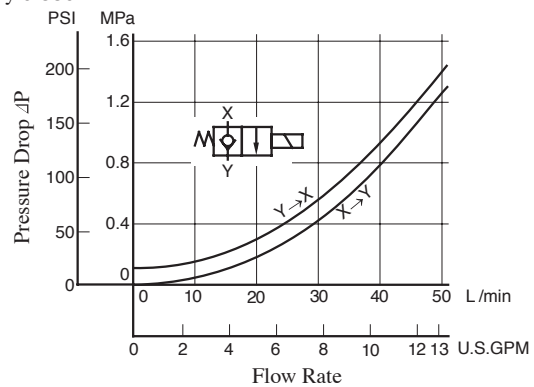
- For any other specific gravity (G'), the pressure drop (ΔP') may be obtained from the formula below.

$$\Delta P' = \Delta P (G'/0.850)$$

- **CDSC-03**
- **CDST-03**
- **CDSG-03**



- **CDST-03W**



Note: Measuring has been made for the CDSC-03 (Cartridge type) when it is equipped with the same body as the threaded connections and the gasket mounting type.

- For any other viscosity, multiply the factors in the table below.

Viscosity	mm <sup>2</sup> /s	15	20	30	40	50	60	70	80	90	100
	SSU	77	98	141	186	232	278	324	371	417	464
Factor		0.81	0.87	0.96	1.03	1.09	1.14	1.19	1.23	1.27	1.30

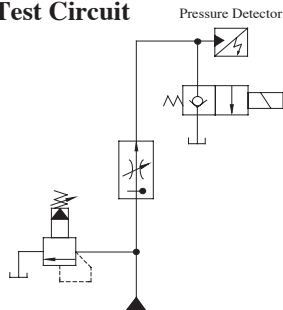
- For any other specific gravity (G'), the pressure drop (ΔP') may be obtained from the formula below.

$$\Delta P' = \Delta P (G'/0.850)$$

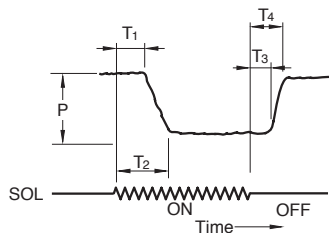
## Changeover Time

Changeover time, T<sub>2</sub> and T<sub>4</sub>, in particular, varies according to the hydraulic circuit and operating conditions. As an example, the following figures show how the measurement is made.

- **Test Circuit**



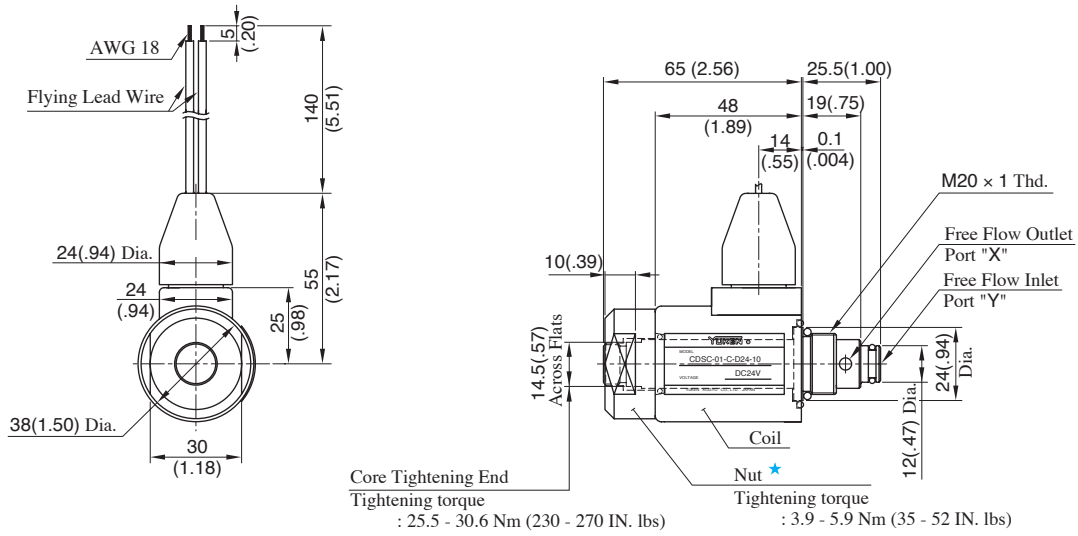
- **Result of measurement**



Model Number	Solenoid Types	Condition		Shifting time (ms)			
		Pressure "P" MPa (PSI)	Flow Rate L/min (U.S.GPM)	SOL "ON"(Open→Close)		SOL "OFF"(Open→Close)	
				T <sub>1</sub>	T <sub>2</sub> (ex.)	T <sub>3</sub>	T <sub>4</sub> (ex.)
CDSC-01	DC	10 (1450)	15 (4.0)	21.4	44.0	29.0	38.4
		21 (3050)	15 (4.0)	30.6	47.0	27.0	44.0
CDS*-03	AC	7 (1020)	50 (13.2)	10.0	86.0	20.0	44.0
		14 (2030)	50 (13.2)	11.0	43.0	12.0	54.0
	DC	7 (1020)	50 (13.2)	22.0	104.0	44.0	66.0
		14 (2030)	50 (13.2)	24.0	60.0	41.0	73.0
AC→DC Rectified	7 (1020)	50 (13.2)	27.0	100.0	114.0	146.0	
	14 (2030)	50 (13.2)	32.0	66.0	108.0	142.0	

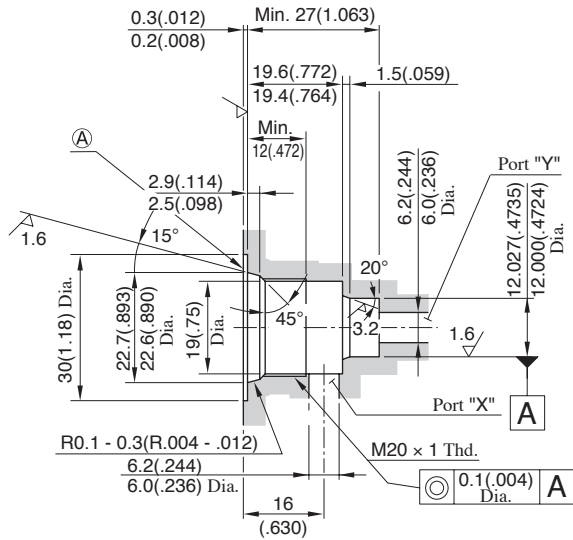


CDSC-01-C-D24-10/1090



DIMENSIONS IN MILLIMETRES (INCHES)

Details of Mounting Holes



Note: The fitting portion of o-rings should have a good machined finish.

How to Mount

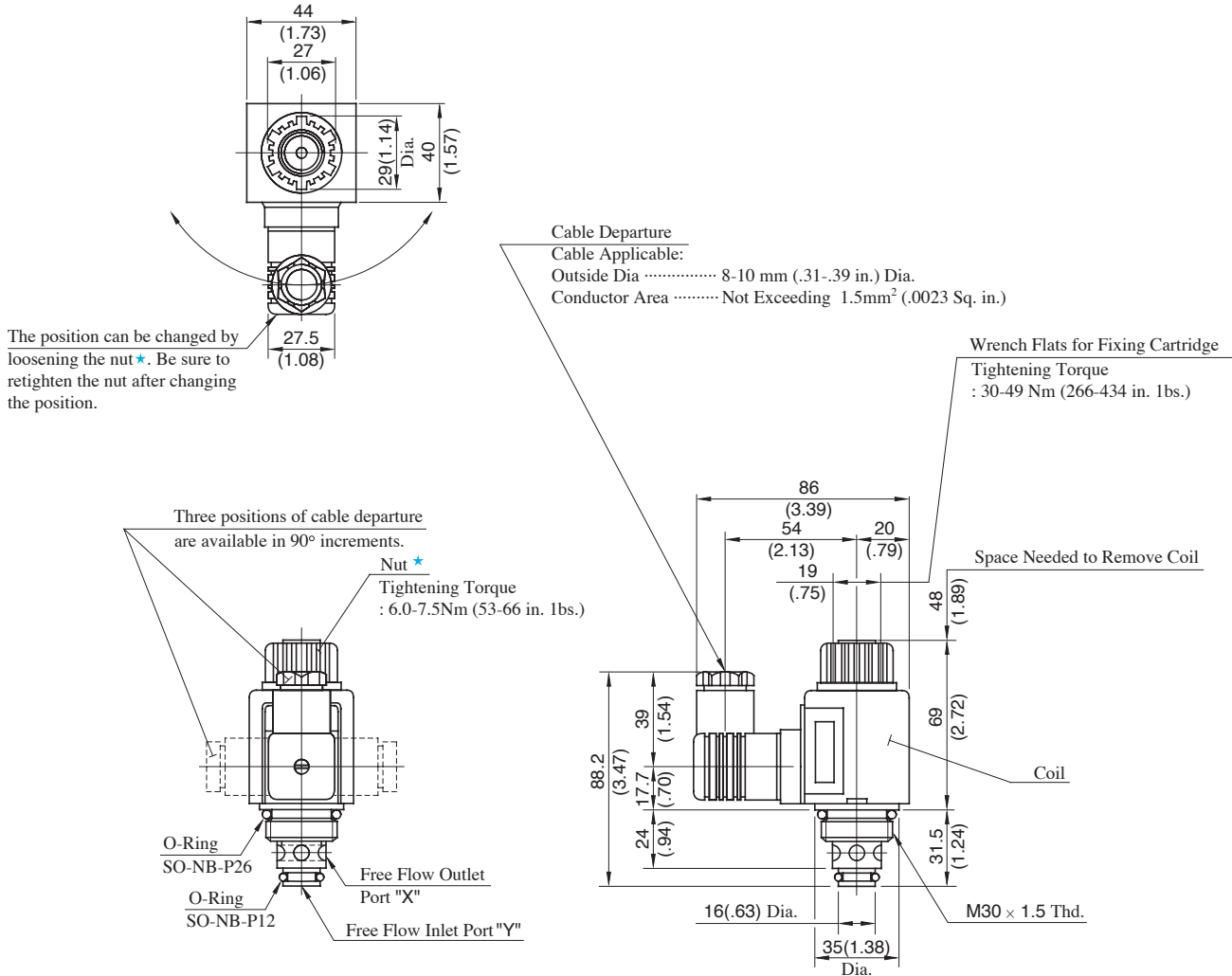
When mounting, the following steps must be followed:

1. Loosen the nut★, then remove the coil.
2. Thread the cartridge, making sure that the collar 24 (.94) Dia. of the cartridge is well fitted to the component surface (A surface in the left drawing).
3. Attach the coil and secure it with a nut.



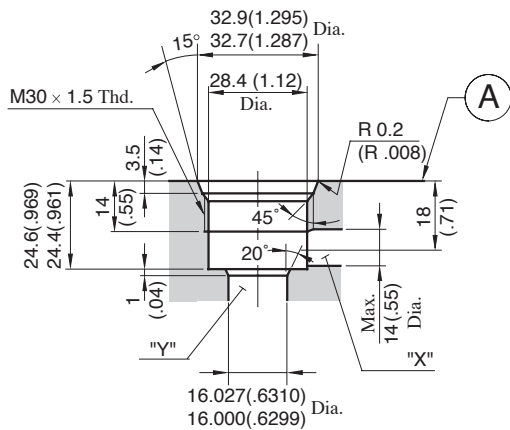
CDSC-03-C-A\*-21/2190

## Models with AC Solenoids



DIMENSIONS IN MILLIMETRES (INCHES)

## Details of Mounting Holes



## How to Mount

When mounting, the following steps must be followed:

1. Loosen the nut  $\star$ , then remove the coil.
2. Thread the cartridge, making sure that the collar 35 (1.38) Dia. of the cartridge is well fitted to the component surface (**A** surface in the left drawing).
3. Attach the coil and secure it with a nut.

Note: The fitting portion of O-rings should have a good machined finish.

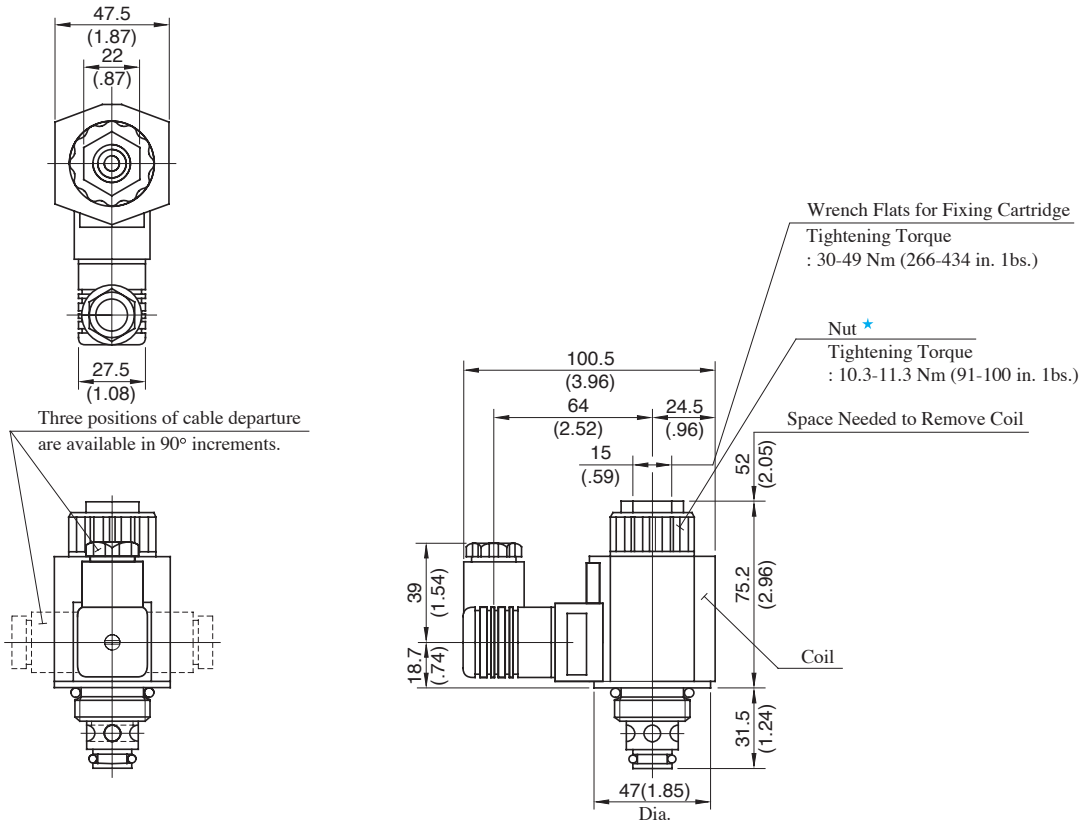
E



Solenoid Operated Poppet Type Two-Way Valves

CDSC-03-C-D\*-21/2190

**Models with DC Solenoids**

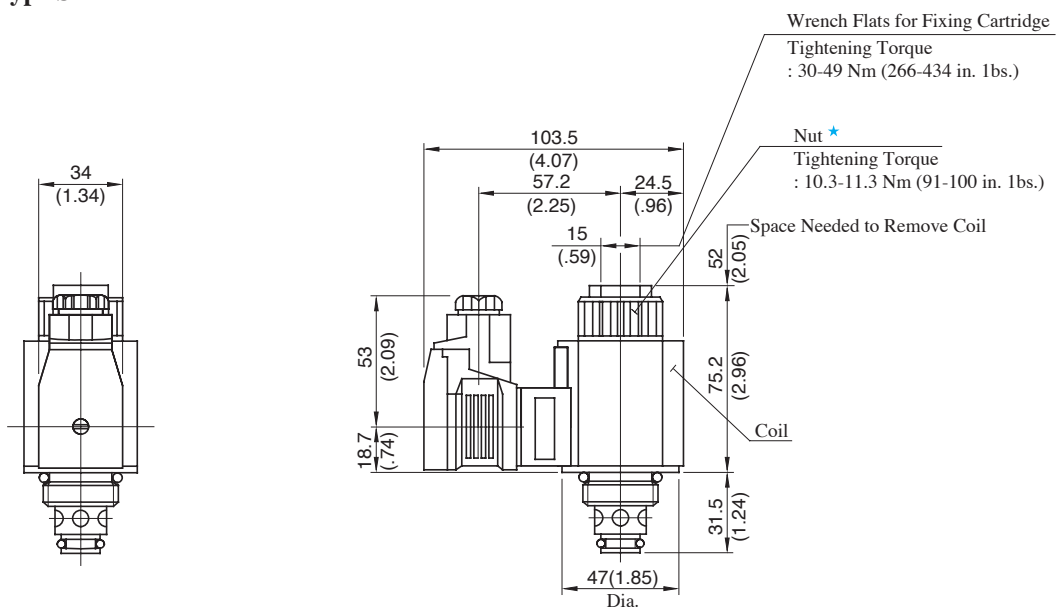


For other dimensions, refer to the "Models with AC Solenoids".

**DIMENSIONS IN MILLIMETRES (INCHES)**

CDSC-03-C-R\*-21/2190

**Models with R Type Solenoids**

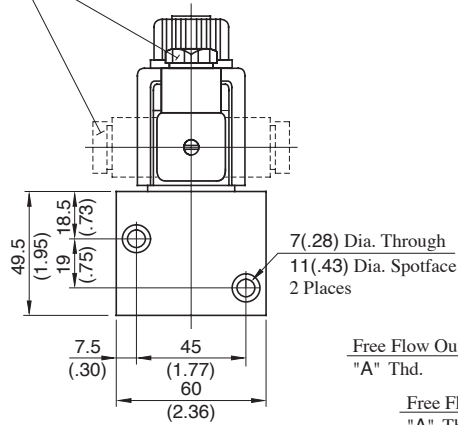


For other dimensions, refer to the "Models with AC Solenoids".

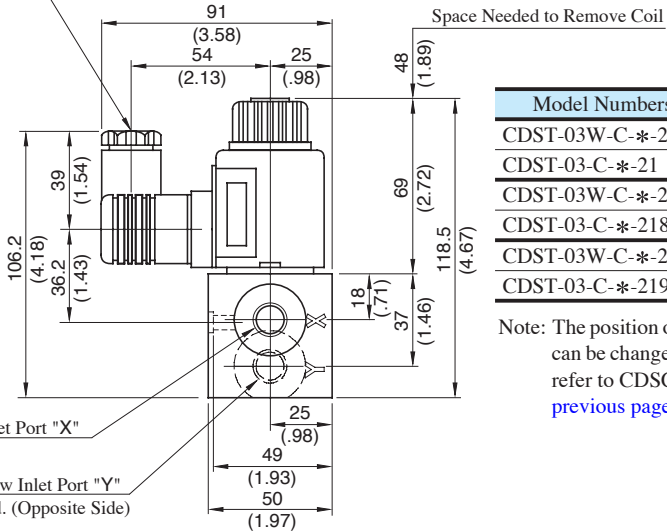
## CDST-03, 03W-C-\* -21/2180/2190

### Models with AC Solenoids

Three positions of cable departure are available in 90° increments.



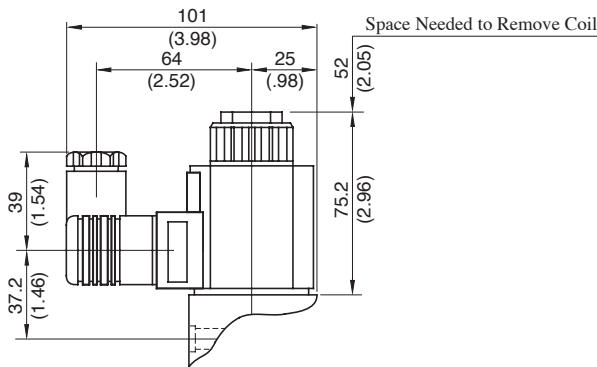
Cable Departure  
Cable Applicable:  
Outside Dia ..... 8-10 mm (.31-.39 in.) Dia.  
Conductor Area ..... Not Exceeding 1.5mm<sup>2</sup> (.0023 Sq. in.)



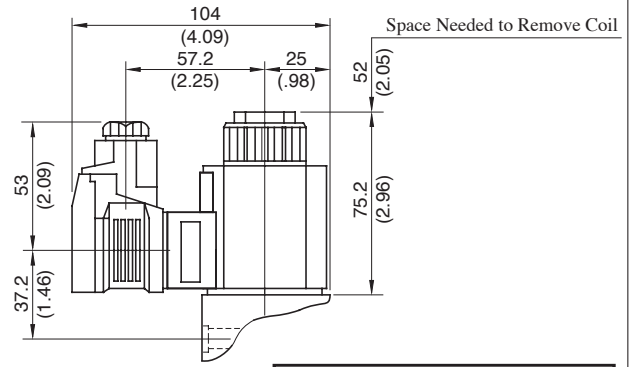
Model Numbers	"A" Thd.
CDST-03W-C-* -21	Rc 1/4
CDST-03-C-* -21	Rc 3/8
CDST-03W-C-* -2180	1/4 BSP.F
CDST-03-C-* -2180	3/8 BSP.F
CDST-03W-C-* -2190	1/4 NPT
CDST-03-C-* -2190	3/8 NPT

Note: The position of cable departure can be changed. For the detail, refer to CDSC-03 on the [previous page](#).

### Models with DC Solenoids



### Models with R Type Solenoids



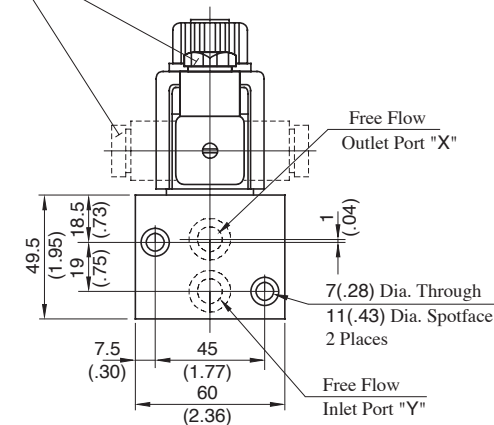
For other dimensions, refer to the "Models with AC Solenoids".

**DIMENSIONS IN MILLIMETRES (INCHES)**

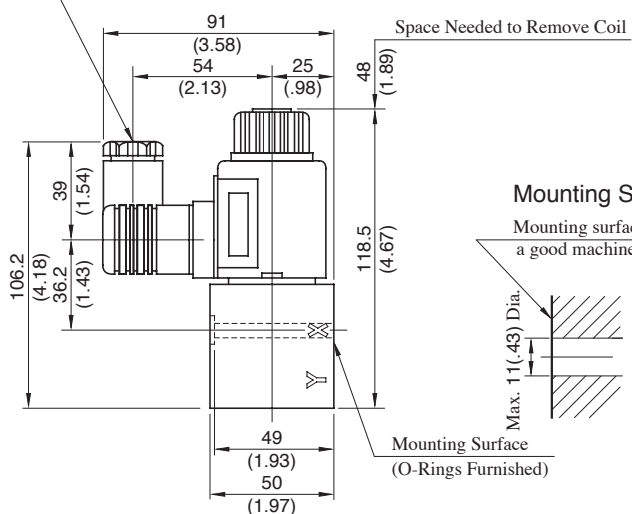
## CDSG-03-C-\* -21/2190

### Models with AC Solenoids

Three positions of cable departure are available in 90° increments.

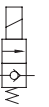


Cable Departure  
Cable Applicable:  
Outside Dia ..... 8-10 mm (.31-.39 in.) Dia.  
Conductor Area ..... Not Exceeding 1.5mm<sup>2</sup> (.0023 Sq. in.)



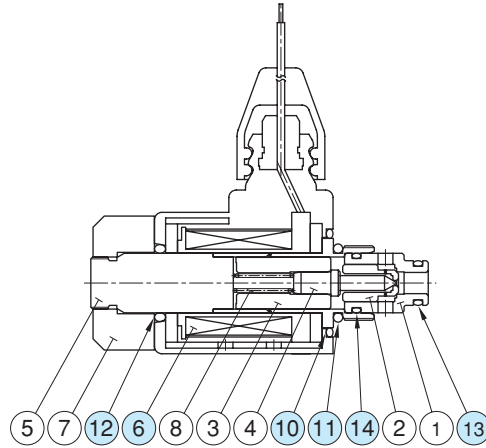
Note 1: For models with DC solenoids and models with R type solenoids, refer to CDST-03, 03W.

Note 2: The position of cable departure can be changed. For the detail, refer to CDSC-03 on the [previous page](#).



■ List of Seals and Coil Ass'y

CDSC-01-C-D24-10/1090

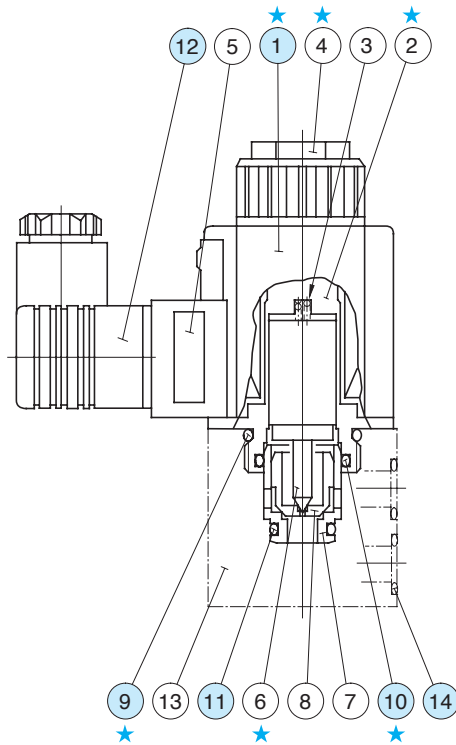


Item	Name of Parts	Part Numbers	Qty.	Seal Kit Numbers
6	Coil Ass'y	2697-VK317470-3	1	—————
10	O-Ring	TK280163-7	1	KS-CDSC-01-10
11	O-Ring	SO-NB-P18	1	
12	O-Ring	SO-NB-P16	1	
13	O-Ring	SO-NB-P9	1	
14	O-Ring	SO-NB-A014	1	

Note: When ordering the seals, please specify the seal kit number.

## List of Seals, Solenoid Ass'y, Coil Ass'y and Connector Ass'y

CDST-03\*-C-\* -21/2180/2190  
 CDSC-03-C-\* -21/2190  
 CDSG-03-C-\* -21/2190



Solenoid assembly is composed of the parts marked with ★.

### List of Seals

Item	Name of Parts	Part Numbers	Qty.	Remarks
9	O-Ring	SO-NB-P26	1	_____
10	O-Ring	SO-NB-P20	1	_____
11	O-Ring	SO-NB-P12	1	_____
14	O-Ring	SO-NB-A014	2	only for CDSG

### List of Seal Kits

Valve Model Numbers	Seal Kit Numbers
CDSC-03-C-* -21*	KS-CDSC-03-20
CDST-03*-C-* -21*	
CDSG-03-C-* -21*	KS-CDSG-03-20

Note: When ordering the seals, please specify the seal kit number from the table right.

### Solenoid Ass'y, Coil Ass'y and Connector Ass'y No.

Valve Model No.	Solenoid Ass'y No.	① Coil No.	② Connector Ass'y No.
CDS*-03*-C-A100	CSA1-100-20	C-CSA1-100-20	GDM-211-B-11
CDS*-03*-C-A120	CSA1-120-20	C-CSA1-120-20	
CDS*-03*-C-A200	CSA1-200-20	C-CSA1-200-20	
CDS*-03*-C-A240	CSA1-240-20	C-CSA1-240-20	
CDS*-03*-C-D12	CSD1-12-20	C-SD1-12-50	GDM-211-B-11
CDS*-03*-C-D24	CSD1-24-20	C-SD1-24-50	
CDS*-03*-C-D48	CSD1-48-20	C-SD1-48-50	
CDS*-03*-C-R100	CSR1-100-20	C-SR1-100-50	GDME-211-R-B-10
CDS*-03*-C-R200	CSR1-200-20	C-SR1-200-50	

### Change of supply voltage

The supply voltage can be changed by replacing the coil.



■ **Interchangeability between Current and New Design**

Because of solenoid assembly improvements, CDS\*-03\* has been model-changed (design 20 to design 21).

● **Specifications and Characteristics**

There are no changes in the specifications and characteristics of the valves themselves.

● **Solenoid Ratings**

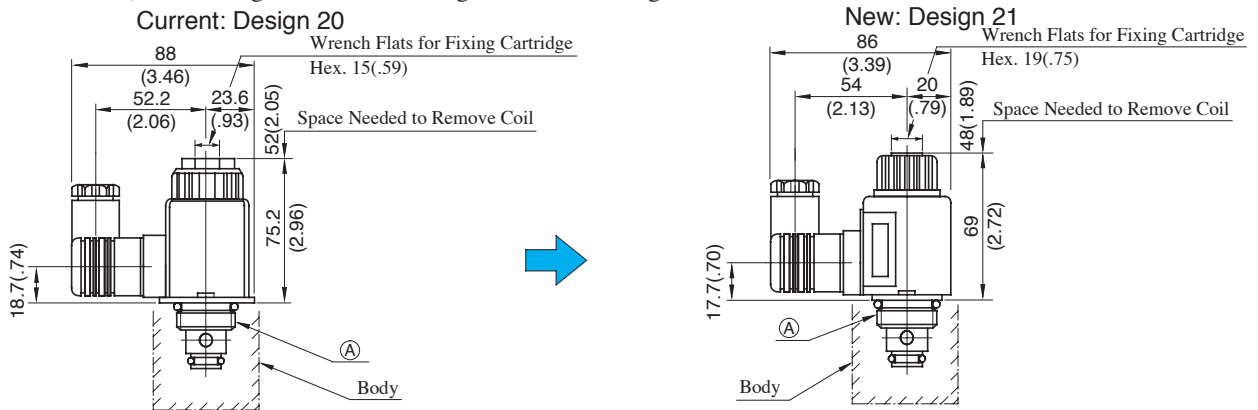
There are changes in the inrush current, holding current and power as shown below. No other changes.

Electric Source	Coil Type	Frequency (Hz)	Voltage (V)		Current & Power at Rated Voltage					
			Source Rating	Serviceable Range	Inrush (A)		Holding (A)		Power (W)	
					New	Current	New	Current	New	Current
AC	A100	50	100	80 - 110	1.12	1.30	0.55	0.52	—	—
		60	100	90 - 120	0.95	1.08	0.40	0.39		
			110		0.86	1.19	0.36	0.47		
	A120	50	120	96 - 132	0.93	1.08	0.46	0.45		
		60		108 - 144	0.79	0.98	0.33	0.33		
	A200	50	200	160 - 220	0.56	0.65	0.28	0.27		
			200	180 - 240	0.48	0.54	0.20	0.20		
		220	0.43		0.59	0.18	0.24			
A240	50	240	192 - 264	0.47	0.55	0.23	0.23			
	60		216 - 288	0.40	0.45	0.17	0.17			
DC (K Series)	D12	—	12	10.8 - 13.2	—	—	2.20	2.40	26	29
	D24	—	24	21.6 - 26.4	—	—	1.10	1.20		
	D48	—	48	43.2 - 52.8	—	—	0.55	0.60		
AC→DC Rectified	R100	50/60	100	90 - 110	—	—	0.30	0.32	26	29
	R200	—	200	180 - 220	—	—	0.15	0.17		

● **Interchangeability in Installation**

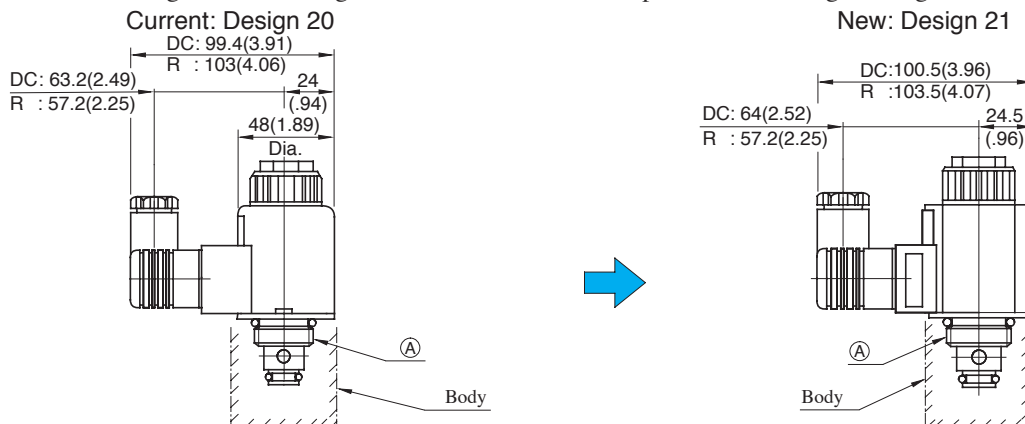
● **AC Solenoids**

Most items of mounting are interchangeable except the dimensions as shown below. In addition, the size of the spanner (core end faces) for locking the CDSC cartridges has been changed to 15-19 mm across flats.



● **DC/R Type Solenoids**

Most items of mounting are interchangeable except the dimensions as shown below. The solenoid shape changed from circular to hexagonal. No change in the size 15 mm of the spanner for locking cartridges.

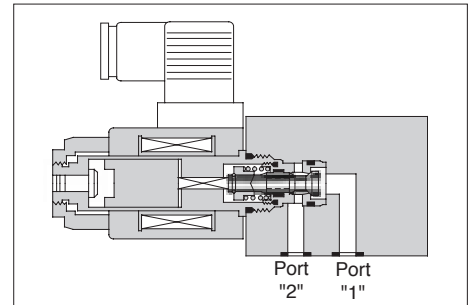


Note: The above drawings give illustrations for the cartridge type. The dimension (A) at the mounting section remains unchanged. In case of the Thread Connection Type and Gasket Mounting Type, a body is mounted to the hatched section. The dimensions of the body remain unchanged.

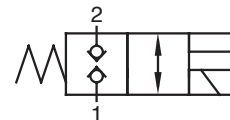
## Shut-off Type Solenoid Operated Directional Valves

The shut-off type solenoid operated directional valves are poppet type solenoid operated two-way directional valves developed to meet the needs of this age such as energy and resources saving.

- **High-response**  
High response is provided by the poppet design.
- **Smallest internal leakage**  
Internal leakage are very small, less than 5 drips per min., which is achieved by the poppet design.
- **Two mounting types: cartridge and sub-plate**  
Mounting dimensions for both types conform to ISO standard.
- **Water-proof type (conforming to JIS D 0203 Water Spray Test 32) is also available.**



Graphic Symbol



### Specifications

Model Numbers	Max. Flow <sup>★1</sup> L/min (U.S.GPM)	Max. Operating Pressure			Max. Changeover Frequency min <sup>-1</sup> (Cycles/Min)	Internal leakage cm <sup>3</sup> /min (cu.in./min)	Approx. Mass kg(1bs.)	
		Port "1" <sup>★2</sup>		Port "2"			AC	DC
		"1" to "2" Flow	"2" to "1" Flow					
DSPC-01-C-*-20* <sup>★3</sup> <sup>★4</sup>	40 (10.6)	10 (1450)	16 (2320)	25 (3630)	300	or Less 0.25 (.015)	0.45 (1.0)	0.6 (1.3)
DSPG-01-C-*-20* <sup>★3</sup>							1.45 (3.2)	1.6 (3.5)
DSPC-03-C-*-10* <sup>★3</sup>	80 (21.1)	10 (1450)	16 (2320)	25 (3630)	240	or Less 0.25 (.015)	0.9 (2.0)	1.0 (2.2)
DSPG-03-C-*-10* <sup>★3</sup>							3.8 (8.4)	3.9 (8.6)

- ★1. Maximum flow rates depend on operating conditions. For details, see [page 491](#).
- ★2. Do not connect port "1" to a line subjected to surge pressures. In addition, if you use port "1" for tank line, be sure to keep the end of the line in the oil.
- ★3. Protections against dust and water conform to the international electric standard (IEC) PUBL 529 IP64.
- ★4. In the case of "DSPC-01-C-D\*", use iron material for installation body (cavity).

E  
Shut-off Type Solenoid Operated Directional Valves

## Model Number Designation

F-	DSP	G	-01	-C	-D24	-20	*
Special Seals	Series Number	Type of Connection	Valve Size	Valve Type	Coil Type	Design Number	Design Standard
<b>F:</b> Special Seals for Phosphate Ester Type Fluids (Omit if not required)	<b>DSP:</b> Shut-Off Type Solenoid Operated Directional Valves	<b>C:</b> Cartridge Type <b>G:</b> Sub-plate Mounting	01	<b>C:</b> Normally Closed	AC <b>A 100</b> <b>A 200</b>	20	<b>None:</b> Japanese Std. "JIS" & European Design Std. <b>90:</b> N. American Design Std.
			03		DC <b>D12</b> <b>D24</b>	10	

## Solenoid Ratings

Electric Source	Coil Type	Frequency (Hz)	Voltage (V)		Current & Power at Rated Voltage					
			Source Rating	Serviceable Range	Inrush (A) <sup>★1</sup>		Holding (A)		Power (W)	
					01	03	01	03	01	03
AC	A100	50	100	80 - 110	2.42	5.37	0.51	0.90	—	—
			100	90 - 120	2.14	4.57	0.37	0.63		
		110			2.35	5.03	0.44	0.77		
	A200	50	200	160 - 220	1.21	2.69	0.25	0.45		
			200	180 - 240	1.07	2.29	0.19	0.31		
		220			1.18	2.52	0.22	0.38		
DC <sup>★2</sup> (K Series)	D12	—	12	10.8 - 13.2	—	—	2.45	3.16	29	38
	D24	—	24	21.6 - 26.4	—	—	1.23	1.57		

★1. Inrush current in the above table show rms values at maximum stroke.

★2. K-Series DC Solenoid which has a reputation for excellent DC control is employed.

## Sub-plate

Model Numbers	Japanese Standard "JIS"		European Design Standard		N.American Design Standard		Approx. Mass kg (lbs.)
	Sub-plate Model Numbers	Thread Size	Sub-plate Model Numbers	Thread Size	Sub-plate Model Numbers	Thread Size	
DSPG-01	DSGM-01-31	Rc 1/8	DSGM-01-3180	1/8 BSP.F	DSGM-01-3190	1/8 NPT	0.8 (1.8)
	DSGM-01X-31	Rc 1/4	DSGM-01X-3180	1/4 BSP.F	DSGM-01X-3190	1/4 NPT	0.8 (1.8)
	DSGM-01Y-31	Rc 3/8	—	—	DSGM-01Y-3190	3/8 NPT	0.8 (1.8)
DSPG-03	DSGM-03-40	Rc 3/8	DSGM-03-2180	3/8 BSP.F	DSGM-03-2190	3/8 NPT	3.0 (6.6)
	DSGM-03X-40	Rc 1/2	DSGM-03X-2180	1/2 BSP.F	DSGM-03X-2190	1/2 NPT	3.0 (6.6)
	DSGM-03Y-40	Rc 3/4	DSGM-03Y-2180	3/4 BSP.F	DSGM-03Y-2190	3/4 NPT	4.7 (10.4)

● Sub-plates are available. Specify the sub-plate model number from the table above. When sub-plates are not used, the mounting surface should have a good machined finish.

## Mounting Bolts

Four socket head cap screws in the table below are included.

Valve Model Numbers	Descriptions	Soc. Hd. Cap Screw (4 pcs.)	Tightening Torque
DSPG-01	Japanese Standard "JIS" and European Design Standard	M5 × 50 Lg.	5-7 Nm (44 -62 in. lbs.)
	N. American Design Standard	No. 10-24 UNC × 2 Lg.	
DSPG-03	Japanese Standard "JIS" and European Design Standard	M6 × 80 Lg.	12-15 Nm (106 -133 in. lbs.)
	N. American Design Standard	1/4-20 UNC × 3-1/4 Lg.	

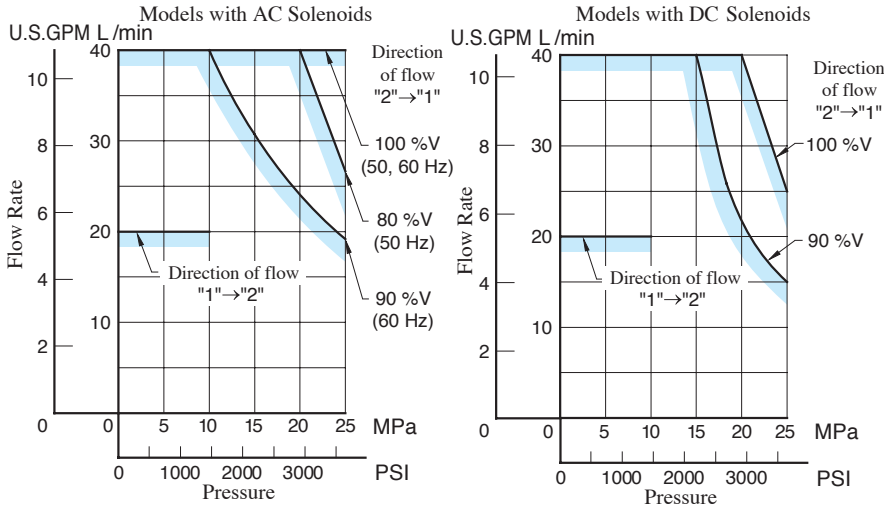


Typical Performance Characteristics at Viscosity 30 mm<sup>2</sup>/s (141 SSU) [ISO VG 46 oils, 50°C(122°F)]

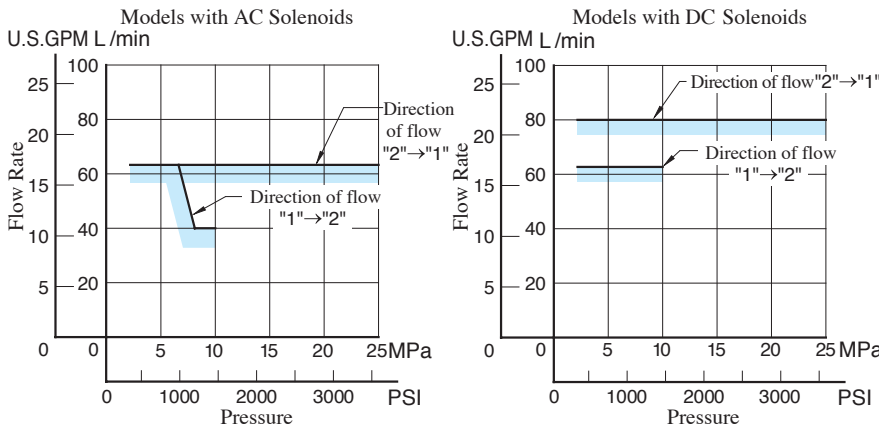
## Maximum Flow Rate

The zone under each shaded line denotes the flow rate ranges being free of trouble in changeover.

### DSPC/DSPG-01



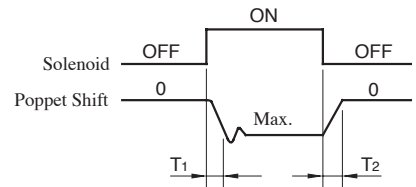
### DSPC/DSPG-03



## Typical Changeover Time

### [Test Conditions]

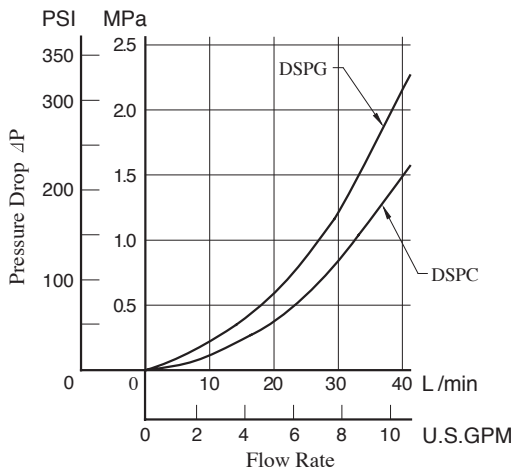
- Pressure: 15 MPa (2180 PSI)
- Flow Rate: (01) 30 L/min (7.9 U.S.GPM)  
(03) 63 L/min (16.6 U.S.GPM)
- Viscosity: 30 mm<sup>2</sup>/s (141 SSU)
- Voltage: 100 % V  
(After coil temperature rise and saturates)
- Direction of Flow: "2" → "1"



Model Numbers	Shifting Time (ms)	
	T <sub>1</sub>	T <sub>2</sub>
DSPC/DSPG-01-C-A*	22	30
DSPC/DSPG-01-C-D*	69	14
DSPC/DSPG-03-C-A*	22	20
DSPC/DSPG-03-C-D*	60	80

## Pressure Drop

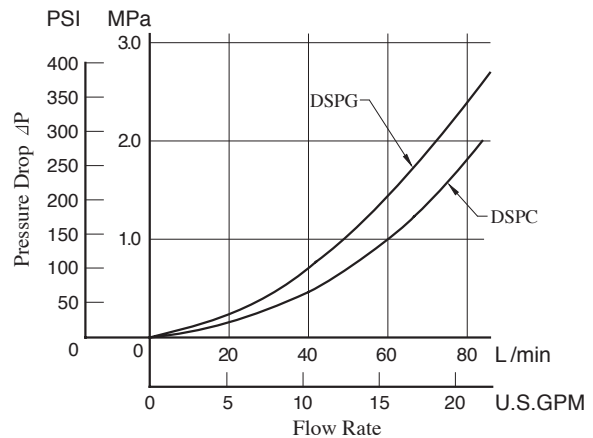
### DSPC/DSPG-01



● For any other viscosity, multiply the factors in the table below.

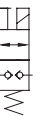
Viscosity	mm <sup>2</sup> /s	15	20	30	40	50	60	70	80	90	100
	SSU		77	98	141	186	232	278	324	371	417
Factor		0.81	0.87	0.96	1.03	1.09	1.14	1.19	1.23	1.27	1.30

### DSPC/DSPG-03



● For any other specific gravity (G'), the pressure drop (ΔP') may be obtained from the formula below.

$$\Delta P' = \Delta P(G'/0.850)$$

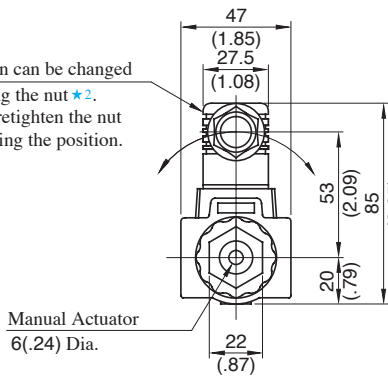


DSPC-01-C-\*/20/2090

Mounting Surface: ISO 7789 20-01-0-93

● Models with AC Solenoids

The position can be changed by loosening the nut ★2. Be sure to retighten the nut after changing the position.

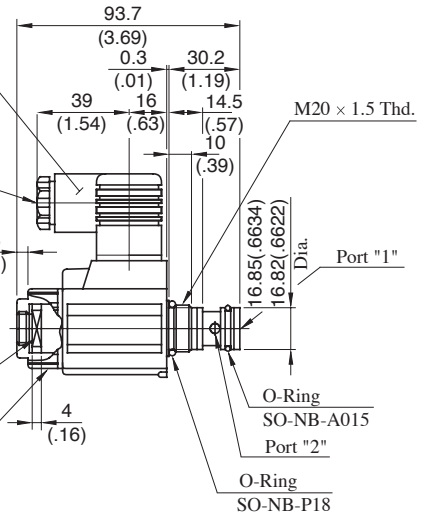


Three positions of cable departure are available in 90° increments.

Cable Departure  
Cable Applicable:  
Outside Dia.  
.....8-10 mm (.31-.39 in.) Dia.  
Conductor Area  
.....Not Exceeding  
1.5m<sup>2</sup> (.0023 Sq. in.)

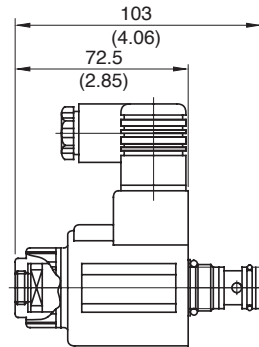
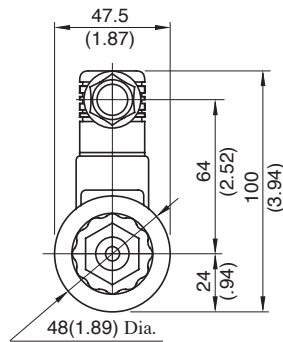
Core Tightening End  
15(.59) Across Flats★1

Nut ★2



- ★1. Tightening torque for iron core assembly: 30 - 50 Nm (266-443 IN. lbs.)
- ★2. Tightening torque for nuts: 10.3 - 11.3 Nm (91-100 IN. lbs.)

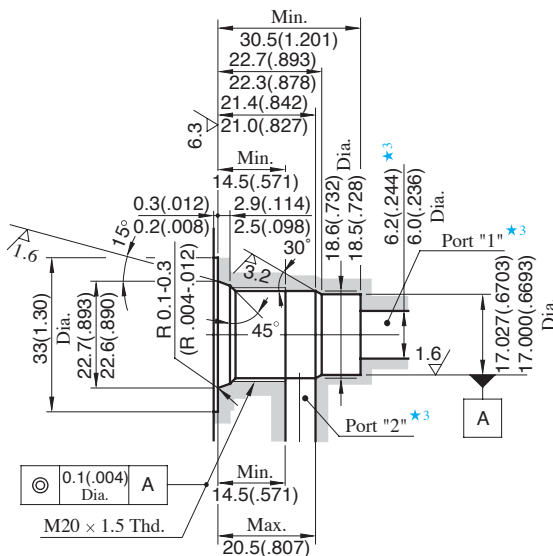
● Models with DC Solenoids



● For other dimensions, refer to the "Models with AC Solenoids".

■ Details of Mounting Holes

DIMENSIONS IN  
MILLIMETRES (INCHES)



**How to Mount**

When mounting, the following steps must be followed.

1. Loosen the coil fastening the nut and remove the coil.
2. Making use of the core tightening end, screw the cartridge in.
3. Attach the coil and fix it with the nut.

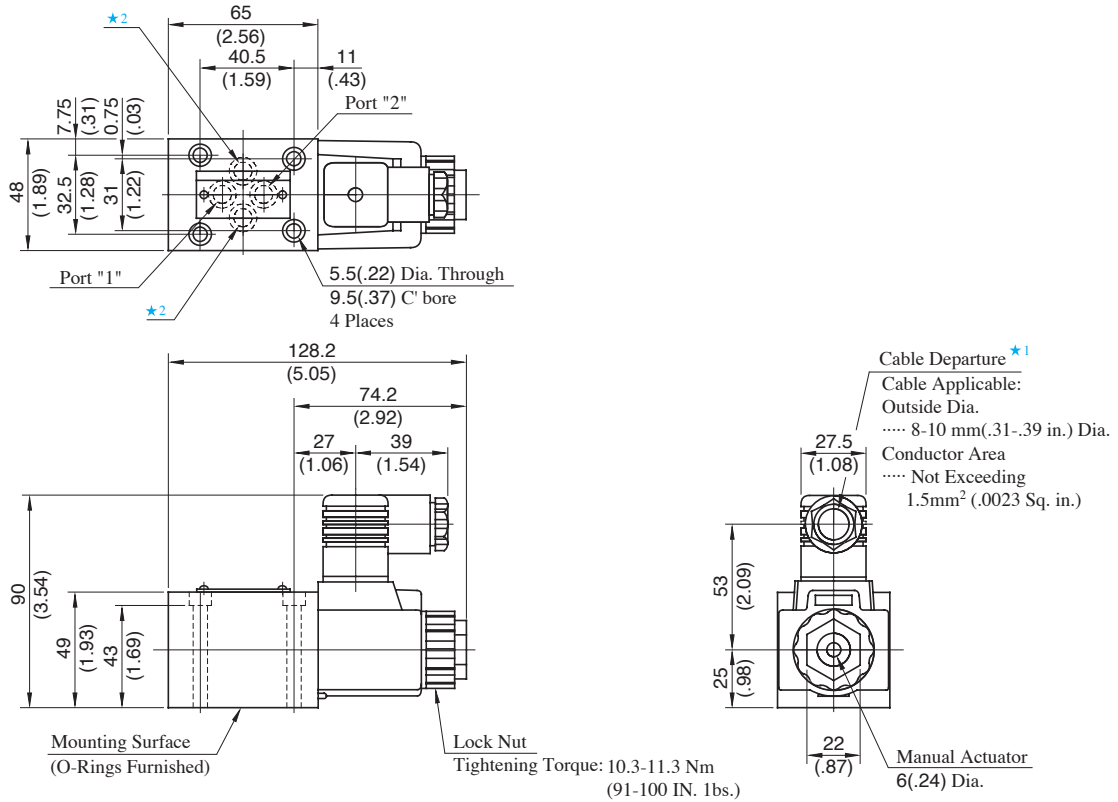
- ★3. Port diameter of 6.2 (.244) Dia. recommended.
- ★4. Use iron materials for the mounting section.



DSPG-01-C-\* -20/2090

Mounting Surface: ISO 4401-AB-03-4-A

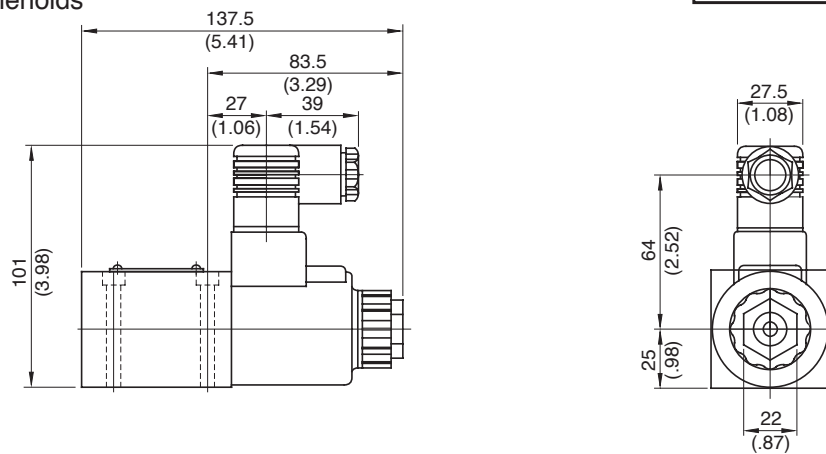
Models with AC Solenoids



- ★1. The location and the position of the cable departure can be changed. For details, see [the cartridge type](#).
- ★2. These ports (2) are not used. In addition, the body has the O-ring grooves and O-rings are included in the body.
- ★3. The mounting dimensions conform to ISO 4401-AB-03-4-A. Ports A and B are used as ports "2" and "1" respectively.
- ★4. O-rings for ports: SO-NB-P9

DIMENSIONS IN  
MILLIMETRES (INCHES)

Models with DC Solenoids



● For other dimensions, refer to the "Models with AC Solenoids".

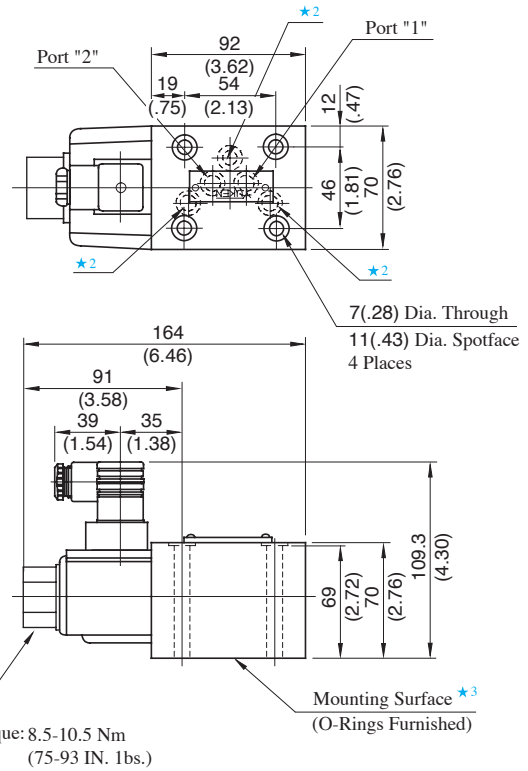
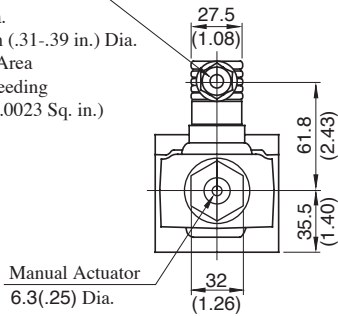
DSPG-03-C-\*-10/1090

Mounting Surface: ISO 4401-AC-05-4-A

Models with AC Solenoids

Cable Departure <sup>★1</sup>

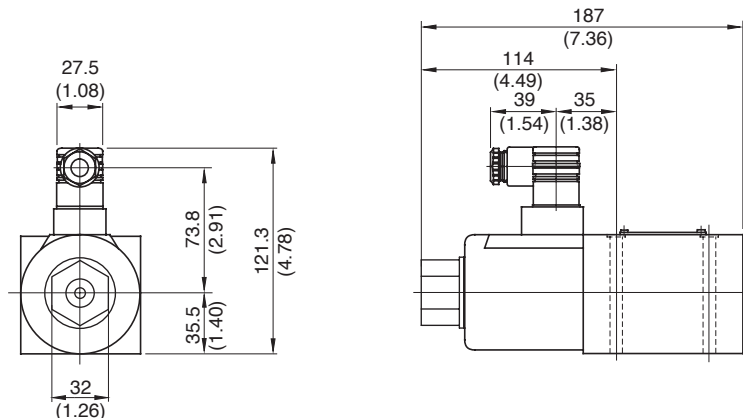
Cable Applicable:  
Outside Dia.  
.....8-10 mm (.31-.39 in.) Dia.  
Conductor Area  
.....Not Exceeding  
1.5mm<sup>2</sup> (.0023 Sq. in.)



- ★1. The location and the position of the cable departure can be changed. For details, see [the cartridge type](#).
- ★2. These ports (3) are not used. In addition, the body has the O-ring grooves and O-rings are included in the body.
- ★3. The dimensions of mounting surface conform to ISO 4401-AC-05-4-A. Ports A and B are used as port 2 and port 1 respectively.
- ★4. O-rings for each port: SO-NB-A014

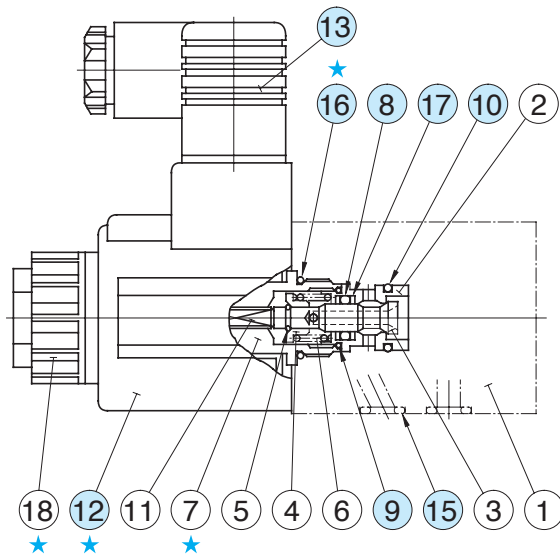
DIMENSIONS IN  
MILLIMETRES (INCHES)

Models with DC Solenoids



● For other dimensions, refer to the "Models with AC Solenoids".

■ List of Seals, Solenoid Ass'y, Coil Ass'y and Connector Ass'y



Solenoid assembly is composed of the parts marked with ★.

● List of Seals

Item	Name of Parts	DSP*-01		DSP*-03		Remarks
		Part Numbers	Qty.	Part Numbers	Qty.	
8	O-Ring	SO-NA-P8	1	SO-NA-P12	1	————
9	O-Ring	SO-NB-A014	1	SO-NB-A017	1	————
10	O-Ring	SO-NB-A015	1	SO-NB-A018	1	————
15	O-Ring	SO-NB-P9	4	SO-NB-A014	5	————
16	O-Ring	SO-NB-P18	1	SO-NB-A119	1	only for "DSPG"
17	Back Up Ring	5701-VK413831-9	2	2691-VK418550-0	2	————

Note: When ordering the seals, specify the seal kit number from the table below.

● List of Seal Kits

Valve Model Numbers	Seal Kit Numbers
DSPC-01-C-*-20*	KS-DSPC-01-C-10
DSPC-03-C-*-10*	KS-DSPC-03-C-10
DSPG-01-C-*-20*	KS-DSPG-01-C-10
DSPG-03-C-*-10*	KS-DSPG-03-C-10

● Solenoid Ass'y, Coil Ass'y and Connector Ass'y No.

Valve Model No.	Solenoid Ass'y No.	⑫ Coil No.	⑬ Connector No.
DSPC/DSPG-01-C-A100-20/2090	SA1-100-N-6055	C-SA1-100-N-60	GDM-211-B-11
DSPC/DSPG-01-C-A200-20/2090	SA1-200-N-6055	C-SA1-200-N-60	
DSPC/DSPG-01-C-D12-20/2090	SD1-12-N-6055	C-SD1-12-N-60	
DSPC/DSPG-01-C-D24-20/2090	SD1-24-N-6055	C-SD1-24-N-60	
DSPC/DSPG-03-C-A100-10/1090	SA3-100-N-5130	C-SA3-100-N-50	
DSPC/DSPG-03-C-A200-10/1090	SA3-200-N-5130	C-SA3-200-N-50	
DSPC/DSPG-03-C-D12-10/1090	SD3-12-N-5130	C-SD3-12-N-50	
DSPC/DSPG-03-C-D24-10/1090	SD3-24-N-5130	C-SD3-24-N-50	