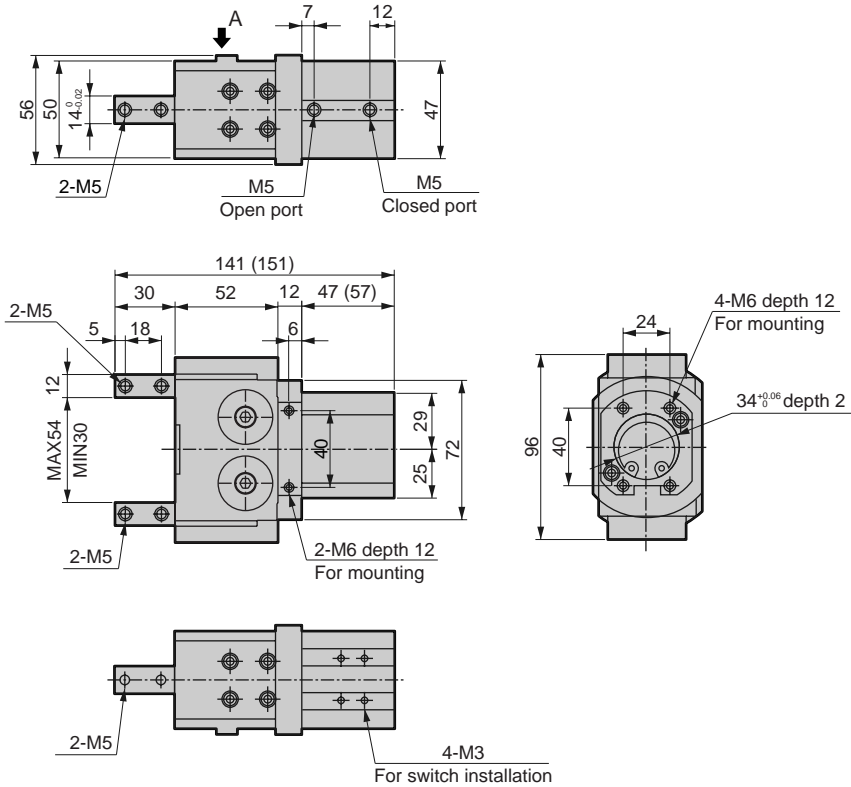


### Dimensions

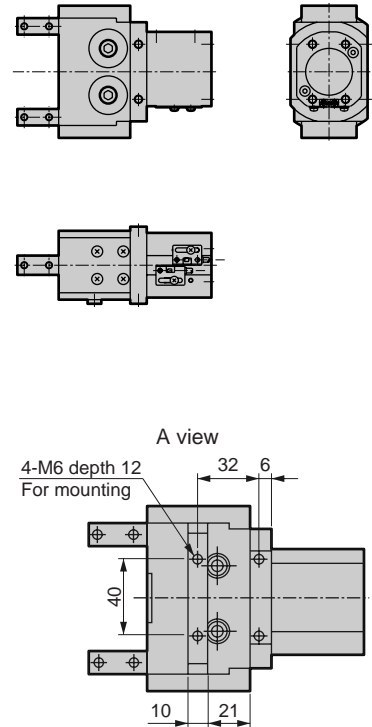


● HEP-3.5CS standard/O/C

● Dimension in ( ) for C (normally closed) specifications.

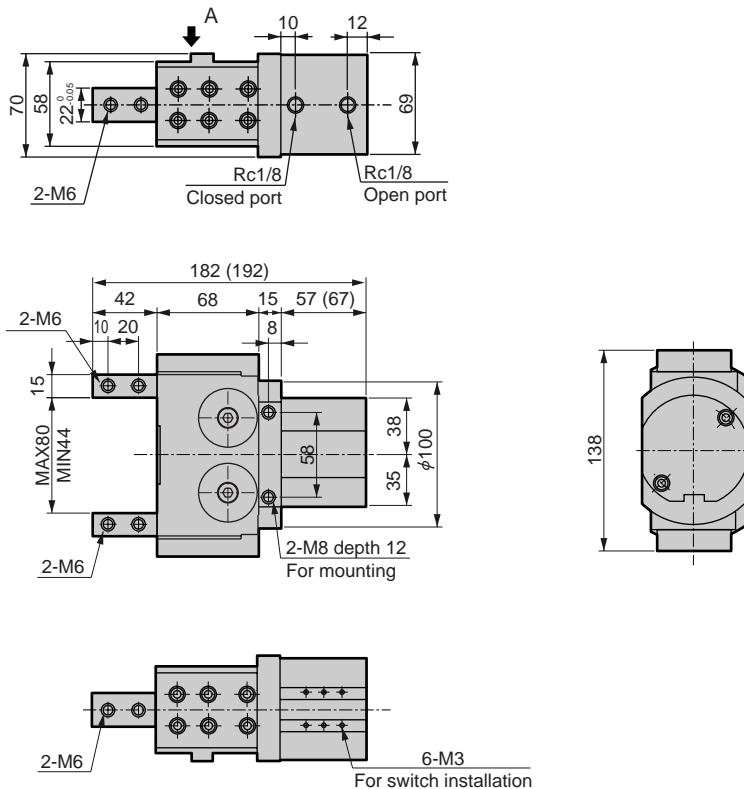


● With switch

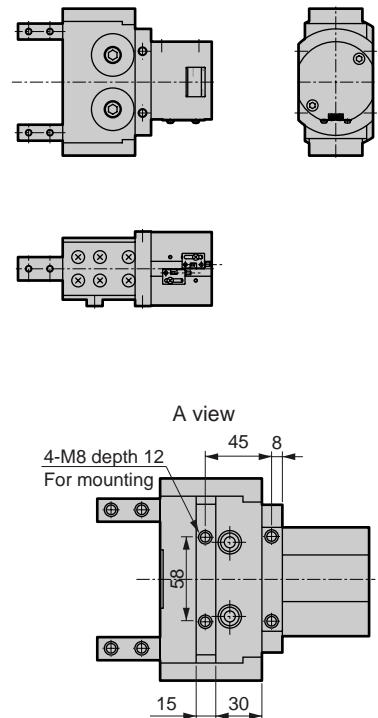


● HEP-4CS standard/O/C

● Dimension in ( ) for C (normally closed) specifications.



● With switch



RRC
GRC
RV3*
NHS
HR
LN
FH100
HAP
BSA2
BHA/BHG
LHA
LHAG
HKP
HLA/HLB
HLAG/HLBG
<b>HEP</b>
HCP
HMF
HMFB
HFP
HLC
HGP
FH500
HLB
HDL
HMD
HJL
BHE
CKG
CK
CKA
CKS
CKF
CKJ
CKL2
CKL2 *-HC
CKH2
CKLB2
NCK/SCK/FCK
FJ
FK
Ending

Bearing parallel hand  
Hand

## Dimensions

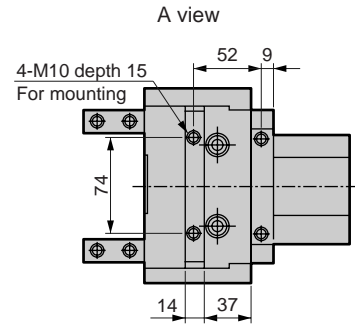
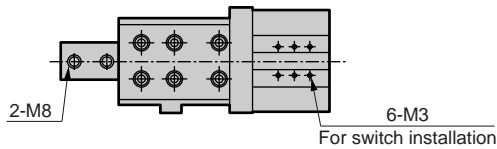
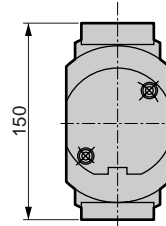
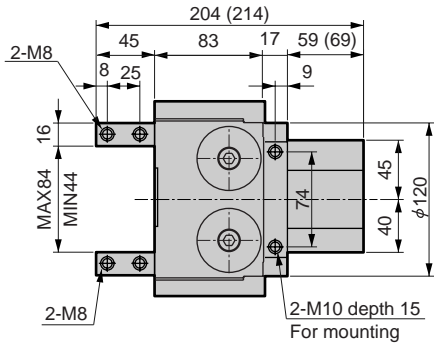
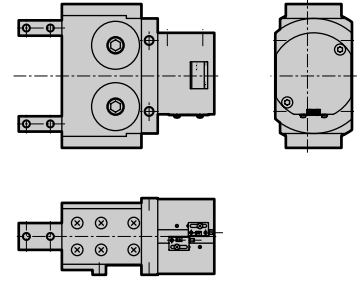
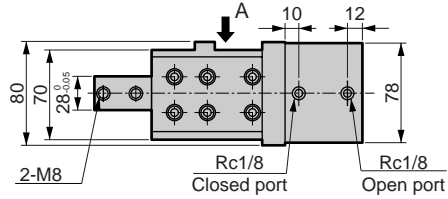


RRC
GRC
RV3*
NHS
HR
LN
FH100
HAP
BSA2
BHA/BHG
LHA
LHAG
HKP
HLA/HLB
HLAG/HLBG
<b>HEP</b>
HCP
HMF
HMFB
HFP
HLC
HGP
FH500
HBL
HDL
HMD
HJL
BHE
CKG
CK
CKA
CKS
CKF
CKJ
CKL2
CKL2 -*.HC
CKH2
CKLB2
NCK/ SCK/FCK
FJ
FK
Ending

● HEP-5CS standard/O/C

● With switch

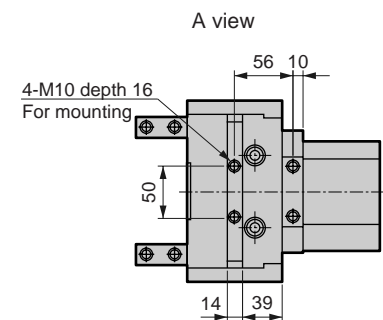
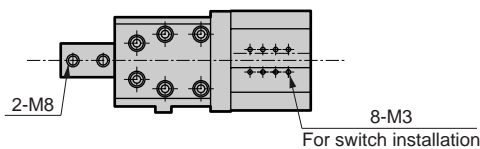
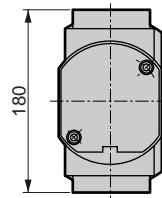
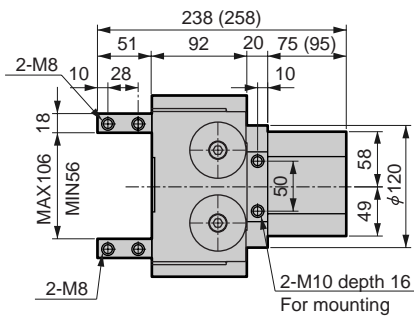
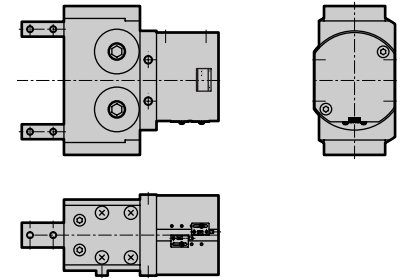
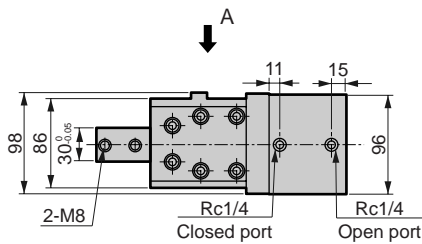
● Dimension in ( ) for C (normally closed) specifications.



● HEP-6CS standard/O/C

● With switch

● Dimension in ( ) for C (normally closed) specifications.

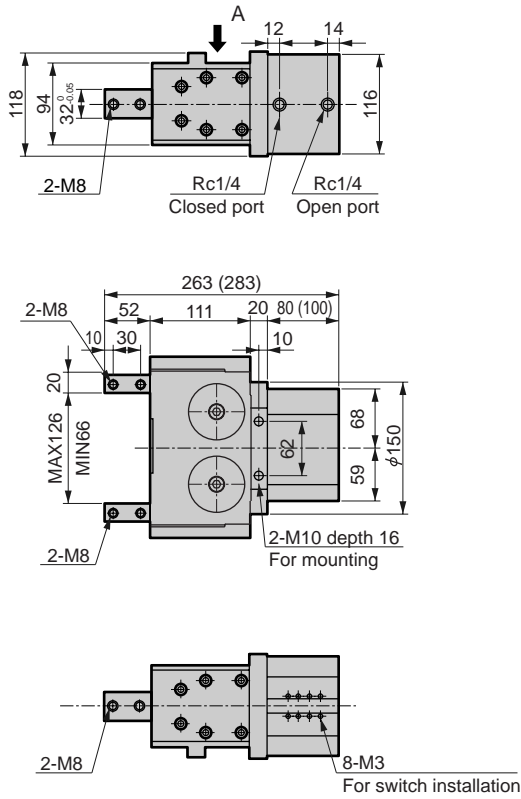


### Dimensions

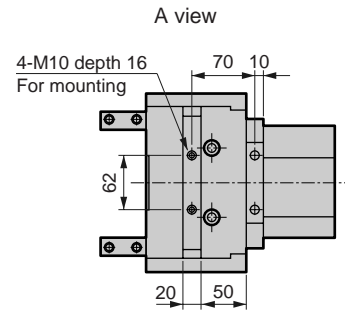
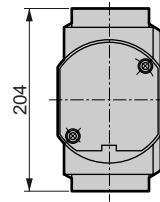
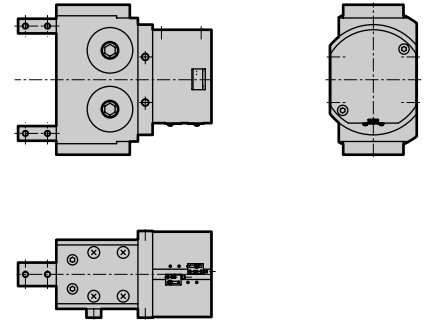


● HEP-7CS standard/O/C

● Dimension in ( ) for C (normally closed) specifications



● With switch



RRC
GRC
RV3*
NHS
HR
LN
FH100
HAP
BSA2
BHA/ BHG
LHA
LHAG
HKP
HLA/ HLB
HLAG/ HLBG
<b>HEP</b>
HCP
HMF
HMFB
HFP
HLC
HGP
FH500
HBL
HDL
HMD
HJL
BHE
CKG
CK
CKA
CKS
CKF
CKJ
CKL2
CKL2 *-HC
CKH2
CKLB2
NCK/ SCK/FCK
FJ
FK
Ending

Bearing parallel hand  
Hand