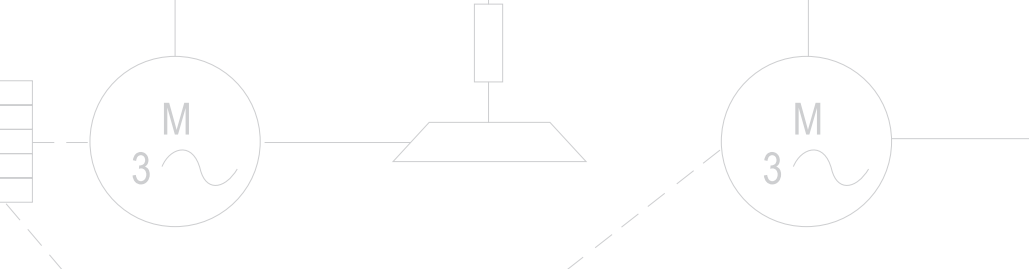
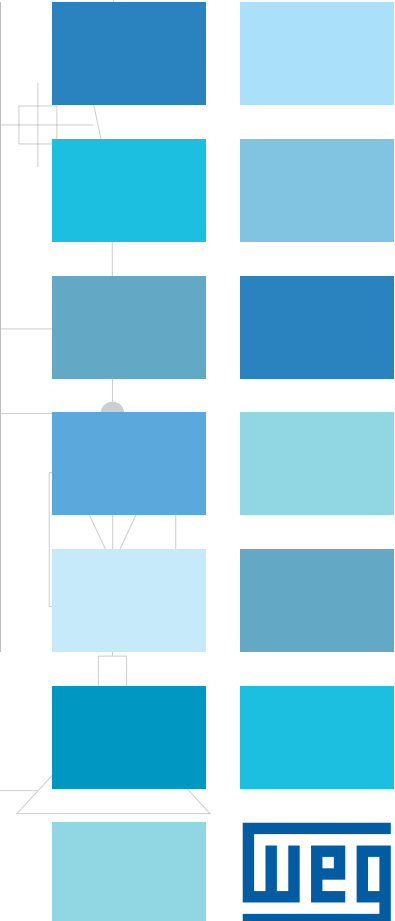
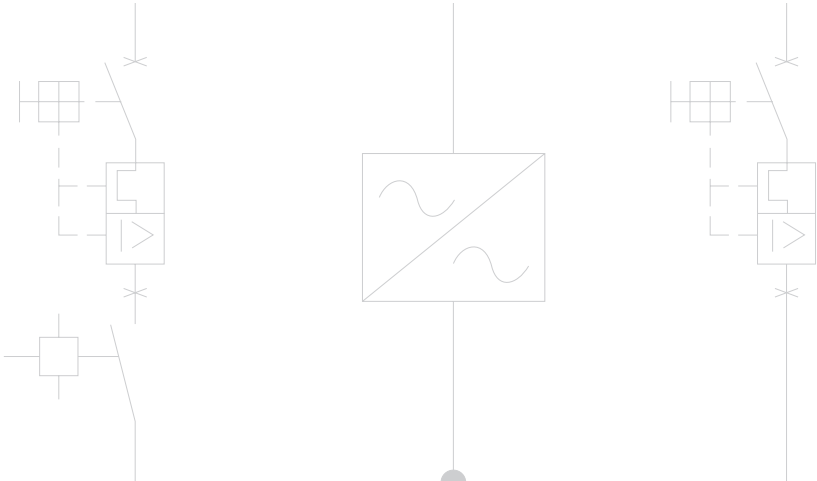


MSW

Switch-Disconnectors





Switch-Disconnectors MSW

Summary

Introduction	04
General Characteristics	06
How to Select the MSW According to your Application	08
Switch-Disconnectors	10
Change-Over Switch	10
Accessories	12
Dimensions	15
Switch-Disconnectors	29

SWITCH-DISCONNECTORS

MSW switch-disconnectors were developed according to IEC 60947-3 / UL 508 and enable the manual drive of motors, machines and other equipment. They are also used to drive and interrupt electrical circuits under load conditions.



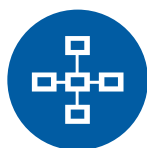
Modern and compact design, demanding little installation space



Complete accessory line



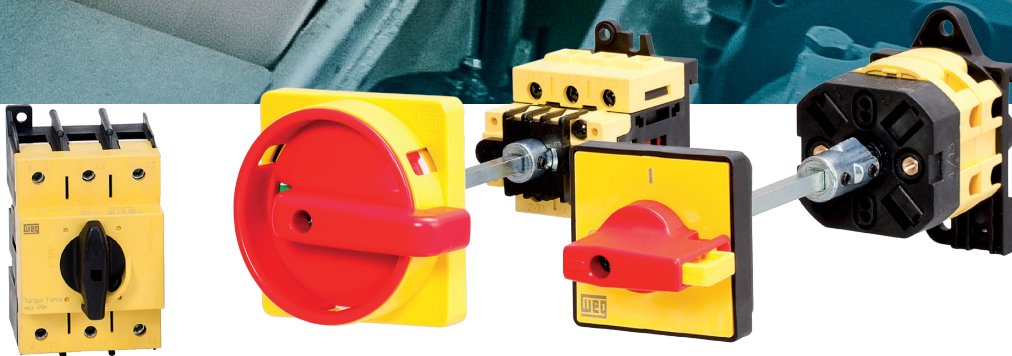
Terminals with IP20 degree of protection



Handle with IP65 degree of protection
Handles allow the use of up to three padlocks



Two mounting options for the switch-disconnectors, meeting the needs of different applications



Mounting on base



Mounting on base - direct command switch



Mounting on base - change-over switch



Mounting on top

General Characteristics

EN 60947-3 characteristics			MSW 12	MSW 16	MSW 20	MSW 25	MSW 40	MSW 63	MSW 80	
Rated operating voltage Ue		V	690							
Rated insulation voltage Ui		V	690							
Rated impulse withstand voltage Uimp		kV	4	4	4	8	8	8	8	
Rated thermal current Ith		A	16	20	25	32	40	63	80	
Rated thermal current in enclosed Ithe		A	12	16	20	32	40	63	80	
Frequency		Hz	50/60							
Rated operating current Ie: alternate current										
AC-21 A	690 V	A	12	16	20	32	40	63	80	
AC-22 A	500 V	A	-	-	-	-	-	-	-	
	690 V	A	12	16	20	25	32	63	80	
AC-23 A	3 phases 3 poles	230 V	A/kW	10/3	13/4	16/5	25/7.5	32/10	63/20	80/25
		400 V	A/kW	10/5.5	13/7.5	16/9	25/15	32/18.5	50/28	75/42
		500 V	A/kW	10/7.5	14/10	16/11	25/15	32/22	50/35	75/52
		690 V	A/kW	10/7.5	14/10	16/12.5	16/15	20/18.5	26/25	32/31
AC ³⁾	2 phases 2 poles	110 V	A/kW	10/0.75	12/1.1	16/1.5	-	-	-	-
		230 V	A/kW	10/2	12/2.2	16/3.5	-	-	-	-
	3 phases 3 poles	230 V	A/kW	8/2.2	10/3	12/4	22/5.5	27/7.5	45/14	60/19
		400 V	A/kW	8/4	10/5.5	12/6.5	22/11	27/15	40/22	55/30
Rated interruption current AC-23 A (cos-φ 0.45)	3 phases 3 poles	500 V	A/kW	8/5.5	10/7.5	12/8	22/11	22/15	35/24	45/31
		690 V	A/kW	6/5.5	8/7.5	10/9	22/11	16/15	22/21	25/24
		230 V	A	80	104	128	200	256	360	600
		400 V	A	80	104	128	200	256	320	536
Rated short-time short circuit withstand current - Icw (1s)	3 phases 3 poles	500 V	A	80	112	128	176	216	280	536
		690 V	A	80	112	128	128	160	176	256
		230 V	A	300	300	300	800	800	1,200	1,500
Short-circuit making capacity (peak value) - Icm		A	1,200	1,200	1,200	1,500	1,500	2,200	2,800	
Conditional rated short circuit withstand current		kA	5	5	5	10	10	10/5	10/5	
Fuse rating gC	500 V	A	-	-	-	-	-	-	-	
	690 V	A	20	20	20	40	40	63/80	63/80	
UL 508 characteristics										
General use	600 V ac	A	12	16	20	32	40	60	80	
Standard motors load	Single-phase 2 poles	120 V ac	HP(FLA)	0.5 (9.8)	1 (16)	1.5 (20)	1.5(20)	2(24)	-	-
		240 V ac	HP(FLA)	1 (8)	1.5 (10)	2 (12)	3(17)	5(28)	-	-
	Three-phase 3 poles	240 V ac	HP(FLA)	3 (9.6)	5 (15.2)	5 (15.2)	7.5(22)	10(28)	10	15
		480 V ac	HP(FLA)	5 (7.6)	7.5 (11)	10 (14)	10(14)	15(21)	25	30
Protection degree	Handle	EN 60529 (UL 50)	IP65 (TYPE 1 - 4 - 4X - NEMA 4X)							
	Terminals	EN 60529	IP20							
Material group	EN 60947-1		II							
Pollution grade	EN 60947-1		3							
Flammability	UL 94		V0							
Ambient temperature	Operation	°C	-25 + 55							
	Storage	°C	-30 + 70							
Switching force (3 poles)			0.8 Nm (7.1 lb.in.)			0.8 Nm (7.1 lb.in.)		1 Nm (8.85 lb.in.)		
Connection										
Terminal block caliber	EN 60947-1		A3			A6		A8		
Terminal screw			M3.5			M4		M5		
Tightening torque	EN 60947-1		0.8 Nm			1.2 Nm		3 Nm		
	UL 508		7.5 lb.in. (0.85 Nm)			7 lb.in (0.8 Nm)		32 lb.in. (3.6 Nm)		
Connection cross-section										
Flexible conductors	Flexible	mm ²	1x0.75/4 - 2x0.75/2.5			1.5-10		6-25		
	AWG		16-12			12-6		10-2		
Solid conductors	Solid	mm ²	1x0.75/4 - 2x0.75/2.5			1.5-16		10-35		
	AWG		16-12			12-8		10-2		
Opening angles			90°							
Mechanical life		120 operations per hour mil/cl	750,000			100,000				

Note: auxiliary contacts are not available for MSW 12, MSW 16, MSW 20 and MSW 100 switch-disconnectors.

MSW 100	MSW 125	MSW 160	Auxiliary contacts	MSWR 25	MSWR 40	MSWR 125	MSWR 160	
690						690		
690	800		800				8	8
8	8	8	4	8	8	8	8	
100	125	160	16	32	40	125	160	
86	125	160	10	32	40	125	160	
50/60								
100	125	100	AC-15 240 V - 5 A	32	40	125	160	
100	125	160	DC-13 250 V - 0.44 A	-	-	125	160	
85	125	160	-	25	32	125	160	
70/22	125	160	-	25/7.5	32/10	-	-	
67/37	125	160	-	25/15	32/18.5	125	160	
67/45	100	125	-	25/15	32/22	100	125	
38/37	80	100	-	16/15	20/18.5	80	100	
-	-	-	-	-	-	-	-	
-	-	-	-	-	-	-	-	
60/18.5	-	-	-	22/5.5	27/7.5	-	-	
55/30	-	-	-	22/11	27/15	-	-	
55/37	-	-	-	22/11	27/18.5	-	-	
32/30	-	-	-	16/11	20/15	-	-	
560	-	-	-	200	256	-	-	
536	1,280	1,280	-	200	256	1,000	1,280	
536	-	-	-	200	256	800	1,000	
304	800	800	-	128	160	640	800	
1,500	3,000	3,000	-	800	800	3,000	3,000	
2,840	4,500	4,500	-	1,500	1,500	4,500	4,500	
10	15	15	1	10	10	10	10	
100	125	125	10	-	-	-	-	
-	-	-	-	40	40	125	125	
100	125	160	HD A600 AC Q600 DC	32	40	125	150	
3(34)	20(108)	20(108)	-	-	-	-	-	
10(50)	40(104)	40(104)	-	-	-	-	-	
10(28)	25(68)	25(68)	-	7.5 (22)	10 (28)	25 (68)	25 (68)	
25(34)	50(65)	50(65)	-	10 (14)	15 (21)	50 (65)	50 (65)	
30(32)	60(62)	60(62)	-	15 (17)	20 (22)	60 (62)	60 (62)	
IP65 (TYPE 1 - 4 - 4X - NEMA 4X)			-	IP65 (TYPE 1 - 4 - 4X - NEMA 4X)	IP65 (TYPE 1 - 4 - 4X - NEMA 4X)	IP65 (TYPE 1 - 4 - 4X - NEMA 4X)	IP65 (TYPE 1 - 4 - 4X - NEMA 4X)	
IP20								
II	IIIa	IIIa	II					
3								
V0								
-25 / +55								
-30 / +70								
1.5 Nm	2.6 Nm	2.6 Nm	-	0.8 Nm	1 Nm	1.5 Nm	1.5 Nm	
A8	--	-	A2	A6	A8	A11	A11	
M5	M8	M8	M3.5	M4	M5	M8	M8	
3 Nm	6 Nm	6 Nm	0.8 Nm	1.2 Nm	3 Nm	6 Nm	6 Nm	
32 lb.in. (3.6 Nm)	6 Nm	6 Nm	12 lb.in.	10.6 lb.in.	32.0 lb.in.	54 lb.in.	54 lb.in.	
6-25	10/50	10/50	1-2.5	1.5-10	6-25	6-70	6-70	
10-2	2/0-6	3/0-6	18-12	12-6	10-2	2/0 - 6	2/0 - 6	
10-35	10-70	10-70	1-2.5	1.5-16	10-35	6-50	6-50	
10-2	2/0-6	3/0-6	18-12	12-6	10-2	-	-	
	90°		-	90°	90°	90°	90°	
	100,000		1,500,000	100,000	100,000	30,000	30,000	

Selection

HOW TO SELECT THE MSW ACCORDING TO YOUR APPLICATION?



MSW switch-disconnectors have a range number of accessories and configurations, and which can be selected according to the requirements of the application. Check below the four necessary steps for the proper selection of the MSW disconnect switch.

1 - Mounting

MSW switch-disconnectors are mounted on panel doors or bases according to the selected model.

- **Mounting on door:** in this system, the switch-disconnector is mounted on panel doors by means of screws. The switch-disconnector and the handle are always coupled.
- **Mounting on base:** the switch-disconnector is mounted on a base, like the panel plates, by screws or DIN rail. There is a shaft to couple the switch-disconnector to the handle. The uncoupling of the switch-disconnector and the handle is only possible when the switch-disconnector is in the OFF position.

2 - Current

The switch-disconnector must present a rated current capacity equal to or above the rated current of the circuit/load. The MSW switch-disconnectors withstand currents up to 160 A. The rated values are indicated in the general characteristics table (page 6).

3 - Handle and Shaft

The handles of the MSW switch-disconnectors, developed with IP65 degree of protection, allow the use of up to three padlocks when in the OFF position, ensuring safety during maintenance.

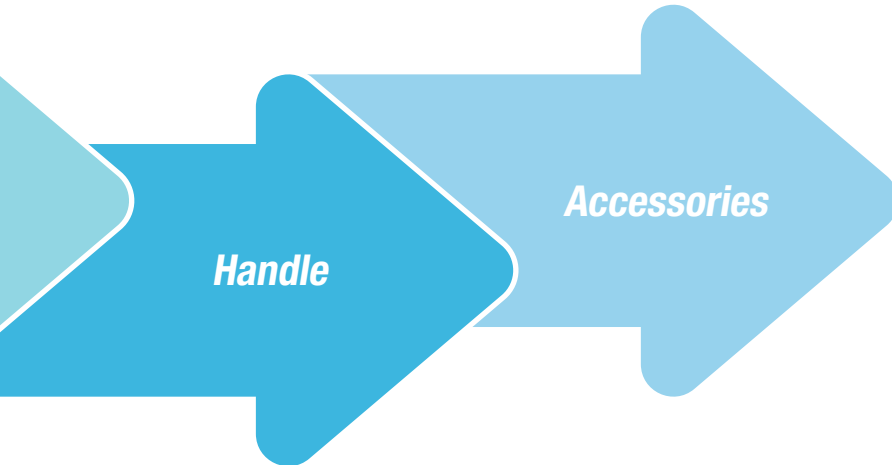
For switch-disconnectors with base mounting, besides the handle, it is necessary to use a shaft.

The shaft must have a length equal to or longer than the distance between the switch-disconnector and the handle.

The handles for the MSW switch-disconnectors are available in blue and yellow or black and gray.

With those characteristics, it is possible to define a standard switch-disconnector, but WEG offers other accessories that may be required for each application.





MSW SELECTED!

4 - Accessories

4.a - Auxiliary Contacts

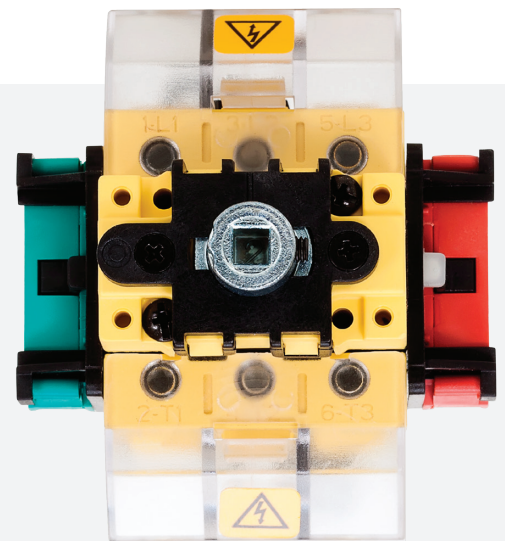
The MSW line provides auxiliary contacts for mounting on the sides of the switch-disconnector. On each side of the switch-disconnector, it is possible to mount an auxiliary contact, as shown in the figure on the right.

4.b - Terminal Cover

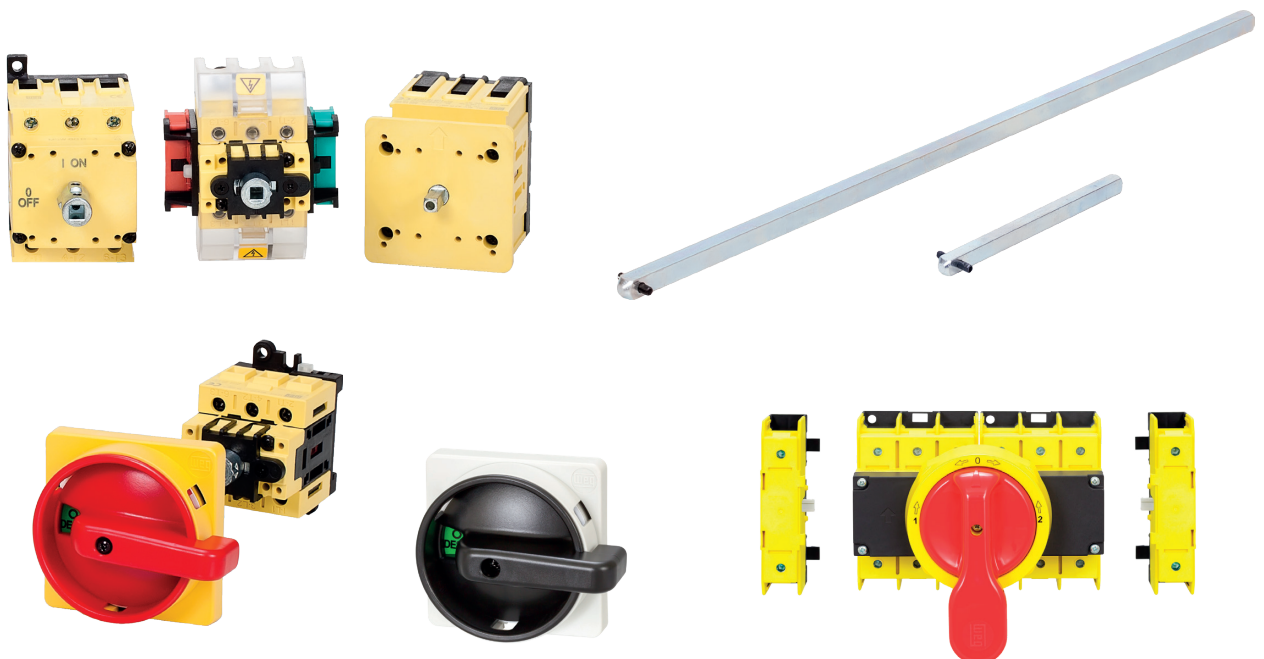
Aiming at enhancing the safety of machinery and equipment, the MSW line provides terminal covers that reduce the risk of inadvertent contact with the switch-disconnectors terminals.

4.c - Additional Pole

For applications that require disconnection of the neutral, the MSW line has an additional neutral pole, which can be mounted on the side of the switch disconnector.



Example of a switch-disconnector with two auxiliary contacts and two terminal covers.



Switch-Disconnectors

Mounting on Top

Reference code	Current (A)	Switch-disconnector mounting	Poles	Shaft (mm)	Code
MSW 12 P-3 H ¹⁾	12	Top	3	-	12258388
MSW 12 P-3 ²⁾		Top	3	-	12258305
MSW 12 P-2 H ¹⁾		Top	2	-	12258395
MSW 12 P-2 ²⁾	16	Top	2	-	12258391
MSW 16 P-3 H ¹⁾		Top	3	-	12258389
MSW 16 P-3 ²⁾		Top	3	-	12258306
MSW 16 P-2 H ¹⁾	20	Top	2	-	12258397
MSW 16 P-2 ²⁾		Top	2	-	12258392
MSW 20 P-3 H ¹⁾		Top	3	-	12258390
MSW 20 P-3 ²⁾	25	Top	3	-	12258307
MSW 20 P-2 H ¹⁾		Top	2	-	12258438
MSW 20 P-2 ²⁾		Top	2	-	12258394
MSW 25 P-3 H ¹⁾	40	Top	3	-	11898918
MSW 25 P-3 ²⁾		Top	3	-	11898714
MSW 40 P-3 H ¹⁾		Top	3	-	11898886
MSW 40 P-3 ²⁾	63	Top	3	-	11898883
MSW 63 P-3 H ¹⁾		Top	3	-	11898922
MSW 63 P-3 ²⁾		Top	3	-	11898884
MSW 80 P-3 H ¹⁾	80	Top	3	-	11898923
MSW 80 P-3 ²⁾		Top	3	-	11898885
MSW 100 P-3 H ¹⁾		Top	3	-	11898945
MSW 100 P-3 ²⁾	100	Top	3	-	11898887



Notes: 1) The standard supply includes rotary handle for the panel door in red and escutcheon in yellow.
 2) Only the mechanism of the switch-disconnector is supplied (no rotary handle).
 3) Supply of the switch-disconnector with black handle on request.

Mounting on Base - Direct Command Switch

Reference code	Current (A)	Switch-disconnector mounting	Poles	Shaft (mm)	Code
MSWD 12 B3 HB	12	Base	3	-	12736260
MSWD 16 B3 HB	16	Base	3	-	12736261
MSWD 20 B3 HB	20	Base	3	-	12736262
MSWD 25 B3 HB	25	Base	3	-	12736263
MSWD 40 B3 HB	40	Base	3	-	12736264
MSWD 63 B3 HB	63	Base	3	-	12736265
MSWD 80 B3 HB	80	Base	3	-	12736266

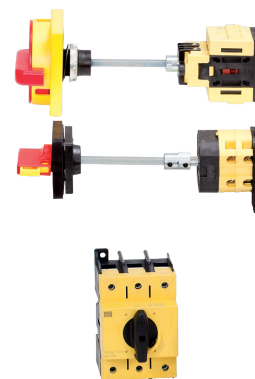
Note: black rotary handle.



Mounting on Base

Reference code	Current (A)	Switch-disconnector mounting	Poles	Shaft (mm)	Code
MSW 12 B-3 H ¹⁾	12	Base	3	85	12258443
MSW 12 B-3 ²⁾		Base	3	-	12258440
MSW 12 B-2 H ¹⁾		Base	2	85	12258459
MSW 12 B-2 ²⁾	16	Base	2	-	12258446
MSW 16 B-3 H ¹⁾		Base	3	85	12258444
MSW 16 B-3 ²⁾		Base	3	-	12258441
MSW 16 B-2 H ¹⁾	20	Base	2	85	12258460
MSW 16 B-2 ²⁾		Base	2	-	12258447
MSW 20 B-3 H ¹⁾		Base	3	85	12258445
MSW 20 B-3 ²⁾	25	Base	3	-	12258442
MSW 20 B-2 H ¹⁾		Base	2	85	12258461
MSW 20 B-2 ²⁾		Base	2	-	12258458
MSW 25 B-3 H ¹⁾	40	Base	3	85	11898938
MSW 25 B-3 ²⁾		Base	3	-	11898940
MSW 40 B-3 H ¹⁾		Base	3	85	11898925
MSW 40 B-3 ²⁾	63	Base	3	-	11898946
MSW 63 B-3 H ¹⁾		Base	3	85	11898942
MSW 63 B-3 ²⁾		Base	3	-	11898924
MSW 80 B-3 H ¹⁾	80	Base	3	85	11898941
MSW 80 B-3 ²⁾		Base	3	-	11898926
MSW 125 B-3 H ¹⁾		125	Base	3	300
MSW 125 B-3 ²⁾	Base		3	-	11898939
MSW 160 B-3 H ¹⁾	160		Base	3	300
MSW 160 B-3 ²⁾		Base	3	-	11898927

Notes: 1) Red rotary handle for panel door and yellow escutcheon included.
 2) Only the mechanism of the switch-disconnector is supplied (no rotary handle and no shaft).
 3) Supply of the switch-disconnector with black handle on request.

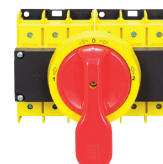


Change-Over Switch

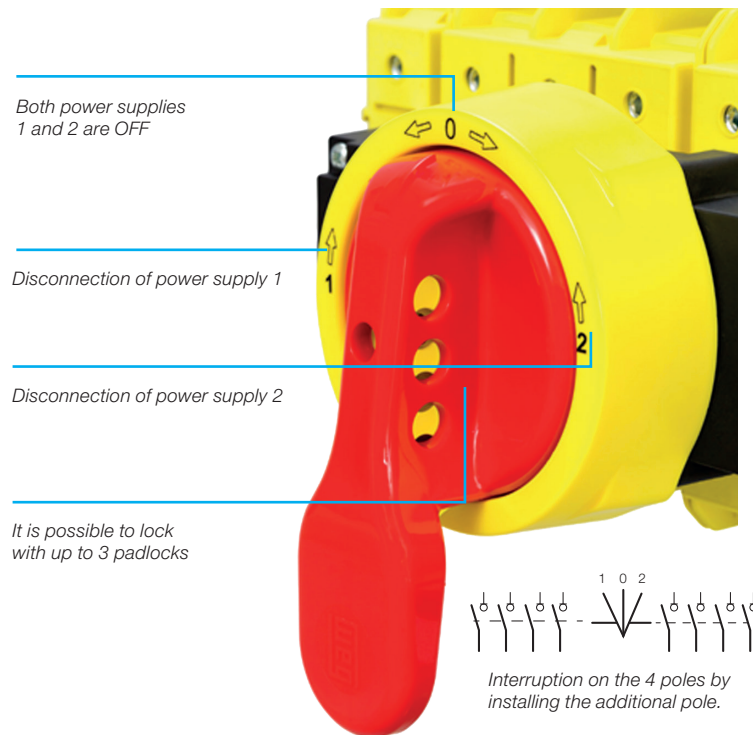
Change-Over Switch

Reference code	Current (A)	Switch-disconnector mounting	Poles	Shaft (mm)	Code
MSWR 25 B3 H	25	Base	3	-	12686300
MSWR 40 B3 H	40	Base	3	-	12686301
MSWR 125 B3 H	125	Base	3	-	12686305
MSWR 160 B3 H	160	Base	3	-	12484706

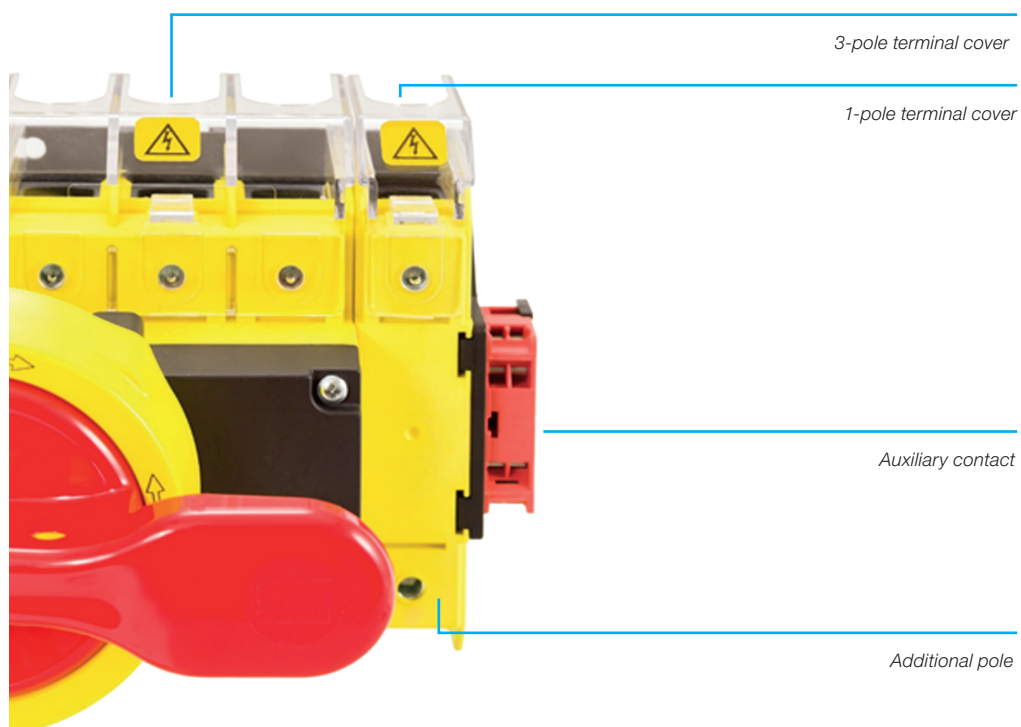
Note: red rotary handle.



Change-Over Switch



- The change-over switch is composed of two switch-disconnectors under load, where it is possible to disconnect one of the electrical circuits.
- The interlocking prevents both power supplies from being simultaneously turned on, ensuring complete separation between the electrical circuits.
- When the handle is placed in number 1, the power supply on the left is disconnected.
- When the handle is placed in number 2, the power supply on the right is disconnected.
- The switching always occurs from power supply 1 to the zero point (in this position both switch-disconnectors are OFF), and then to power supply 2. The operation occurs by means of a single handle, through positions 1-0-2.



- It is possible to use the 4-pole switch-disconnector by installing the additional pole.

Accessories

Panel Door Rotary Operating Handle¹⁾²⁾

Reference code	Switch-disconnector	Color	Switch-disconnector mounting	Shaft (mm)	Code
MSW H 20 P-R	MSW 12/MSW 16/MSW 20	Red/Yellow	Top	-	12258462
MSW H 20 B-R	MSW 12/MSW 16/MSW 20	Red/Yellow	Base	85	12258463
MSW H 40 P-R	MSW 25/MSW 40	Red/Yellow	Top	-	11899507
MSW H 40 B-R	MSW 25/MSW 40	Red/Yellow	Base	85	11899512
MSW H 80 B-R	MSW 63/MSW 80	Red/Yellow	Base	85	11966588
MSW H 100 P-R	MSW 63/MSW 80/MSW 100	Red/Yellow	Top	-	11899509
MSW H 160 B-R	MSW 125/MSW 160	Red/Yellow	Base	300	11899515
MSW H 20-P-B	MSW 12/MSW 16/MSW 20	Black/Gray	Top	-	12746820
MSWR H 20-B-B	MSW 12/MSW 16/MSW 20	Black/Gray	Base	85	12746821
MSW H 40-P-B	MSW 25/MSW 40	Black/Gray	Top	-	12746822
MSWR H 40-B-B	MSW 25/MSW 40	Black/Gray	Base	85	12746823
MSW H 80-B-B	MSW 63/MSW 80	Black/Gray	Base	85	12746824
MSW H 100-P-B	MSW 63/MSW 80/MSW 100	Black/Gray	Top	-	12746825
MSW H 160-B-B	MSW 125/MSW 160	Black/Gray	Base	300	12746826

Notes: 1) The handles for the switch-disconnectors with mounting on base come with standard shaft.

2) Handles not applicable to the direct command switch and change-over switch.

Auxiliary Contact¹⁾

Reference code	Switch-disconnector ²⁾	Switch-disconnector mounting	Section of conductor	Code
MSWAC-40 B 1NF	MSW 25/MSW 40	Base	1 mm ² - 2.5 mm ² 18 AWG - 12 AWG	11899456
MSWAC-40 B 1NA	MSW 25/MSW 40	Base		11899457
MSWAC-40 P 1NF	MSW 25/MSW 40	Top		11899468
MSWAC-40 P 1NA	MSW 25/MSW 40	Top		11899469
MSWAC-80 B 1NF	MSW 63/MSW 80	Base		11899470
MSWAC-80 B 1NA	MSW 63/MSW 80	Base		11899471
MSWAC-80 P 1NF	MSW 63/MSW 80	Top		11899472
MSWAC 160-B-1 NF	MSW 125/MSW 160	Base		13233893
MSWAC 160-B-1 NA	MSW 125/MSW 160	Base		13233894

Notes: 1) Limit of installation of up to two contacts per switch-disconnector.

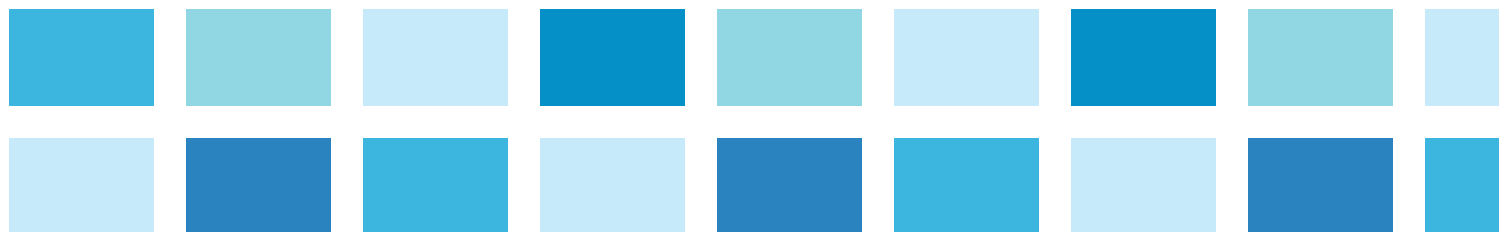
2) The auxiliary contact accessory can be used for the switch-disconnector models with mounting on top, direct command switch, mounting on base and change-over switch.

Terminal Cover

Reference code	Switch-disconnector ¹⁾	Switch-disconnector mounting	Poles	Code
MSWTS 40-B-3	MSW 25/MSW 40	Base	3	11899501
MSWTS 40-P-3	MSW 25/MSW 40	Top	3	11899502
MSWTS 40-1	MSW 25/MSW 40	Base/Top	1	13164767
MSWTS 80-1	MSW 63/MSW 80	Base/Top	1	13164788
MSWTS 80-B/P-3	MSW 63/MSW 80	Base/Top	3	11899504
MSWTS 100-P-3	MSW 100	Top	3	11899505 ²⁾
MSWTS 160-1	MSW 125/MSW 160	Base/Top	1	13164790
MSWTS 160-3	MSW 125/MSW 160	Base	3	13164789

Notes: 1) The terminal cover accessory can be used for the switch-disconnector models with mounting on top, direct command switch, mounting on base and change-over switch.

2) It is necessary to use 2 pieces of MSWTS 100P-3 to cover the 3 poles.



Accessories

Panel Door Rotary Operating Handle

Reference code	Switch-disconnector	Color	Switch-disconnector mounting	Shaft (mm)	Code
MSW H 20 P-R	MSW 12/MSW 16/MSW 20	Red/Yellow	Top	-	12258462
MSW H 20 B-R	MSW 12/MSW 16/MSW 20	Red/Yellow	Base	85	12258463
MSW H 40 P-R	MSW 25/MSW 40	Red/Yellow	Top	-	11899507
MSW H 40 B-R	MSW 25/MSW 40	Red/Yellow	Base	85	11899512
MSW H 80 B-R	MSW 63/MSW 80	Red/Yellow	Base	85	11966588
MSW H 100 P-R	MSW 63/MSW 80/MSW 100	Red/Yellow	Top	-	11899509
MSW H 160 B-R	MSW 125/MSW 160	Red/Yellow	Base	300	11899515
MSW H 20-P-B	MSW 12/MSW 16/MSW 20	Black/Gray	Top	-	12746820
MSWR H 20-B-B	MSW 12/MSW 16/MSW 20	Black/Gray	Base	85	12746821
MSW H 40-P-B	MSW 25/MSW 40	Black/Gray	Top	-	12746822
MSWR H 40-B-B	MSW 25/MSW 40	Black/Gray	Base	85	12746823
MSW H 80-B-B	MSW 63/MSW 80	Black/Gray	Base	85	12746824
MSW H 100-P-B	MSW 63/MSW 80/MSW 100	Black/Gray	Top	-	12746825
MSW H 160-B-B	MSW 125/MSW 160	Black/Gray	Base	300	12746826

Handle Shaft

Reference code	Switch-disconnector	Switch-disconnector mounting	Code
MSW HS 185-40	MSW 12/MSW 16/MSW 20/MSW 25/MSW 40	185	12030688
MSW HS 300-40	MSW 12/MSW 16/MSW 20/MSW 25/MSW 40	300	12030689
MSW HS 185-160	MSW 63/MSW 80/MSW 125/MSW 160	185	12030690
MSW HS 300-160	MSW 63/MSW 80/MSW 125/MSW 160	300	12030691

Additional Pole¹⁾

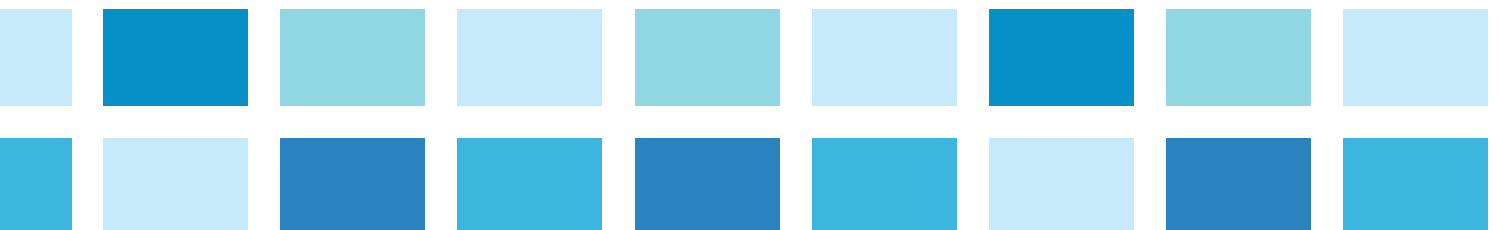
Reference code	Switch-disconnector	Switch-disconnector mounting	Code
MSW AP 25-B-1 NA	25	Base	12727284
MSW AP 40-B-1 NA	40	Base	12727285
MSW AP 63-B-1 NA	63	Base	12727298
MSW AP 80-B-1 NA	80	Base	12727299
MSW AP 25-P-1 NA	25	Top	12727286
MSW AP 40-P-1 NA	40	Top	12727287
MSW AP 63-P-1 NA	63	Top	12727300
MSW AP 80-P-1 NA	80	Top	12727301
MSW AP 160-B-1 NA	125/160	Base	13052847



Note: 1) The same item can be installed on either side of the switch-disconnector.

Mounting Tool

Reference code	Switch-disconnector	Code
MSW FK PT	MSW 25/MSW 40/MSW 63/MSW 80/MSW 100	12187331



Accessories

Panel Door Rotary Operating Handle¹⁾²⁾

- It allows opening the door with the switch-disconnector OFF only (option of mounting on base)
- IP65 degree of protection
- Total padlocking (switch-disconnector + panel door) in the OFF position with up to three padlocks

Reference code	Switch-disconnector mounting	Shaft length (mm)	MSW 12	MSW 16	MSW 20	MSW 25	MSW 40	MSW 63	MSW 80	MSW 100	MSW 125	MSW 160
MSW H 20 P-R	Top	-	✓	✓	✓							
MSW H 20 B-R	Base	85	✓	✓	✓							
MSW H 40 P-R	Top	-				✓	✓					
MSW H 40 B-R	Base	85				✓	✓					
MSW H 80 B-R	Base	85						✓	✓			
MSW H 100 P-R	Top	-						✓	✓	✓		
MSW H 160 B-R	Base	300									✓	✓
MSW H 20-P-B	Top	-	✓	✓	✓							
MSWR H 20-B-B	Base	85	✓	✓	✓							
MSW H 40-P-B	Top	-				✓	✓					
MSWR H 40-B-B	Base	85				✓	✓					
MSW H 80-B-B	Base	85						✓	✓			
MSW H 100-P-B	Top	-						✓	✓	✓		
MSW H 160-B-B	Base	300									✓	✓



Notes: 1) The handles for switch-disconnectors with mounting on base come with standard length shaft, according to the table above.
2) To supply only the handles is not applicable to the direct command switch and change-over switch.

Shaft for Panel Door Rotary Operating Handle

Reference code	Switch-disconnector mounting	Shaft length (mm)	MSW 12	MSW 16	MSW 20	MSW 25	MSW 40	MSW 63	MSW 80	MSW 100	MSW 125	MSW 160
MSW HS 185-40	Base	185	✓	✓	✓	✓	✓					
MSW HS 300-40	Base	300	✓	✓	✓	✓	✓					
MSW HS 185-160	Base	185						✓	✓	✓	✓	✓
MSW HS 300-160	Base	300						✓	✓	✓	✓	✓



Auxiliary Contact

- Direct mounting on the side of the switch-disconnector
- It is possible to install up to two auxiliary contacts per switch-disconnector

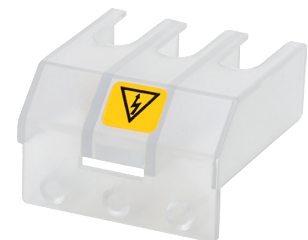
Reference code	Switch-disconnector mounting	Type	MSW 25	MSW 40	MSW 63	MSW 80	MSW 125	MSW 160
MSW AC-40 B 1NC	Base	1NC	✓	✓				
MSW AC-40 B 1NO	Base	1NO	✓	✓				
MSW AC-40 P 1NC	Top	1NC	✓	✓				
MSW AC-40 P 1NO	Top	1NO	✓	✓				
MSW AC-80 B 1NC	Base	1NC			✓	✓		
MSW AC-80 B 1NO	Base	1NO			✓	✓		
MSW AC-80 P 1NC	Top	1NC			✓	✓		
MSW AC-80 P 1NO	Base	1NO			✓	✓		
MSW AC 160-B-1NC	Base	1NC					✓	✓
MSW AC 160-B-1NO	Base	1NO					✓	✓



Terminal Cover

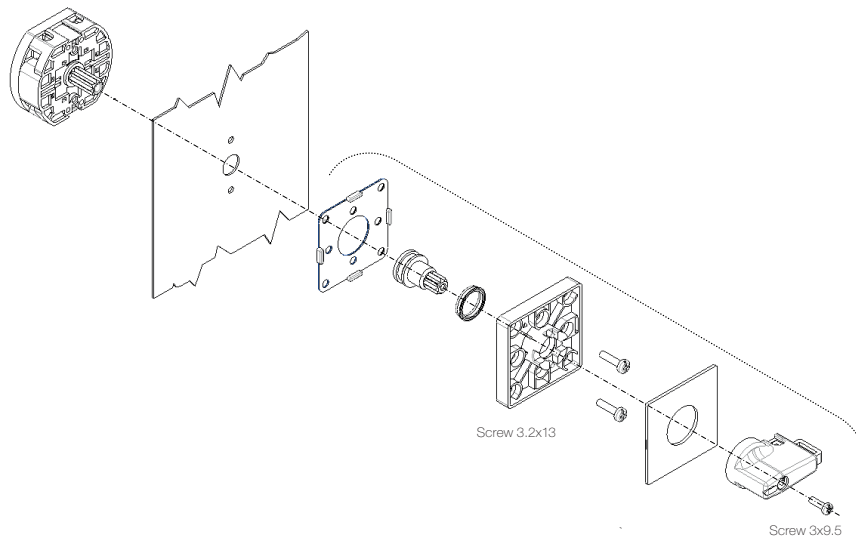
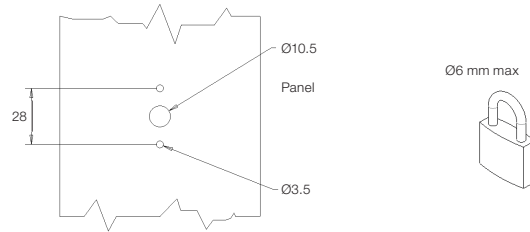
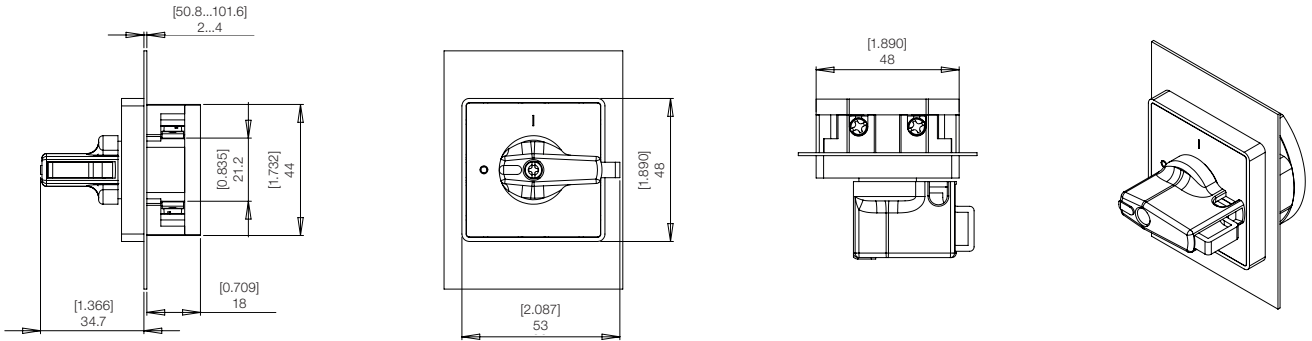
- Protection for the terminals against inadvertent touch

Reference code	Switch-disconnector mounting	MSW 25	MSW 40	MSW 63	MSW 80	MSW 100	MSW 125	MSW 160
MSW TS 40-B-3	Base	✓	✓					
MSW TS 40-P-3	Top	✓	✓					
MSW TS 40-1	Base or Top	✓	✓					
MSW TS 80-1	Base or Top			✓	✓			
MSW TS 80-B/P-3	Base or Top			✓	✓			
MSW TS 100-P-3	Top					✓		
MSW TS 160-1	Base or Top						✓	✓
MSW TS 160-3	Base						✓	✓



Dimensions

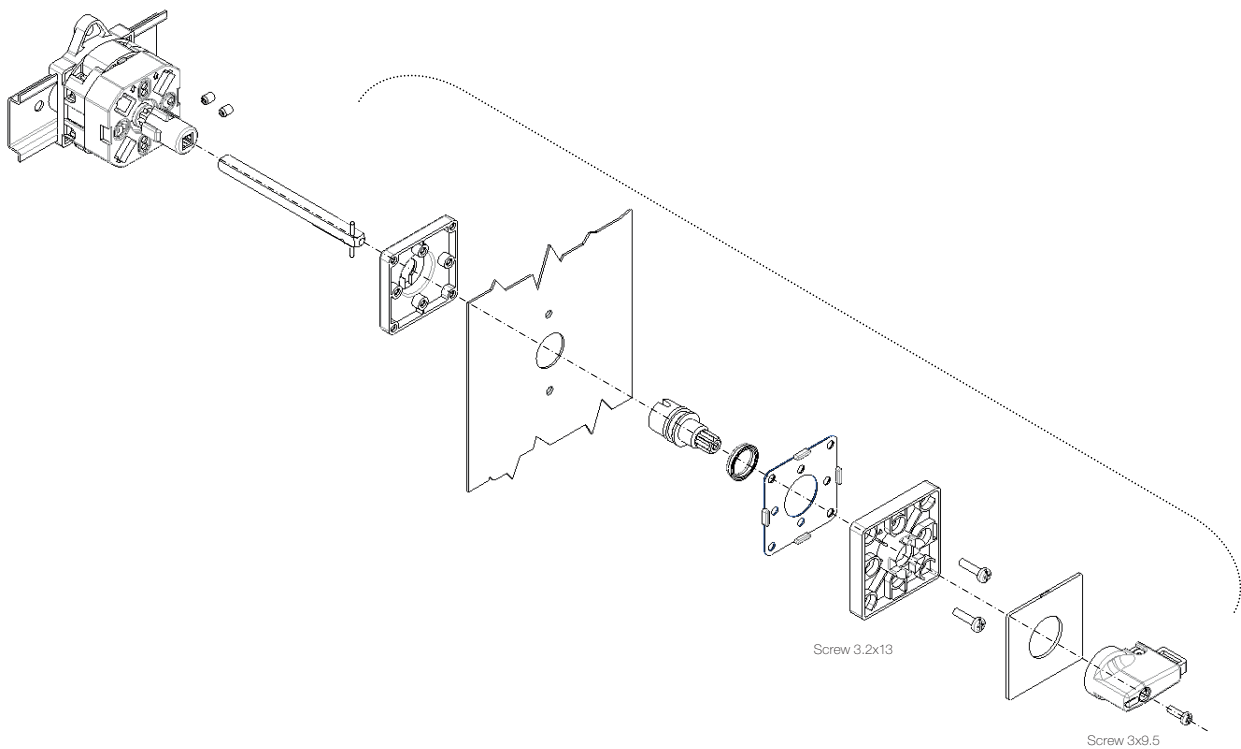
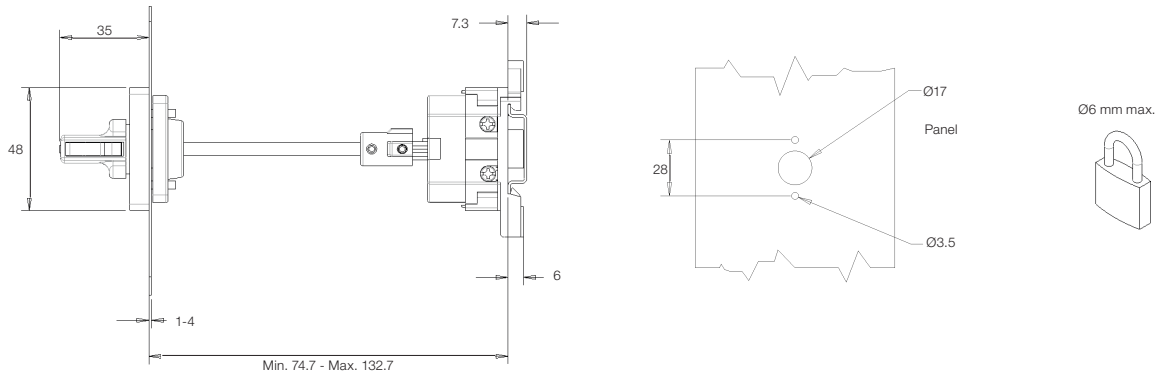
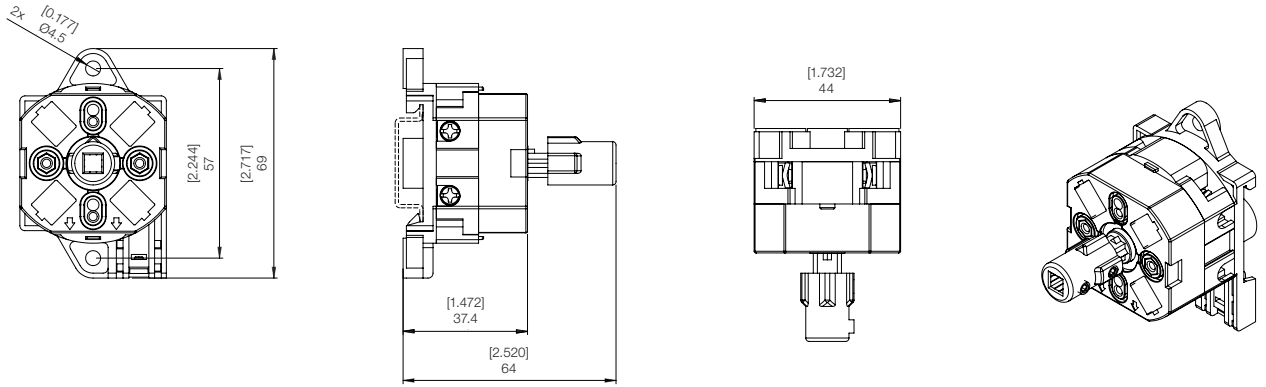
MSW 12...20P-2H



Note: dimensions in mm.

Dimensions

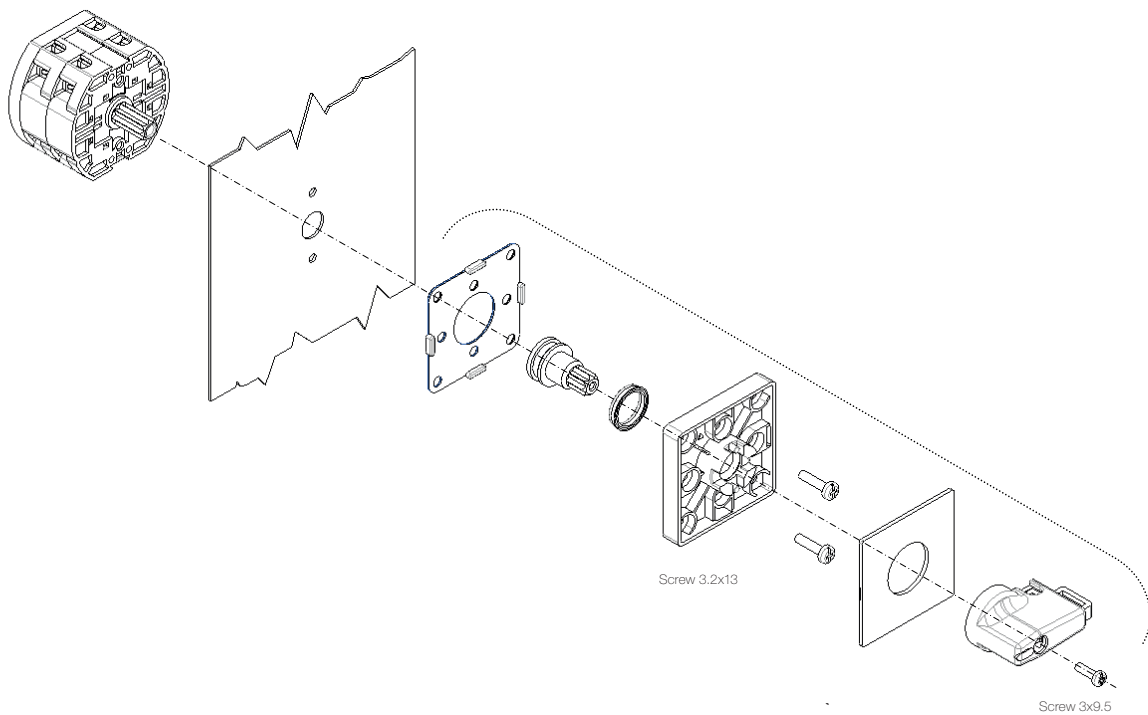
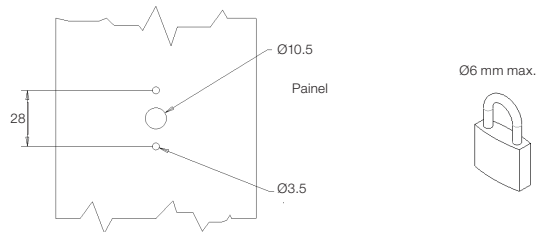
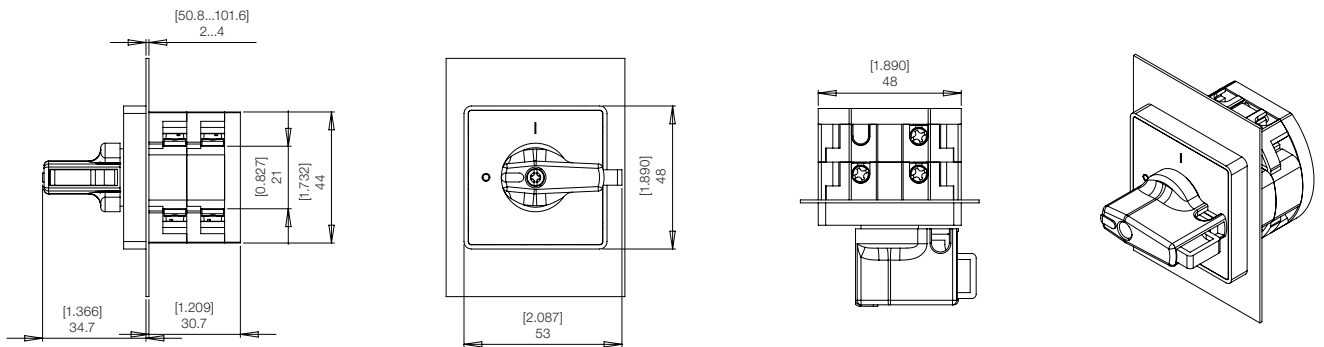
MSW 12...20B-2H



Note: dimensions in mm.

Dimensions

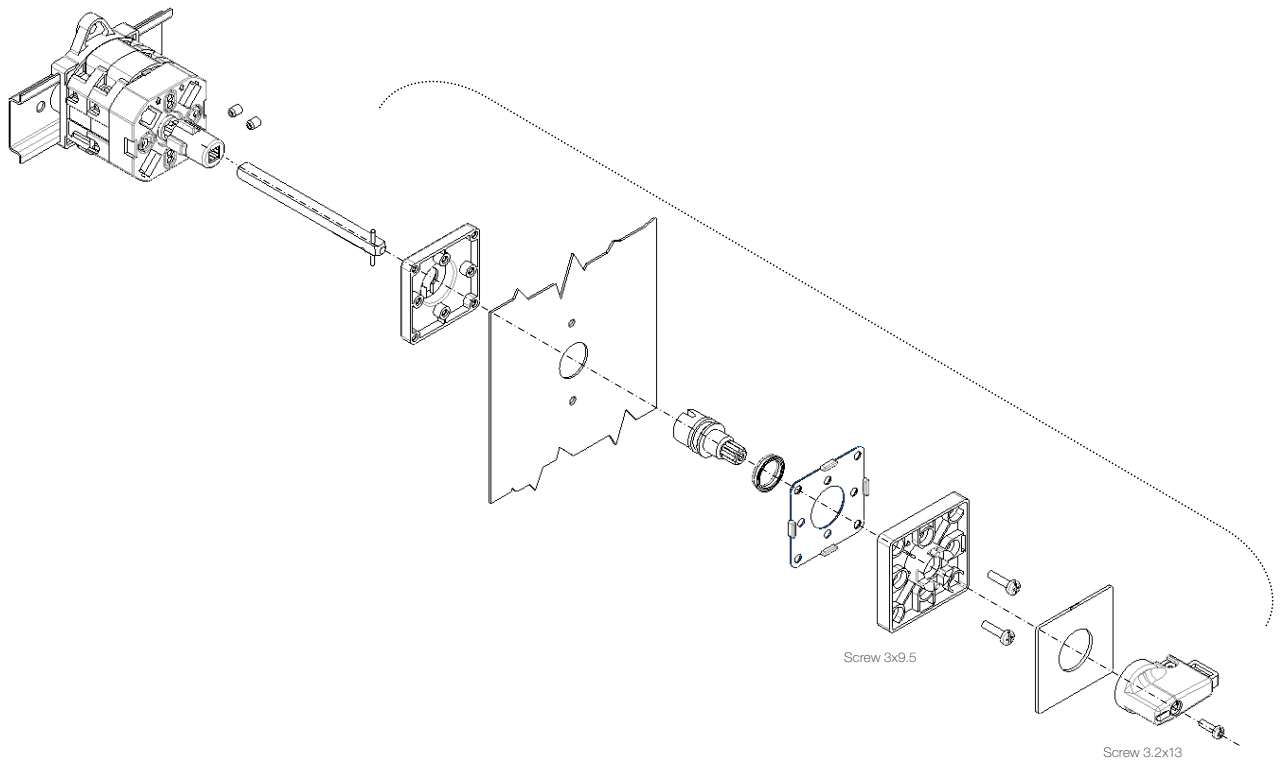
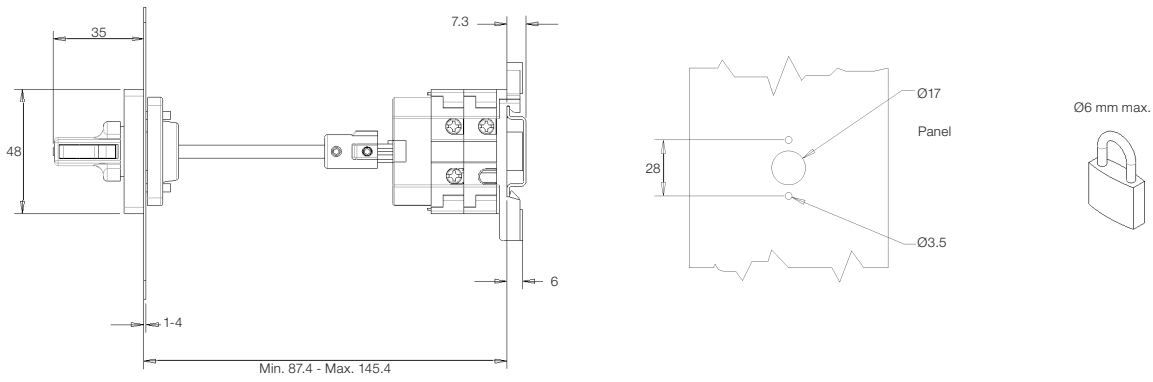
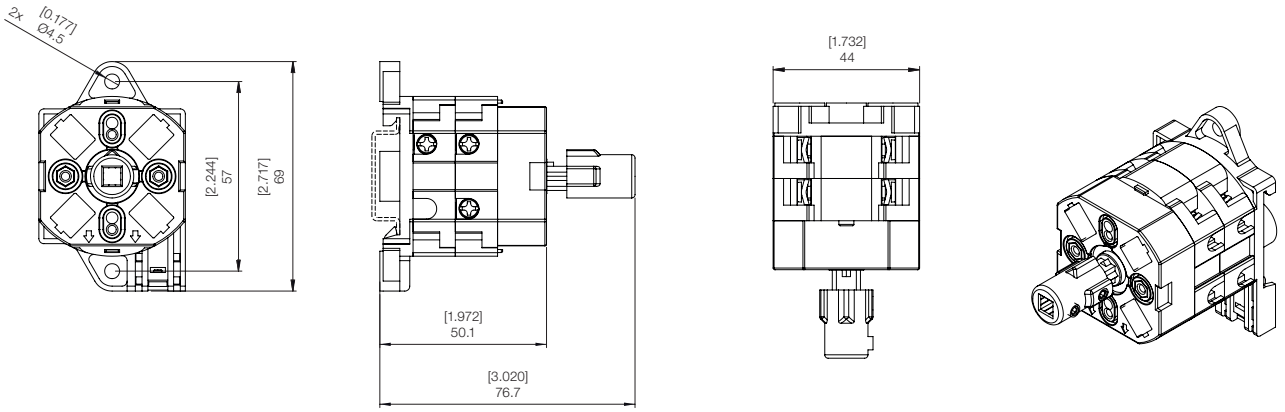
MSW 12...20P-3H



Note: dimensions in mm.

Dimensions

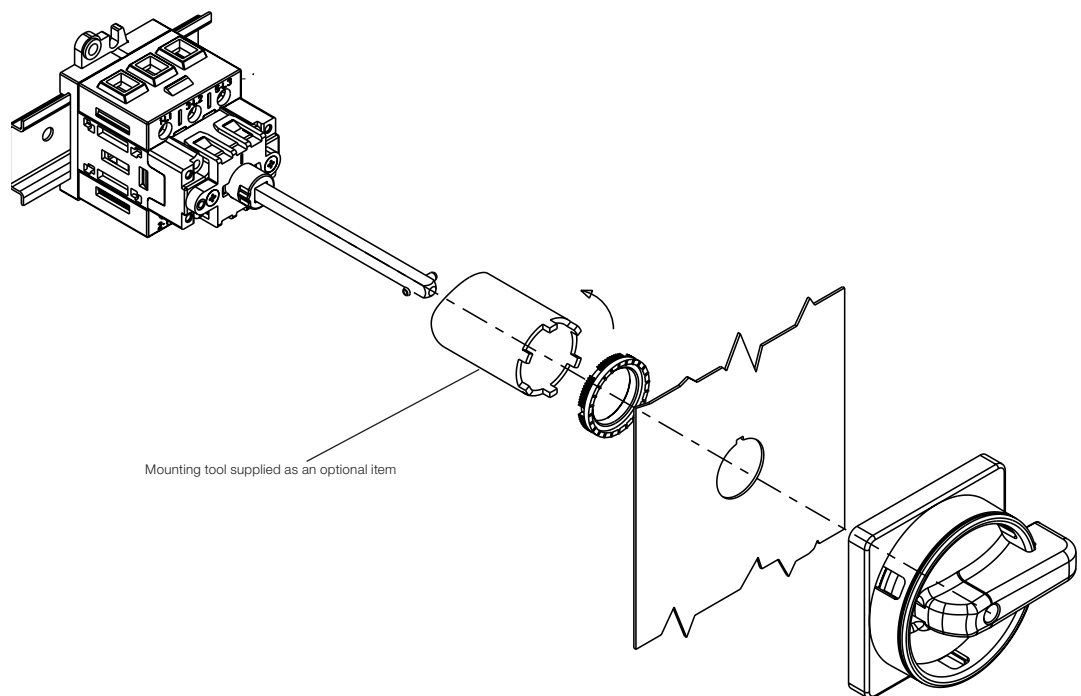
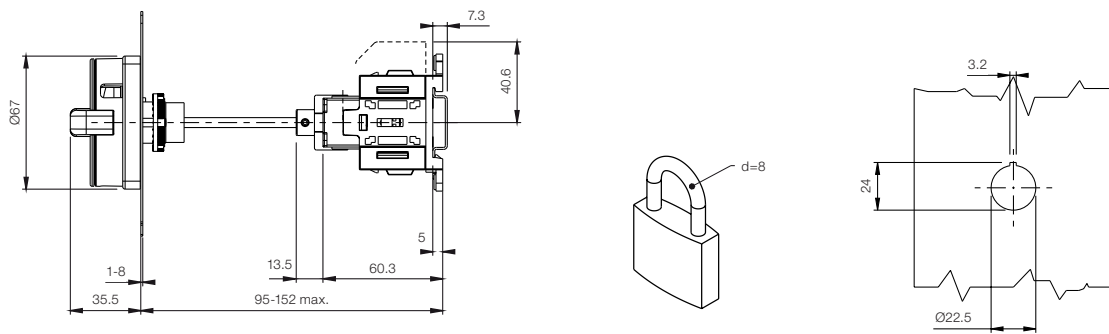
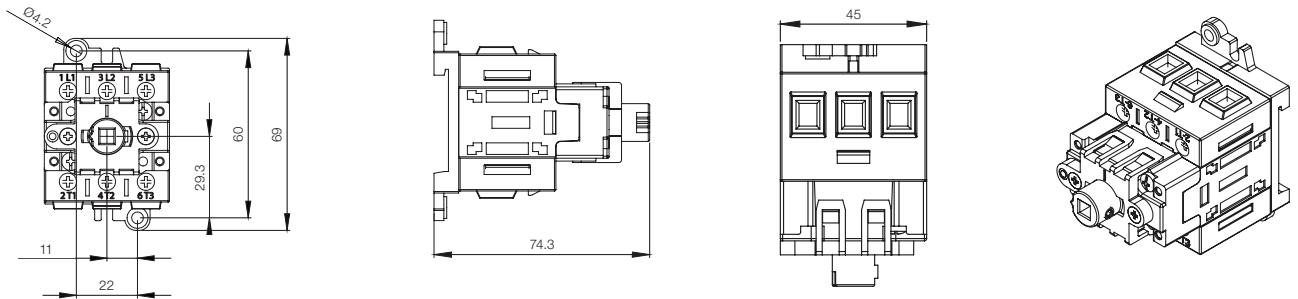
MSW 12...20B-3H



Note: dimensions in mm.

Dimensions

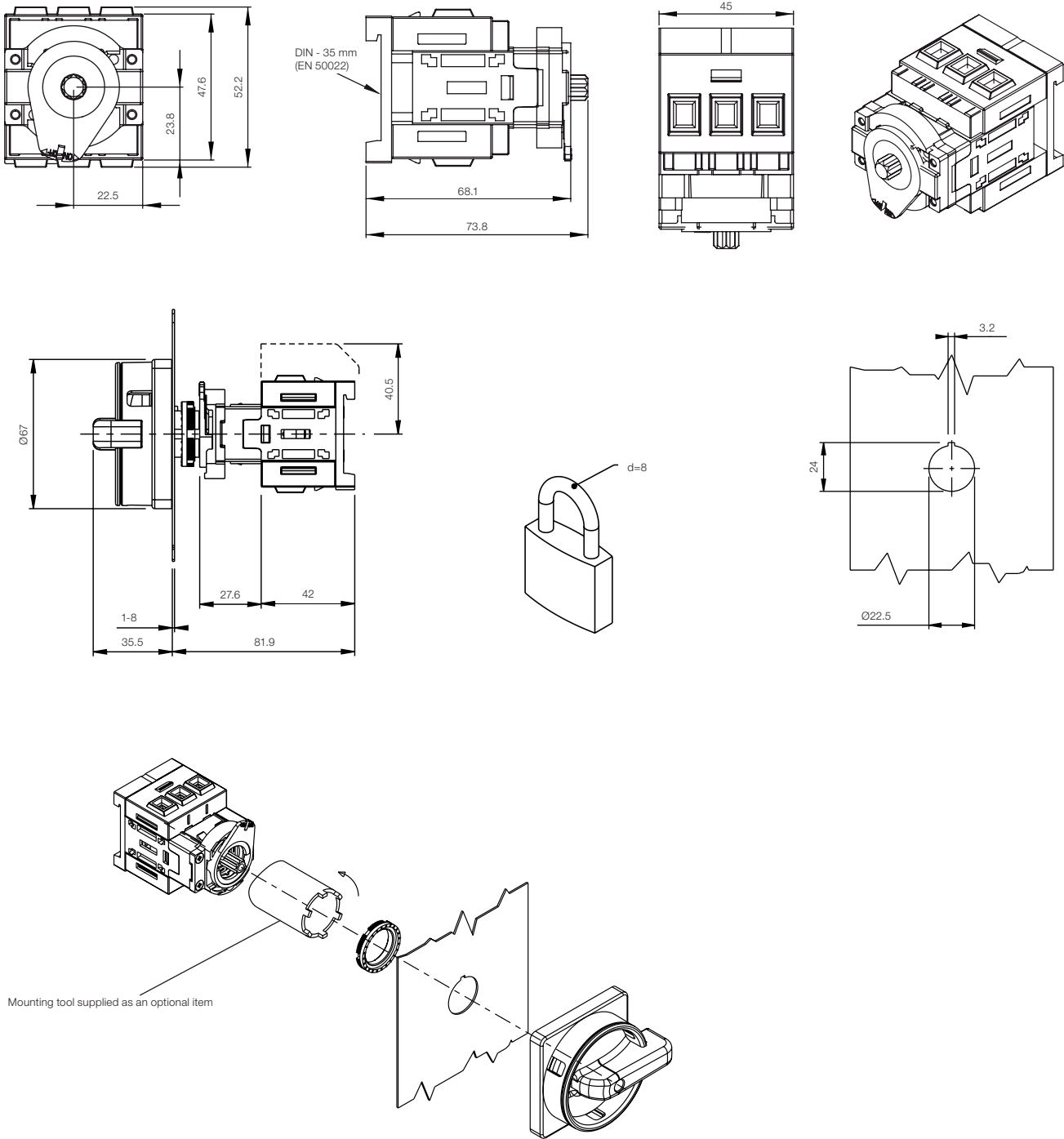
MSW 25...40B-3



Note: dimensions in mm.

Dimensions

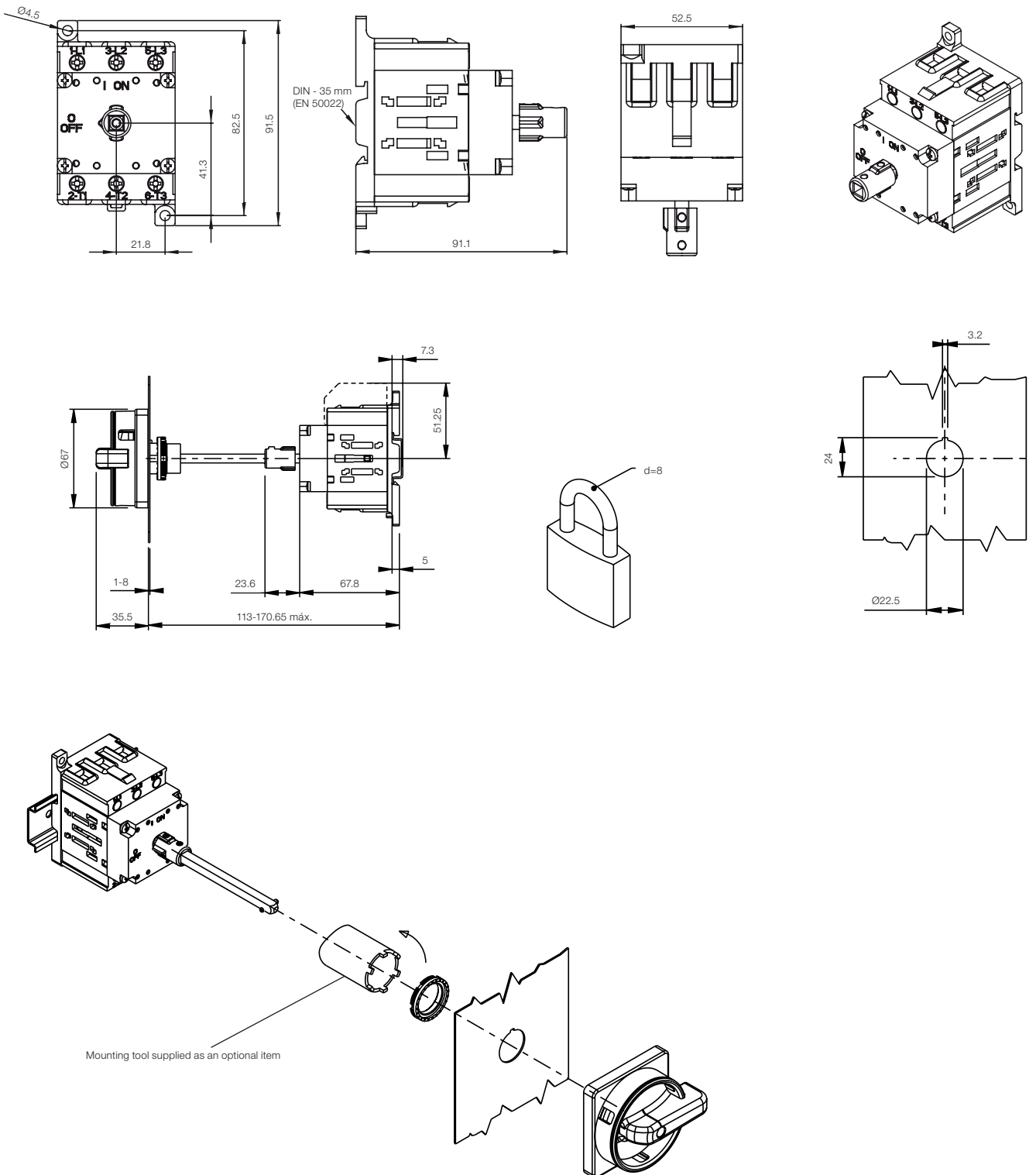
MSW 25...40P-3



Note: dimensions in mm.

Dimensions

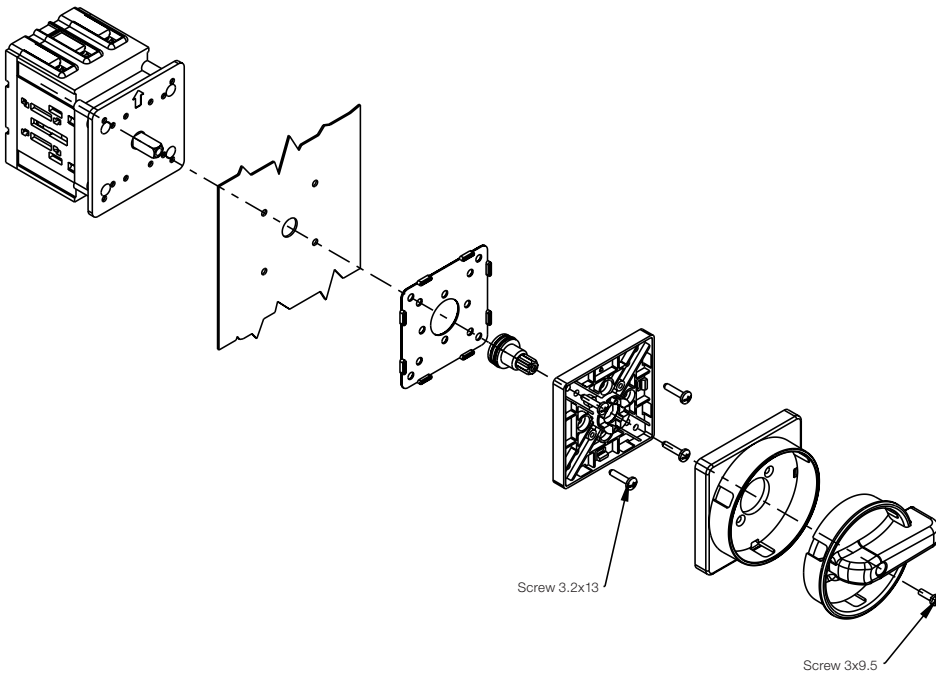
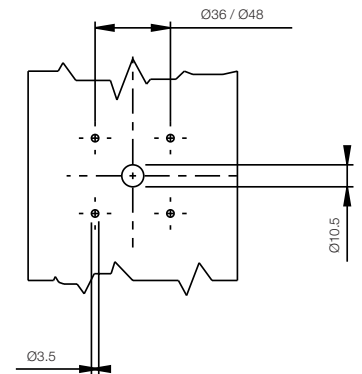
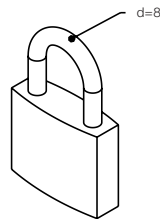
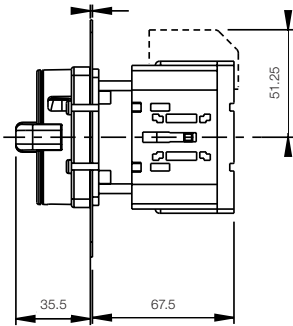
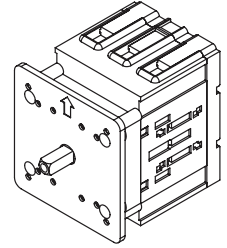
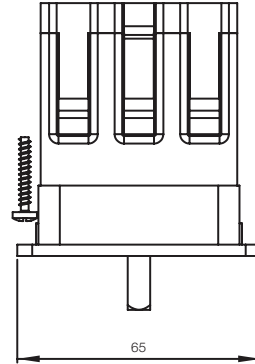
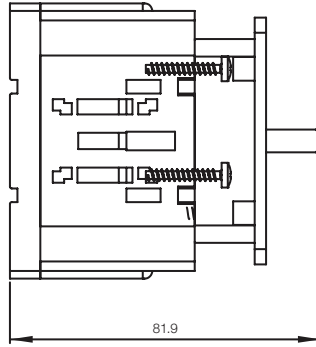
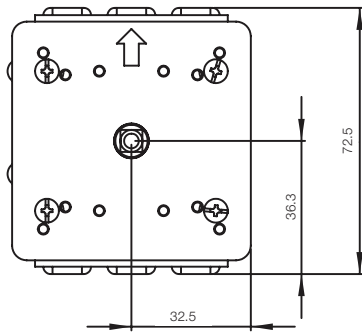
MSW 63...80B-3



Note: dimensions in mm.

Dimensions

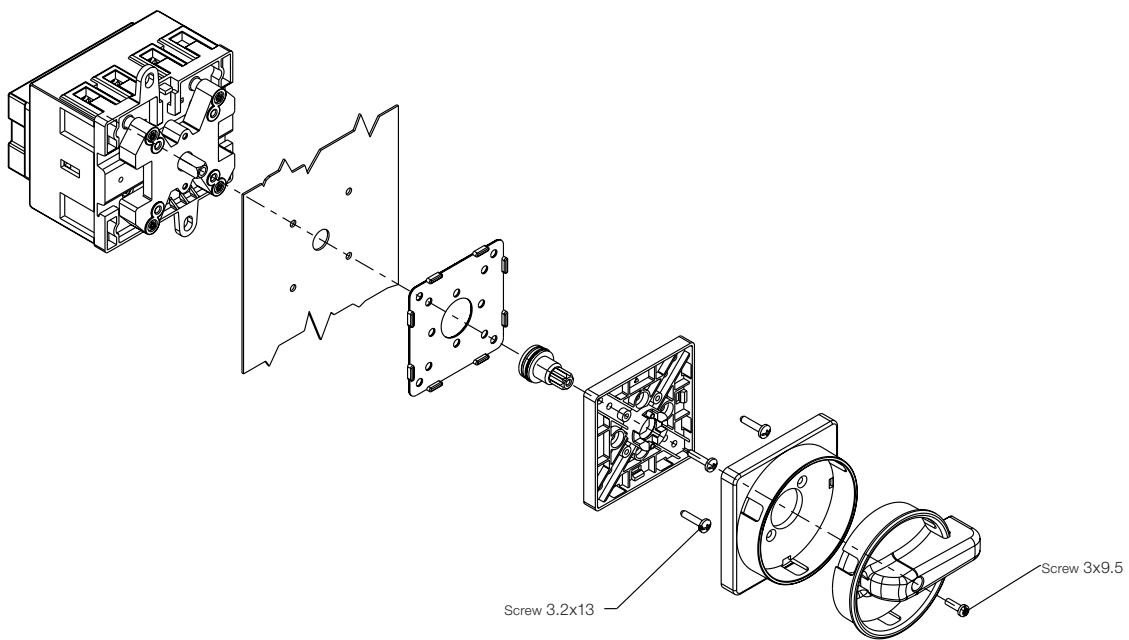
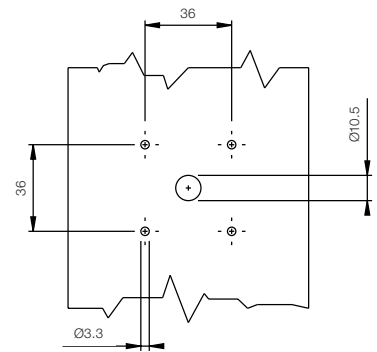
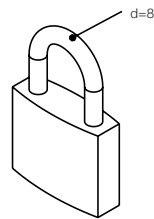
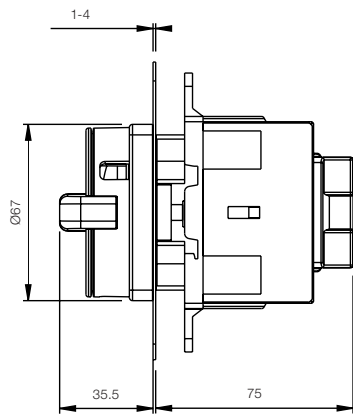
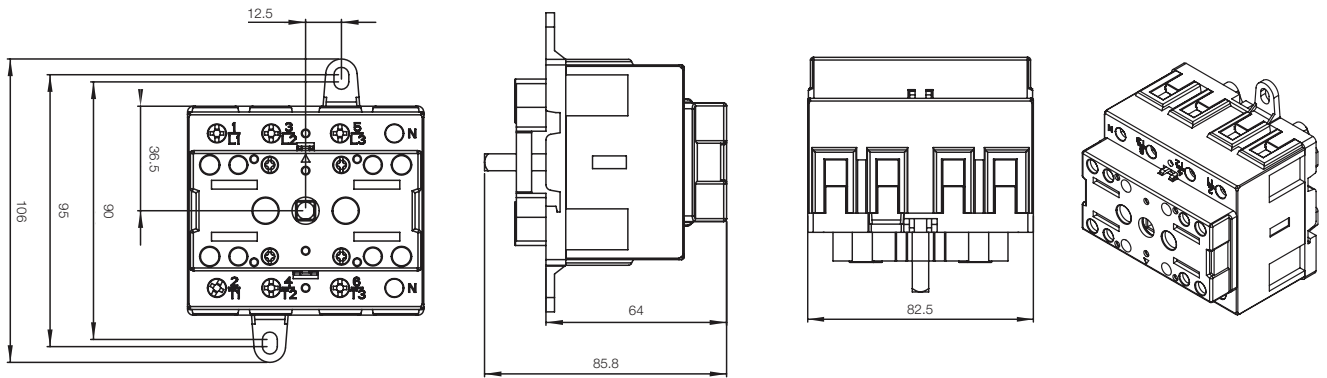
MSW 63...80P-3



Note: dimensions in mm.

Dimensions

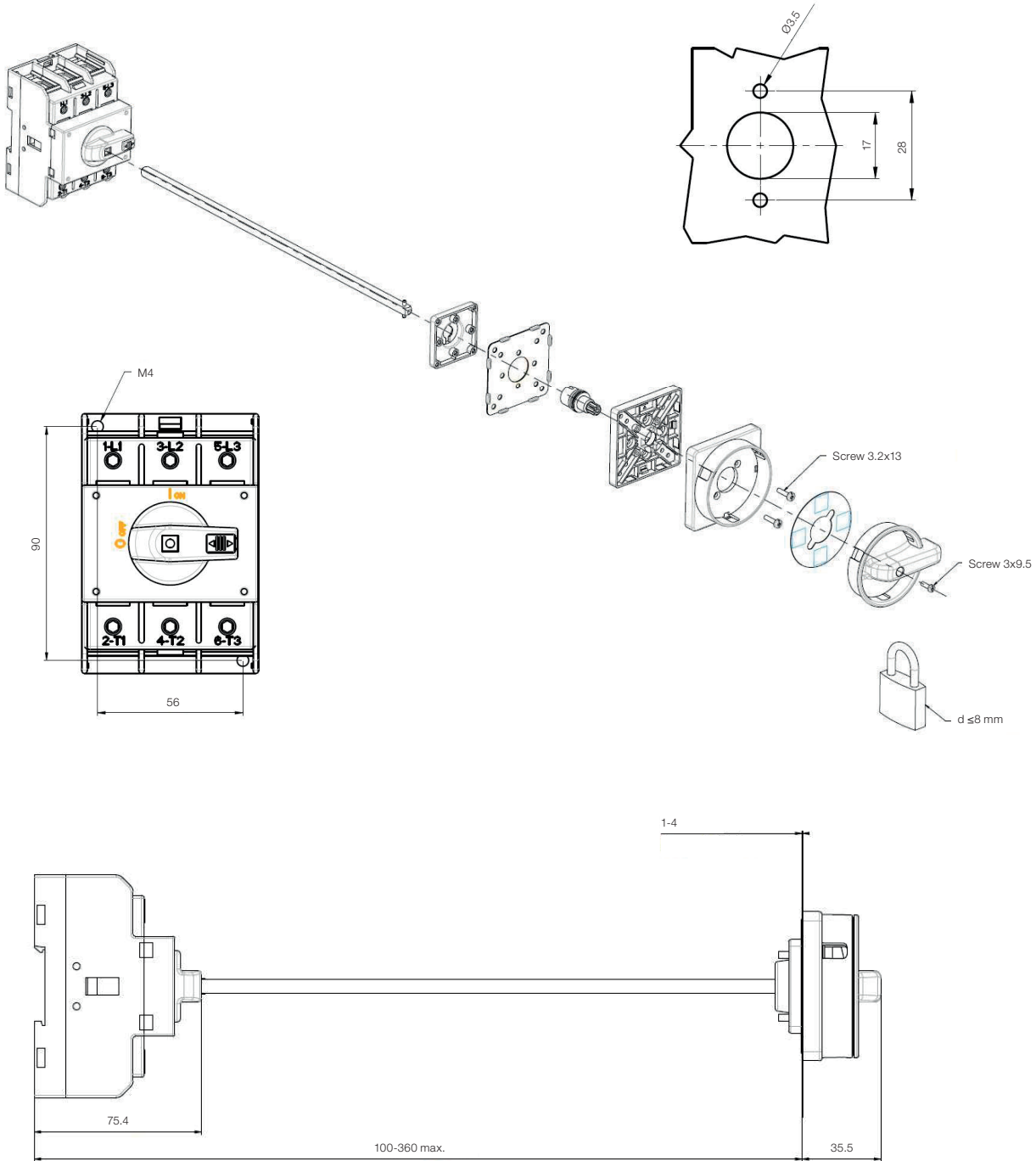
MSW100P-3



Note: dimensions in mm.

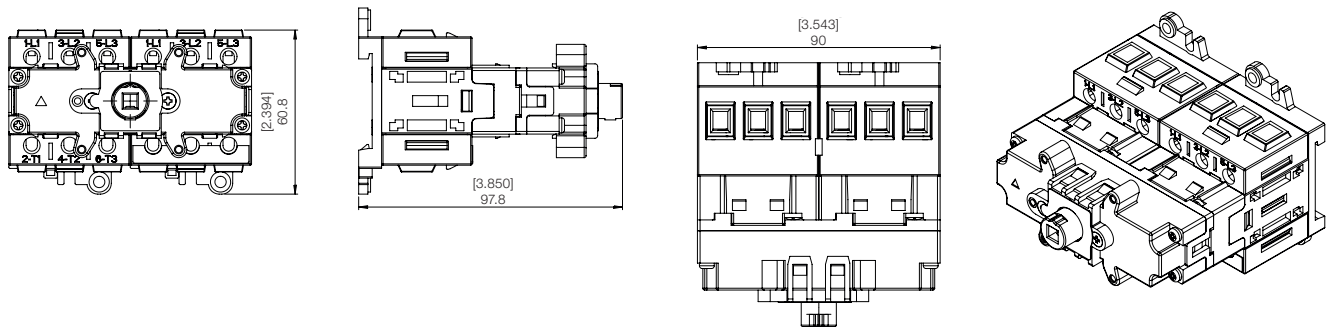
Dimensions

MSW125...160

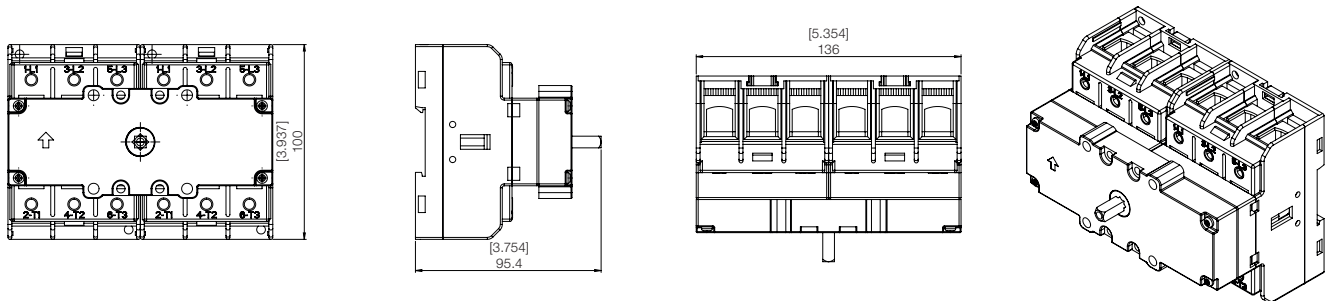


Dimensions

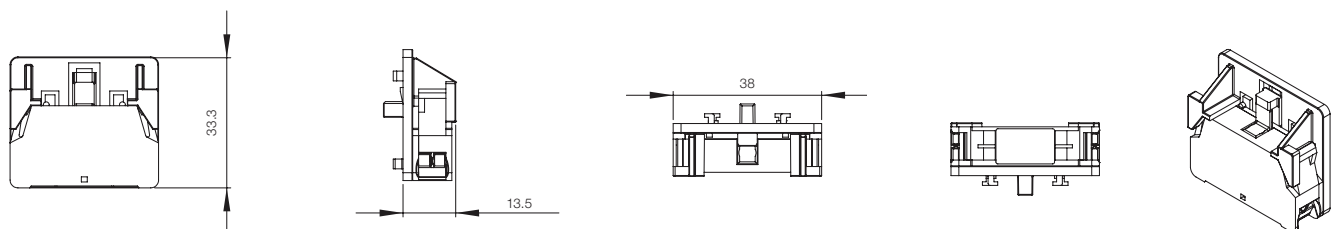
MSWR25/40



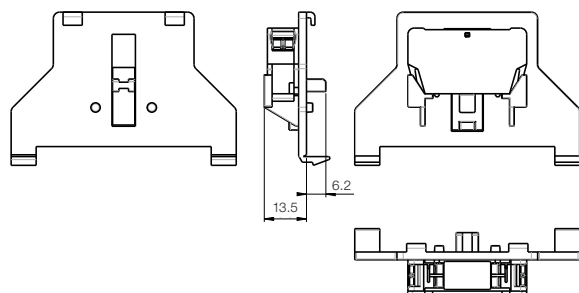
MSWR125/160



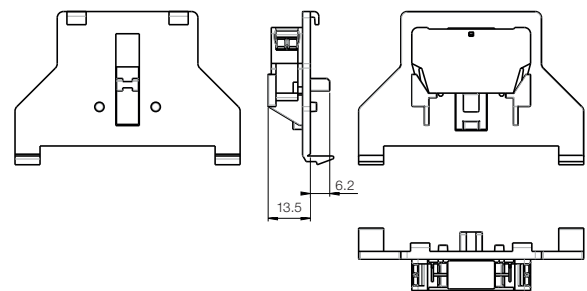
MSWAC-40...80B-1NC / MSWAC-40...80B-1NO / MSWAC-40...80P-1NC / MSWAC-40...80P-1NO



MSWAC-160B1NC



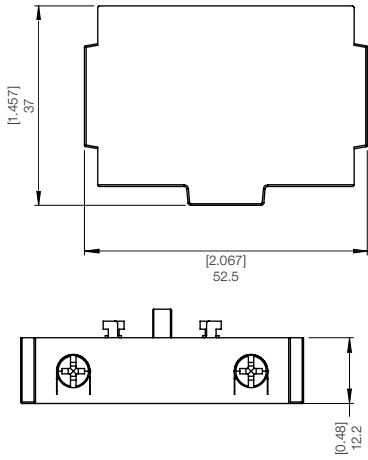
MSWAC-160B1NO



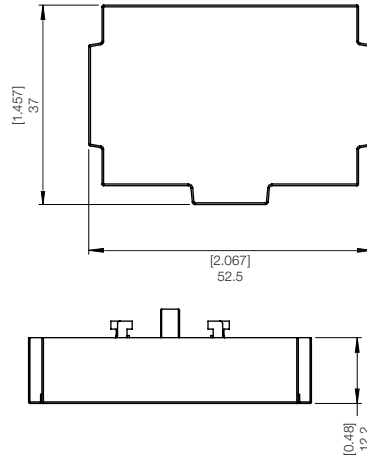
Note: dimensions in mm.

Dimensions

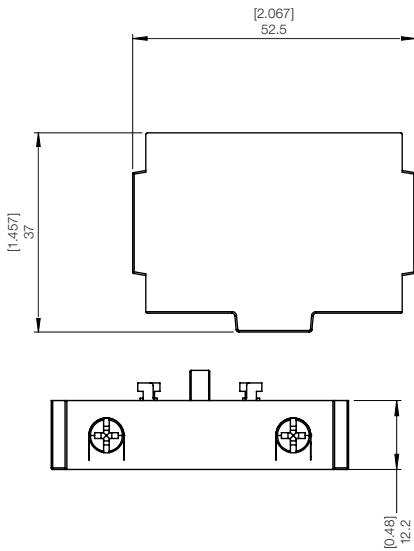
MSWAP25B-1NA



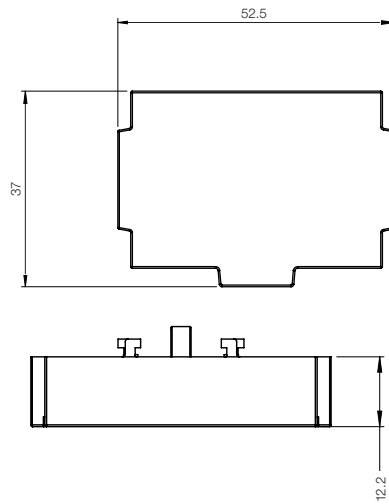
MSWAP25P-1NA



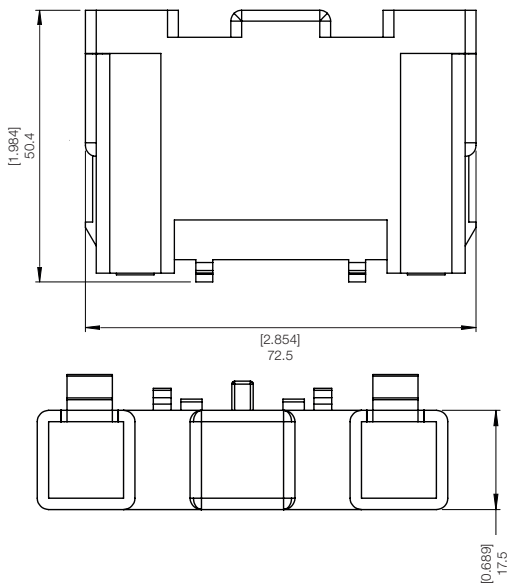
MSWAP40B-1NA



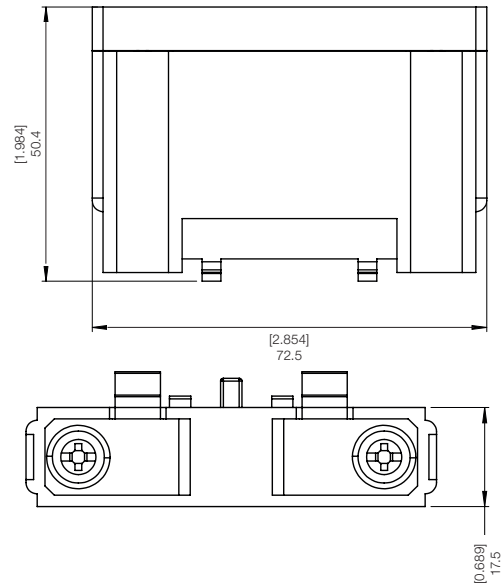
MSWAP40P-1NA



MSWAP63B-1NA

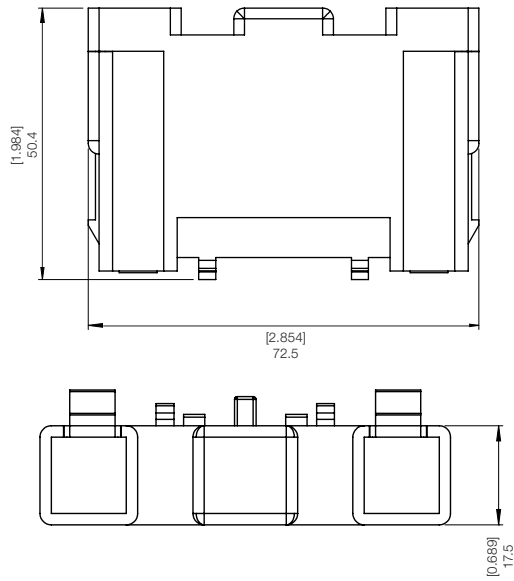


MSWAP63P-1NA

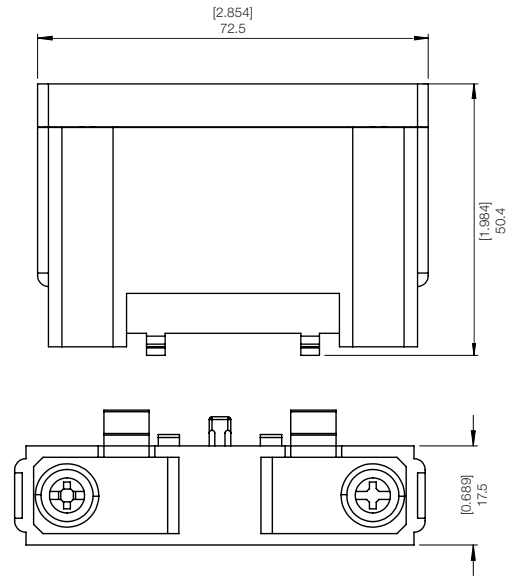


Dimensions

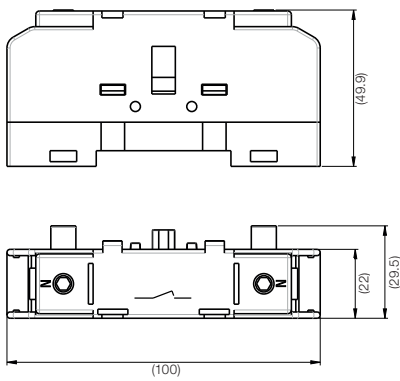
MSWAP80B-1NA



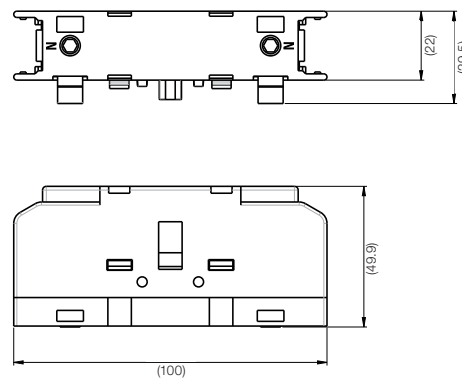
MSWAP80P-1NA



MSWAP160B-1NA

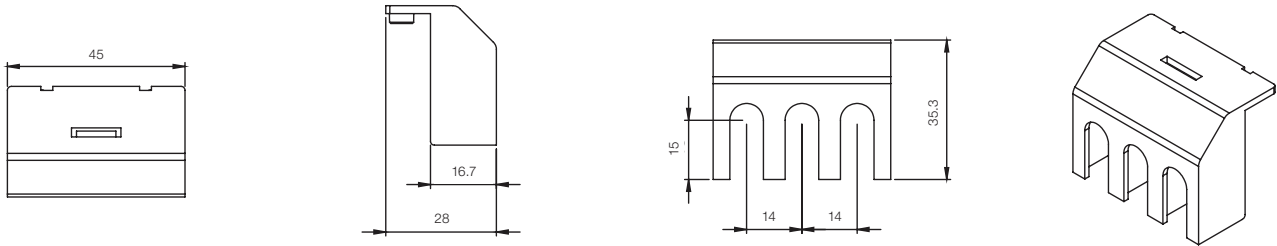


MSWAP160P-1NA

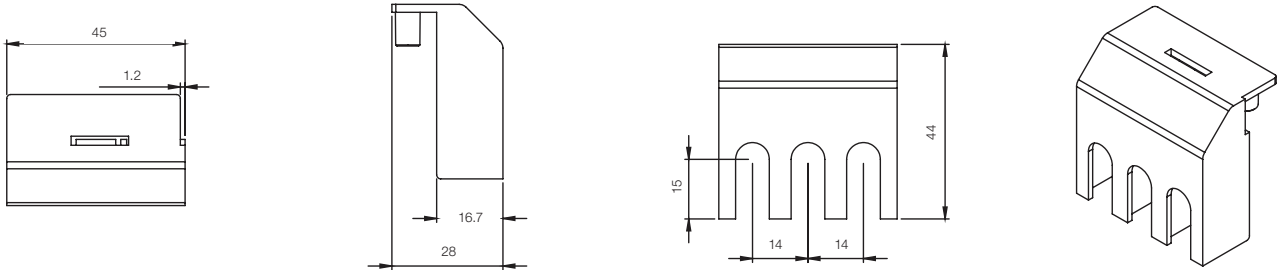


Dimensions

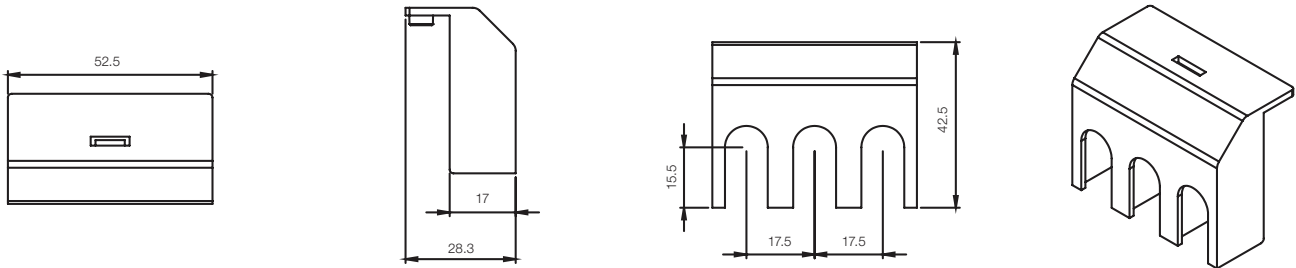
MSWTS-40B



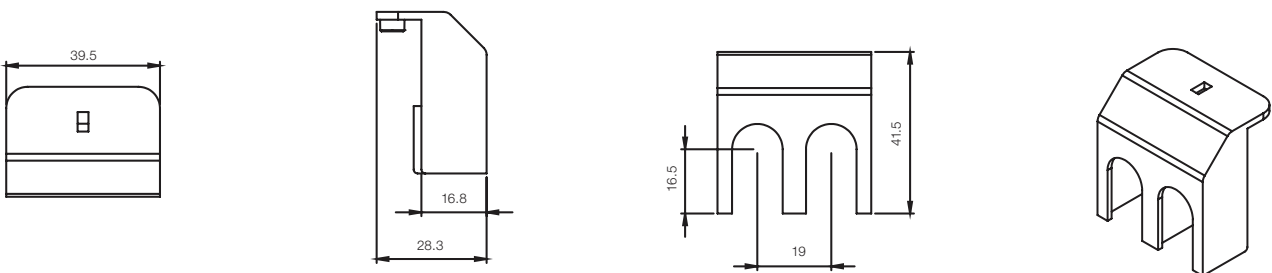
MSWTS-40P



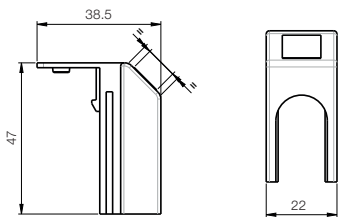
MSWTS-80B-P



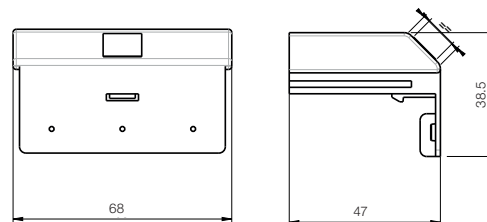
MSWTS-100P



MSWTS-160B-1



MSWTS-160B-3



Note: dimensions in mm.





Global presence is essential, as much as understanding your needs.


Global Presence

With more than 30.000 employees worldwide, WEG is one of the largest electric motors, electronic equipments and systems manufacturers. We are constantly expanding our portfolio of products and services with expertise and market knowledge. We create integrated and customized solutions ranging from innovative products to complete after-sales service.

WEG's know-how guarantees our **MSW Switch-Disconnectors** are the right choice for your application and business, assuring safety, efficiency and reliability.

 **Availability** is to have a global support network

 **Partnership** is to create solutions that suit your needs

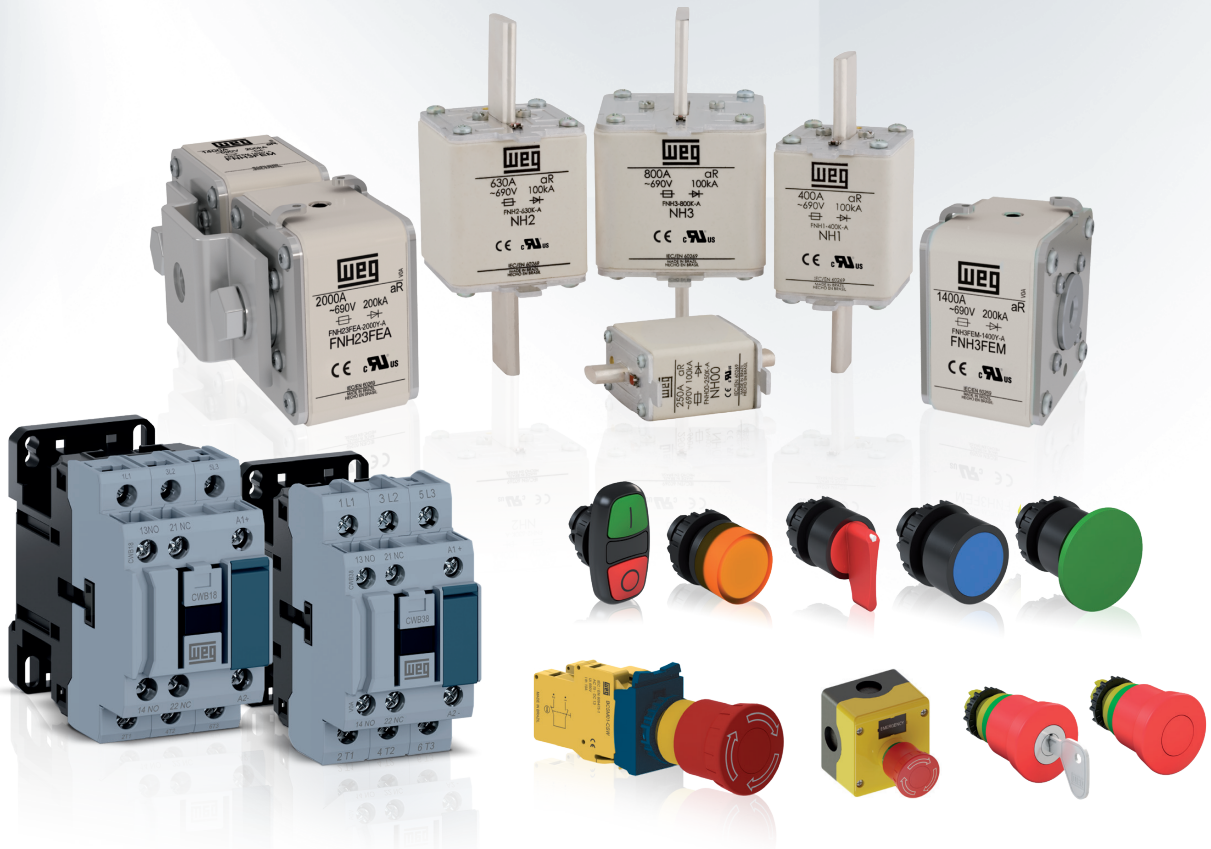
 **Competitive edge** is to unite technology and innovation



Know More



High performance and reliable products to improve your production process.



Excellence is to provide a whole solution in industrial automation that improves our customers productivity.

Visit: www.weg.net

 youtube.com/wegvideos

WEG Worldwide Operations

ARGENTINA

San Francisco - Cordoba
Phone: +54 3564 421484
info-ar@weg.net

Cordoba - Cordoba
Phone: +54 3514 641366
weg-morbe@weg.com.ar

Buenos Aires
Phone: +54 1142 998000
ventas@pulverlux.com.ar

AUSTRALIA

Scoresby - Victoria
Phone: +61 3 97654600
info-au@weg.net

AUSTRIA

Markt Piesting - Wiener
Neustadt-Land
Phone: +43 2 633 4040
watt@wattdrive.com

Vienna
Phone: +43 1 796 2048
wtr@weg.net

BELGIUM

Nivelles - Belgium
Phone: +32 67 888420
info-be@weg.net

BRAZIL

Jaraguá do Sul - Santa Catarina
Phone: +55 47 32764000
info-br@weg.net

CHILE

La Reina - Santiago
Phone: +56 2 27848900
info-cl@weg.net

CHINA

Nantong - Jiangsu
Phone: +86 513 85989333
info-cn@weg.net

Changzhou - Jiangsu
Phone: +86 519 88067692
info-cn@weg.net

Rugao - Jiangsu
Phone: +86 513 80672011
zhuhua@weg.net

COLOMBIA

San Cayetano - Bogota
Phone: +57 1 4160166
info-co@weg.net

Sabaneta - Antioquia
Phone: +57 4 4449277
info-co@weg.net

ECUADOR

El Batan - Quito
Phone: +593 2 5144339
wegecuador@weg.net

FRANCE

Saint-Quentin-Fallavier - Isère
Phone: +33 4 74991135
info-fr@weg.net

GERMANY

Türnich - Kerpen
Phone: +49 2237 92910
info-de@weg.net

Balingen - Baden-Württemberg
Phone: +49 7433 90410
info@weg-antriebe.de

Homburg (Efze) - Hesse
Phone: +49 5681 99520
info@akh-antriebstechnik.de

GHANA

Accra
Phone: +233 30 2766490
ghana@zestweg.com

INDIA

Bangalore - Karnataka
Phone: +91 080 46437450
info-in@weg.net

Hosur - Tamil Nadu
Phone: +91 4344 301577
info-in@weg.net

ITALY

Cinisello Balsamo - Milano
Phone: +39 2 61293535
info-it@weg.net

JAPAN

Yokohama - Kanagawa
Phone: +81 45 5503030
info-jp@weg.net

MALAYSIA

Shah Alam - Selangor
Phone: +60 3 78591626
info@wattdrive.com.my

MEXICO

Huehuetoca - Mexico
Phone: +52 55 53214275
info-mx@weg.net

Tizayuca - Hidalgo
Phone: +52 77 97963790
info-mx@weg.net

NETHERLANDS

Oldenzaal - Overijssel
Phone: +31 541 571080
info-nl@weg.net

PERU

La Victoria - Lima
Phone: +51 1 2097600
info-pe@weg.net

PORTUGAL

Maia - Porto
Phone: +351 22 9477700
info-pt@weg.net

RUSSIA and CIS

Saint Petersburg
Phone: +7 812 363 2172
sales-wes@weg.net

SOUTH AFRICA

Johannesburg
Phone: +27 (0) 11 7236000
info@zestweg.com

Cape Town
Phone: +27 (0) 21 507 7200
gentsets@zestweg.com

Heidelberg
Phone: +27 (0) 16 349 2683/4/5
wta@zestweg.com

SPAIN

Coslada - Madrid
Phone: +34 91 6553008
info-es@weg.net

Valencia
Phone: +34 96 1379296
info@autrial.es

SINGAPORE

Singapore
Phone: +65 68589081
info-sg@weg.net

Singapore
Phone: +65 68622220
info-sg@weg.net

SCANDINAVIA

Mölnlycke - Sweden
Phone: +46 31 888000
info-se@weg.net

UK

Redditch - Worcestershire
Phone: +44 1527 513800
info-uk@weg.net

UNITED ARAB EMIRATES

Jebel Ali - Dubai
Phone: +971 4 8130800
info-ae@weg.net

USA

Duluth - Georgia
Phone: +1 678 2492000
info-us@weg.net

Bluffton - Indiana
Phone: +1 800 5798527
info-us@weg.net

Minneapolis - Minnesota
Phone: +1 612 3788000
info-us@weg.net

Washington - Missouri
Phone: +1 636-239-9300
wegwill@weg.net

VENEZUELA

Valencia - Carabobo
Phone: +58 241 8210582
info-ve@weg.net

For those countries where there is not a WEG own operation, find our local distributor at www.weg.net.



WEG Group - Automation Business Unit
Jaraguá do Sul - SC - Brazil
Phone: +55 47 3276 4000
automacao@weg.net
www.weg.net

