

Analogue level-measurement

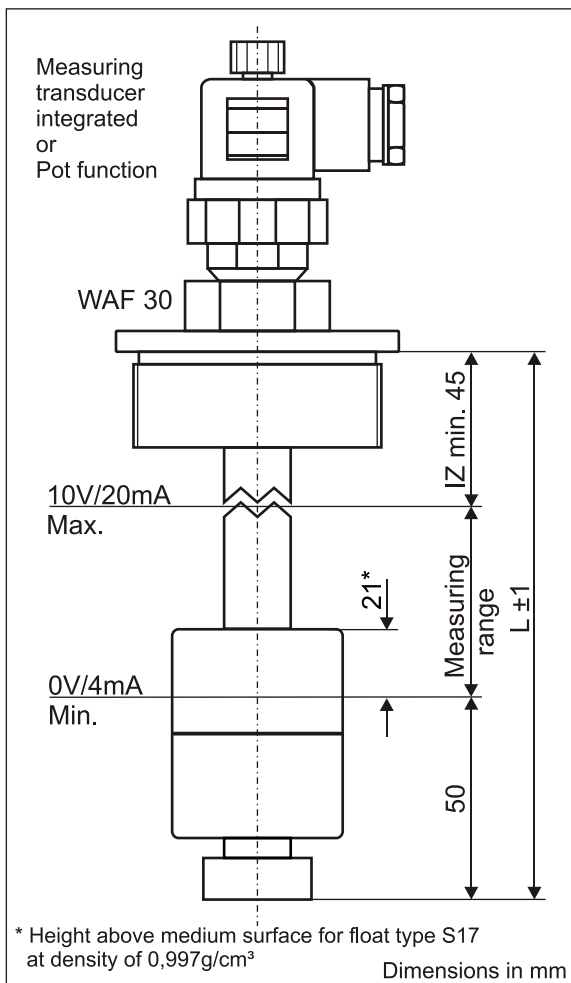
Type: ANM-200... Potentiometer function

ANM-201... 4 ... 20mA

ANM-202... 0 ... 10V

ANM-203... 3 wire technology for measuring transducer

- All liquid-affecting parts are made of PP
- Signal outputs pot function; 4-20mA; 0-10V; 3-wire for measuring transducer SAP
- Measuring system reed chain, resolution 2.54mm or 5.08mm possible
- Measuring length as per customer's indication



Terminal diagram

Active - with measuring transducer
4-20mA or 0-10V

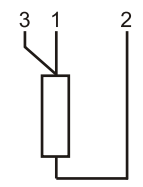
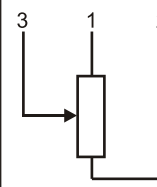
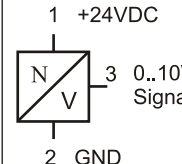
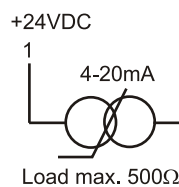
Passive - without measuring transducer

ANM-201
4...20mA

ANM-202
0...10V

ANM-200
Pot function
min.-max.

ANM-203
3-wire for SAP
min.-max.



Order key

Example:

ANM-201. 70. 340. 5

Type: ANM-200-;201-;202-;203-

Inactive zone (IZ) e.g. 70mm
measuring range

Length L in mm e.g.: 340mm

Resolution: 2,5 or 5,08mm

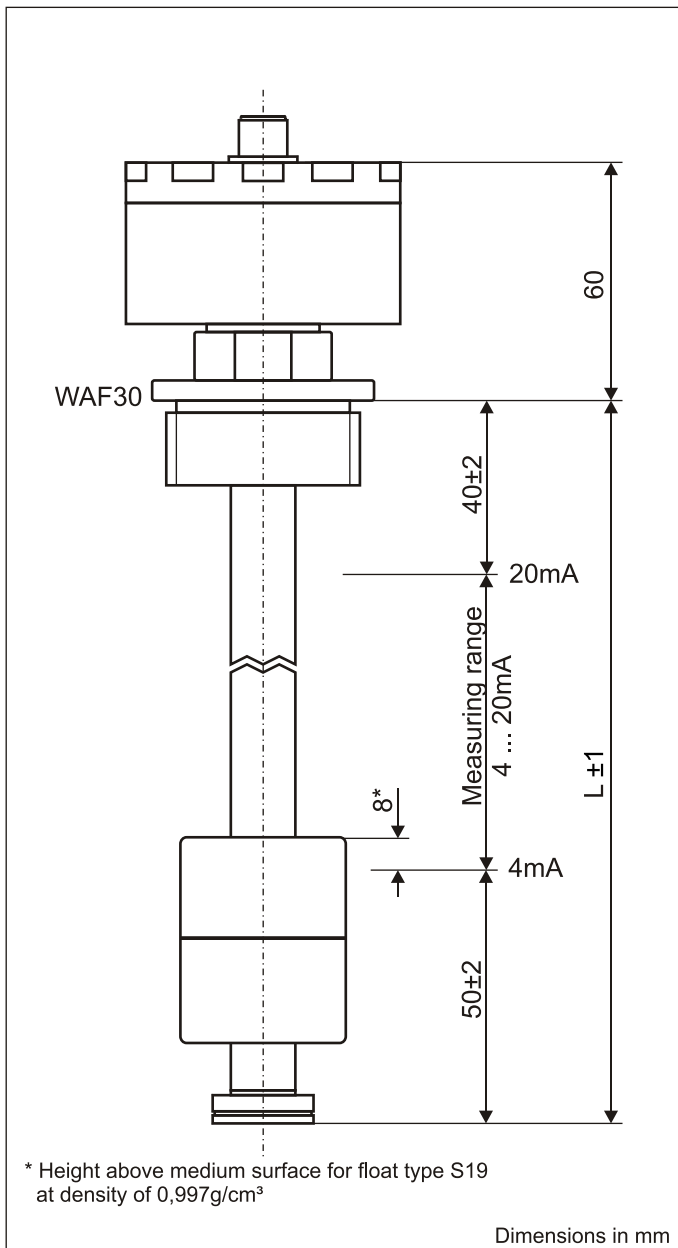
Technical data

Connection:	3-pole plug-type connector as per DIN EN 75301-803 with knurled screw, material PA
Mounting:	2" thread, material PP
Seal:	O-Ring, material Viton
Sliding tube:	∅16mm, material PP, length L ± 1mm as per customer specification
Float:	∅41x50mm, material PP, type S17
Measuring system:	reed chain, resolution 2.54mm or 5.08mm
Output, measurement range:	pot function: type ANM-200, 4-20mA: type ANM-201 0-10V: type ANM-202, 3-wire for measuring transducer SAP: type ANM-203 measuring range = L - IZ - 50mm. measuring transducer is integrated in plug housing with types ANM-201 and ANM-202.
Inactive Zone:	IZ accord. to customer specification, min. 45mm
Pressure:	1 bar
Operating temperature:	-20°C to 80°C in medium, -20°C to 70°C above mounting
Protection rating:	IP65

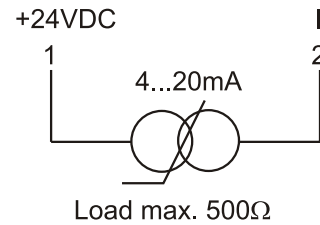
Data sheet

Analogue level-measurement

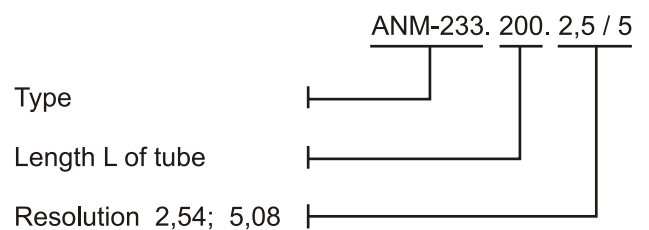
Type: ANM-233...



Terminal diagram



Order key



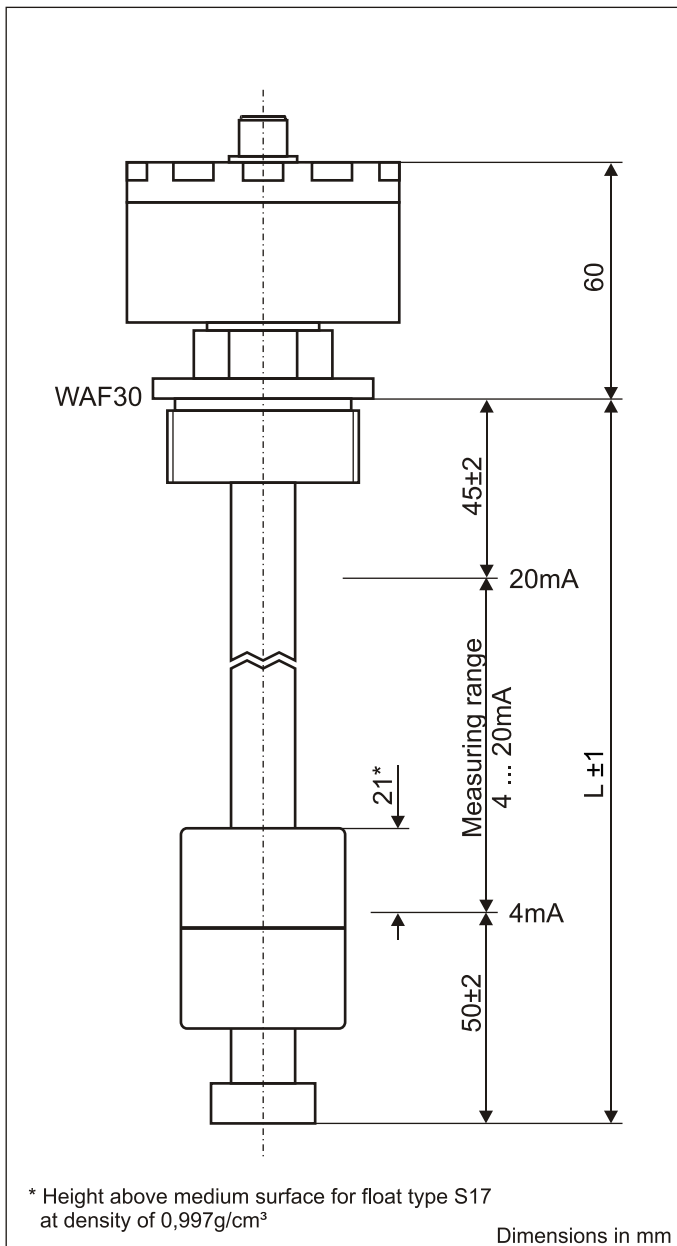
Technical data

Connection:	plug-type connector M12x1 4-pole, material TPU on PVDF-housing ø68x40mm
Mounting:	thread 1 1/2", material PVDF
Tube:	ø16mm, length L in mm acc. to specification, material PVDF
Float:	ø41x50mm, material PVDF, type S19
Resolution:	2,54mm or 5,08mm
Measuring range level:	reed chain according to specification
Load:	4 ... 20mA over a length L of 90mm = measuring range
Supply voltage:	max. 500 Ohm
Pressure:	24VDC ±15%, reverse polarity protected
Operating temperature:	max. 1 bar
Protection rating:	-20°C to 100°C in medium, -20°C to 70°C above mounting
	IP 65

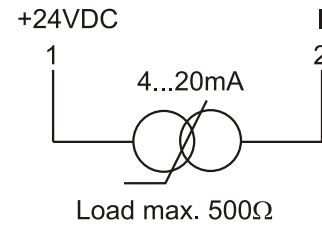
Data sheet

Analogue level-measurement

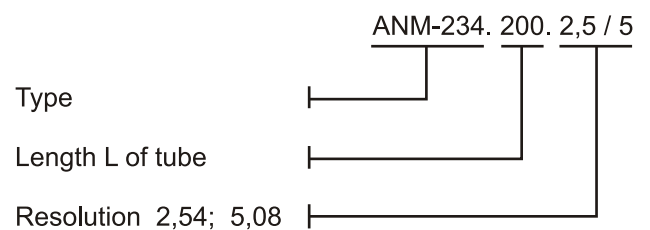
Type: ANM-234...



Terminal diagram



Order key



Technical data

Connection:	plug-type connector M12x1 4-pole, material TPU on PP-housing ø68x40mm
Mounting:	thread 1 1/2", material PP
Tube:	ø16mm, length L in mm according to specification, material PP
Float:	ø41x50mm, material PP, type S17
Resolution:	2,54mm or 5,08mm
Measuring range level:	reed chain according to specification
Load:	4 ... 20mA over a length L of 95mm = measuring range
Supply voltage:	max. 500 Ohm
Pressure:	24VDC ±15%, reverse polarity protected
Operating temperature:	max. 1 bar
Protection rating:	-20°C to 80°C in medium, -20°C to 70°C above mounting
	IP 65