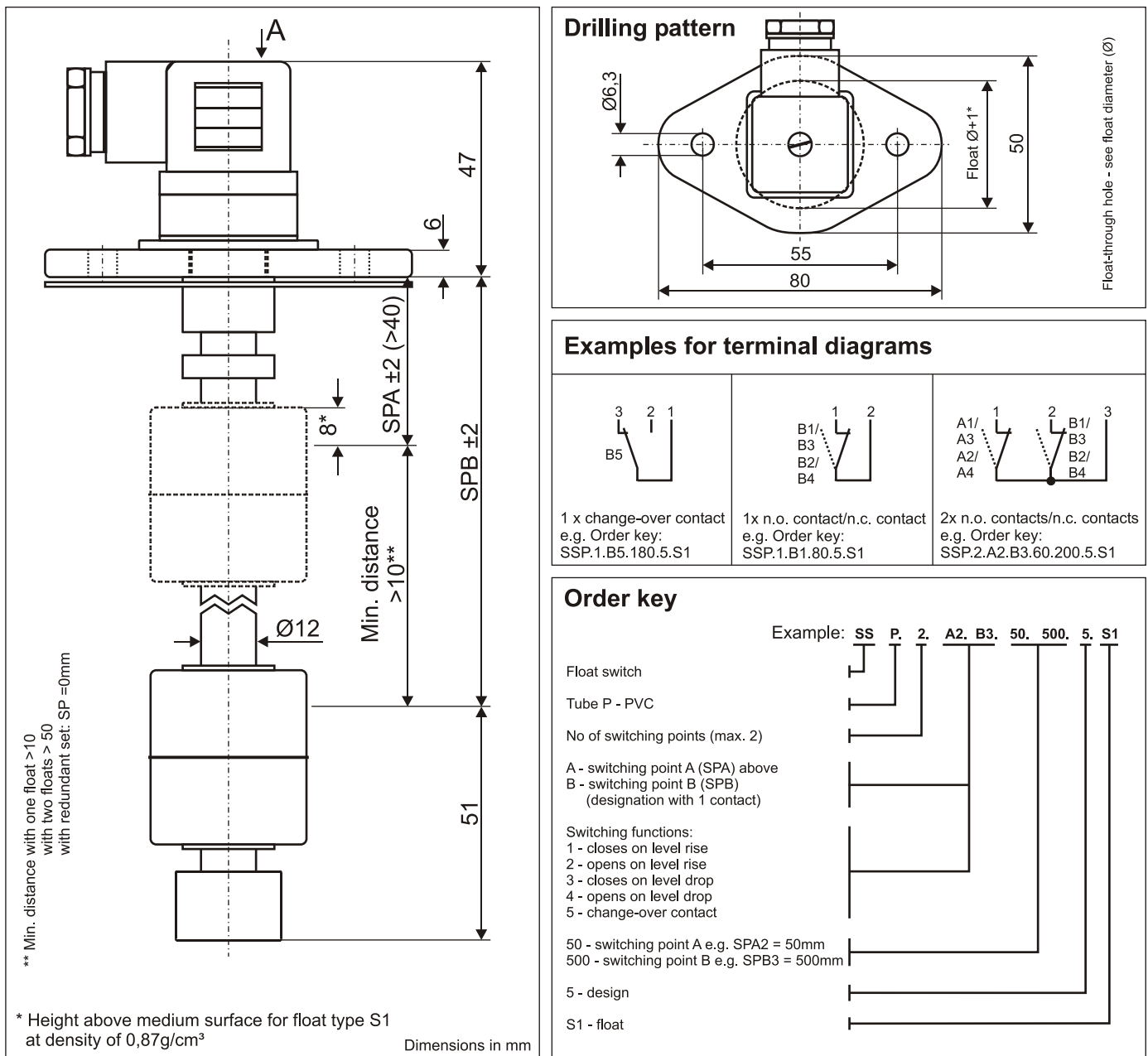


Data sheet

Float switch plastic design 5

Type: SSP...5...

Device with temperature sensor or temperature switch combinable,
see also level / temperature measurement technology combined



Technical data

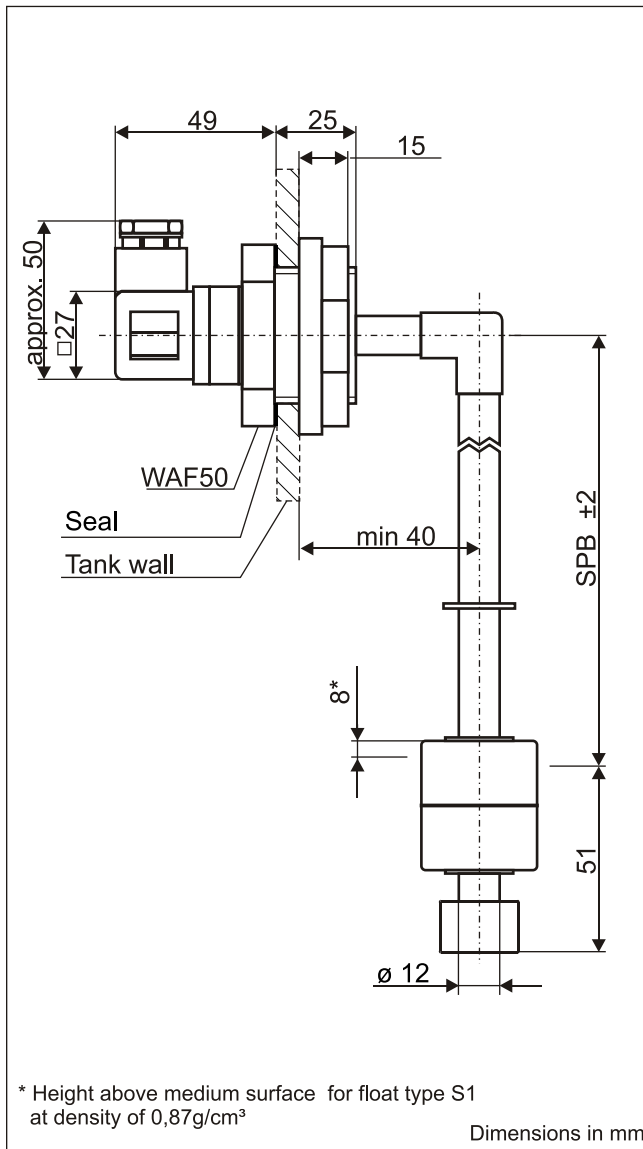
Connection:	plug-type connector 3-pole + PE, DIN EN 175301-803 (DIN 43650), material PA
Mounting:	oval-flange 80x50mm, material PA
Seal:	material NBR
Tube:	$\varnothing 12$ mm, material PVC
Float:	$\varnothing 35 \times 40$ mm, material PP, type S1
Switching points:	reed contacts: max. 2x n.o. contacts/n.c. contacts or 1x change-over contact
Switching voltage, current, capacity:	230 VAC, 1A, 60VA
Pressure:	atmospheric
Operating temperature:	-10°C to 60°C in medium; -20°C to 70°C above mounting
Protection rating:	IP 65

Data sheet

Float switch design 4

for mounting in tank walls

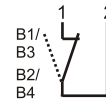
Type: SSP...4...



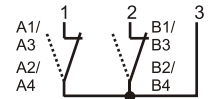
Examples for terminal diagrams



1 X change-over contact
e.g. Order key:
SSP.1.B5.180.4.S1



1 x n.o. contact/n.c. contact
e.g. Order key:
SSP.1.B1.80.4.S1



2 x n.o. contacts/n.c. contacts
e.g. Order key:
SSP.2.A2.B3.60.200.4.S1

Order key

Float switch

Tube P - PVC

No. of switching points (max. 2)

A - switching point A (SPA) above
B - switching point B (SPB)
(designation with 1 contact)

Switching functions:

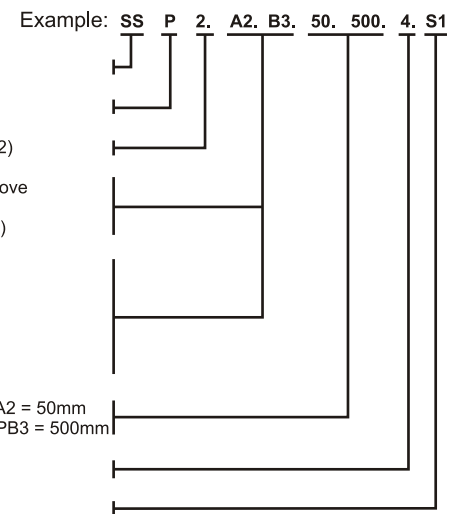
- 1 - closes on level rise
- 2 - opens on level rise
- 3 - closes on level drop
- 4 - opens on level drop
- 5 - change-over contact

50 - switching point A e.g. SPA2 = 50mm

500 - switching point B e.g. SPB3 = 500mm

4 - design

S1 - float - see technical data



Technical data

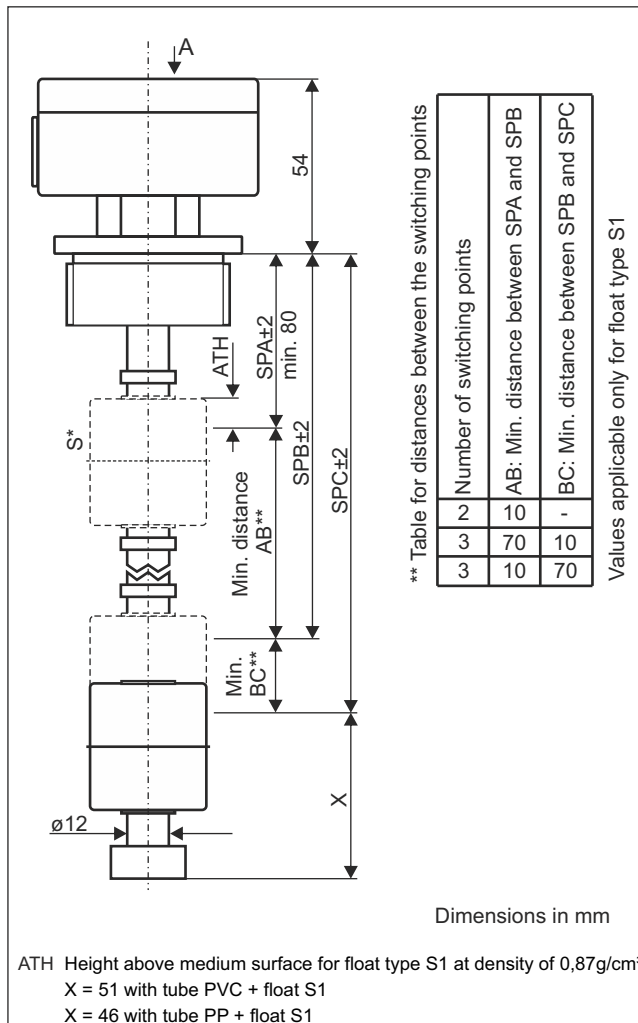
Connection:	plug-type connector 3-pole + PE, DIN EN 175301-803 (DIN 43650), material PA
Mounting:	screwed connection 1 1/4", material PVC further mountings on request
Seal:	material EPDM
Tube:	ø12mm, material PVC
Float:	ø35x40mm, material PP, type S1 = standard
Switching points:	reed contacts, max. 2x n.o. contact/ n.c. contact or 1xchange-over contact
Switching voltage, current, output:	230 VAC, 1A, 60VA
Pressure:	atmospheric
Operating temperature:	-10°C to 60°C in medium; -20°C to 70°C above mounting. Higher temperature on request
Protection rating:	IP 65

Data sheet

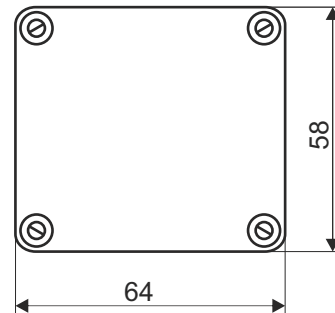
Float switch plastic design 7

Type: SS...7....

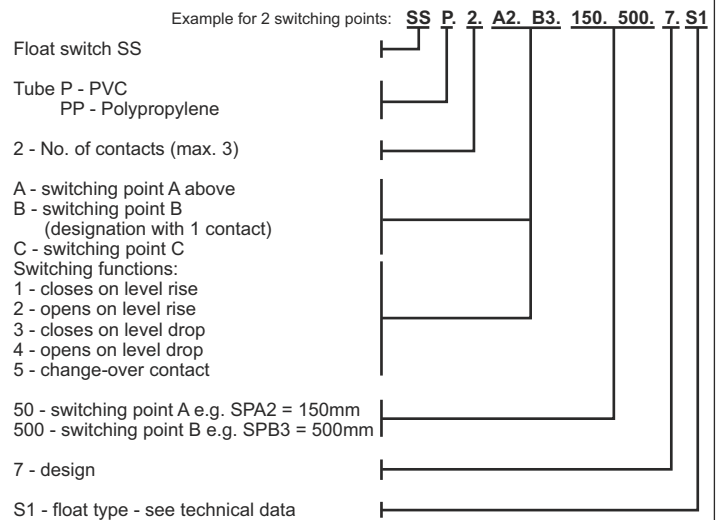
Device with temperature sensor or temperature switch combinable,
see also level / temperature measurement technology combined



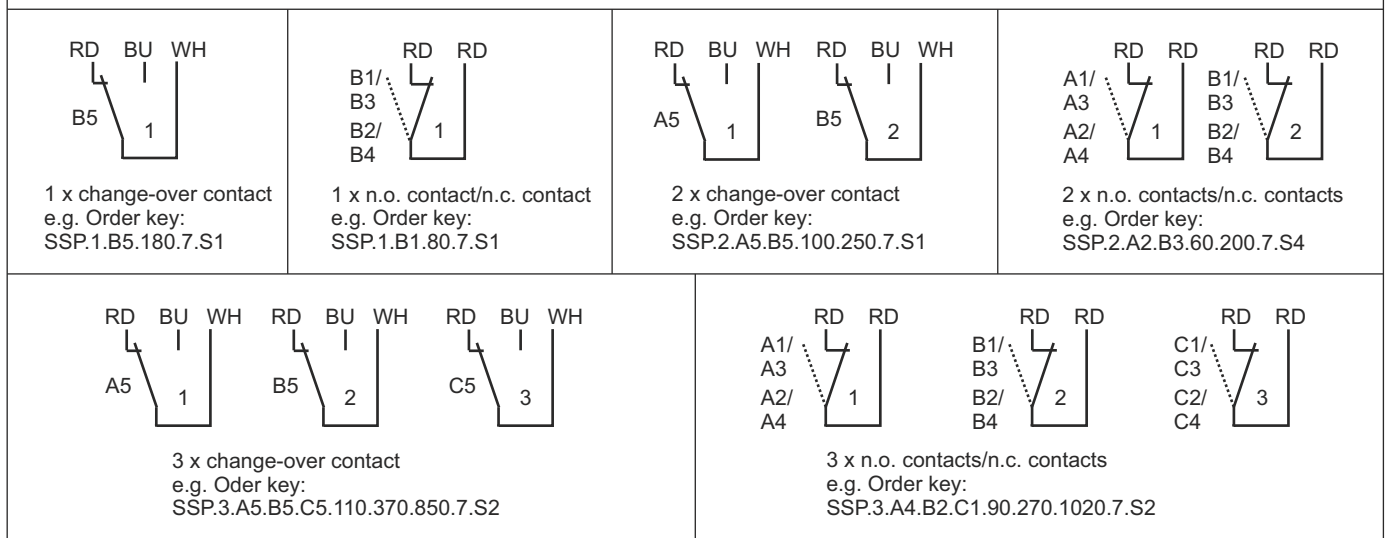
View A



Order key



Examples for terminal diagrams



Data sheet

Float switch plastic design 7

Type: SS...7....

Technical data

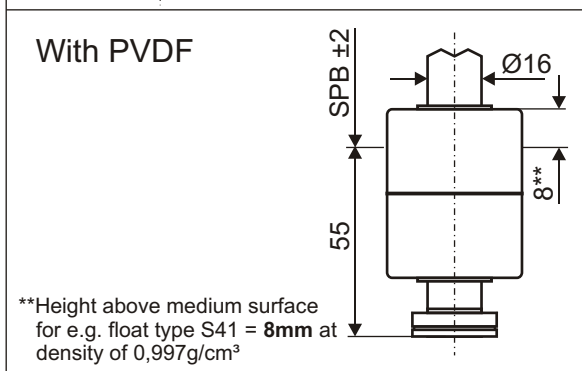
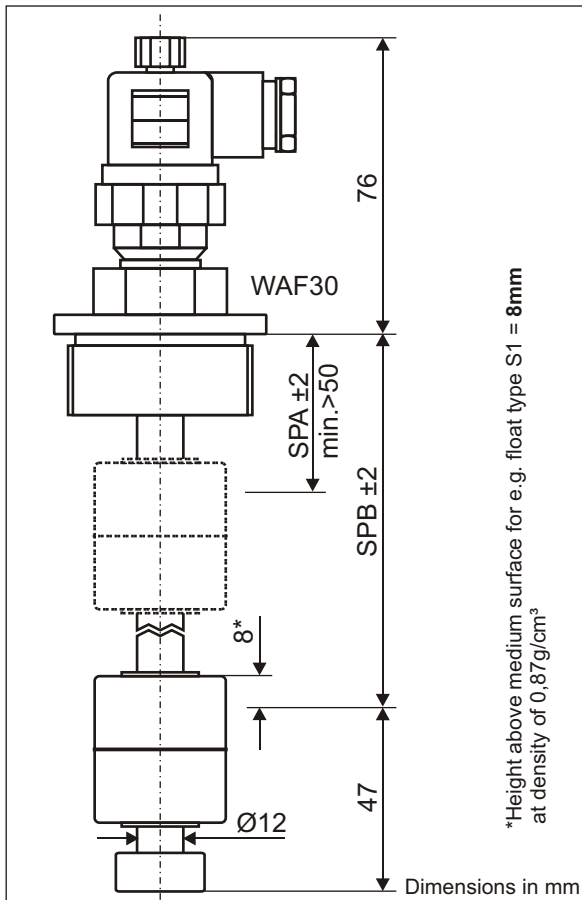
Connection:	terminal connection 1.5mm ² in the housing cable entry at the housing M16x1.5, material makrolon, colour grey
Mounting:	1 1/2" thread, material same as of tube (PP, PVC)
Tube:	Ø12mm, material acc. to customer specification PP or PVC
Float:	Ø35x40mm, material PP, type S1 Ø40x40mm, material PP, type S2 Ø40x30mm, material PP, type S3
Switching points:	reed contacts, max. 3x n.o. contacts/n.c. contacts or change-over contact, further reed contacts on demand
Switching voltage:	max. 230 VAC
Switching current:	1A
Switching capacity:	60VA
Pressure:	max. 1 bar
Operating temperature:	-20°C to 80°C in medium, -20°C to 70°C above mounting (for PP) -20°C to 60°C in medium, -20°C to 60°C above mounting (for PVC)
Protection rating	IP 65

Data sheet

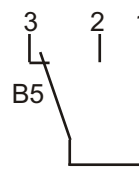
Float switch plastic design 26

Type: SS...26...

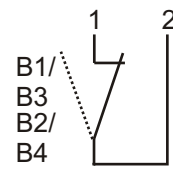
Device with temperature sensor or temperature switch combinable,
see also level / temperature measurement technology combined



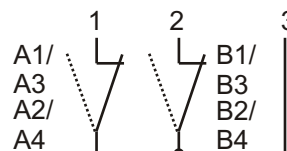
Terminal diagrams



1 x change-over contact;
e.g.: SSPP.1.B5.50.26.S1
230VAC/1A/60 VA



1 x n.o. contact/n.c. contact
e.g.: SSPP.1.B3.50.26.S1
230VAC/1A/60 VA



2 x n.o. contacts/n.c. contacts;
e.g.: SSPP.2.A2.B3.50.500.26.S1
230VAC/1A/60 VA

Order key

Example for 2 switching points: **SS PP. 2. A2. B3. 50. 500. 26. S1**

Float switch SS

Tube PP - polypropylene

PF - polyvinylidene fluoride (PVDF)

2 - No. of contacts (max. 2)

A - switching point A above

B - switching point B
(designation with 1 contact)

Switching functions:

1 - closes on level rise

2 - opens on level rise

3 - closes on level drop

4 - opens on level drop

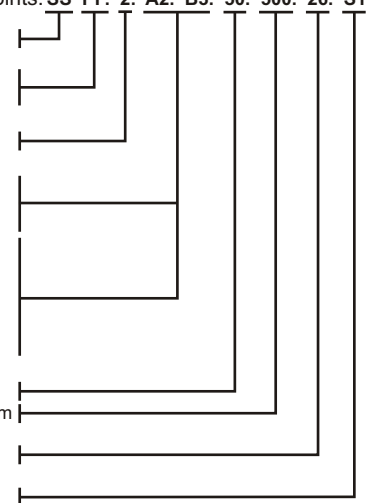
5 - change-over contact

50 - switching point A e.g. SPA2 = 50mm

500 - switching point B e.g. SPB3 = 500mm

26 - design

S1 - float - see technical data



Technical data

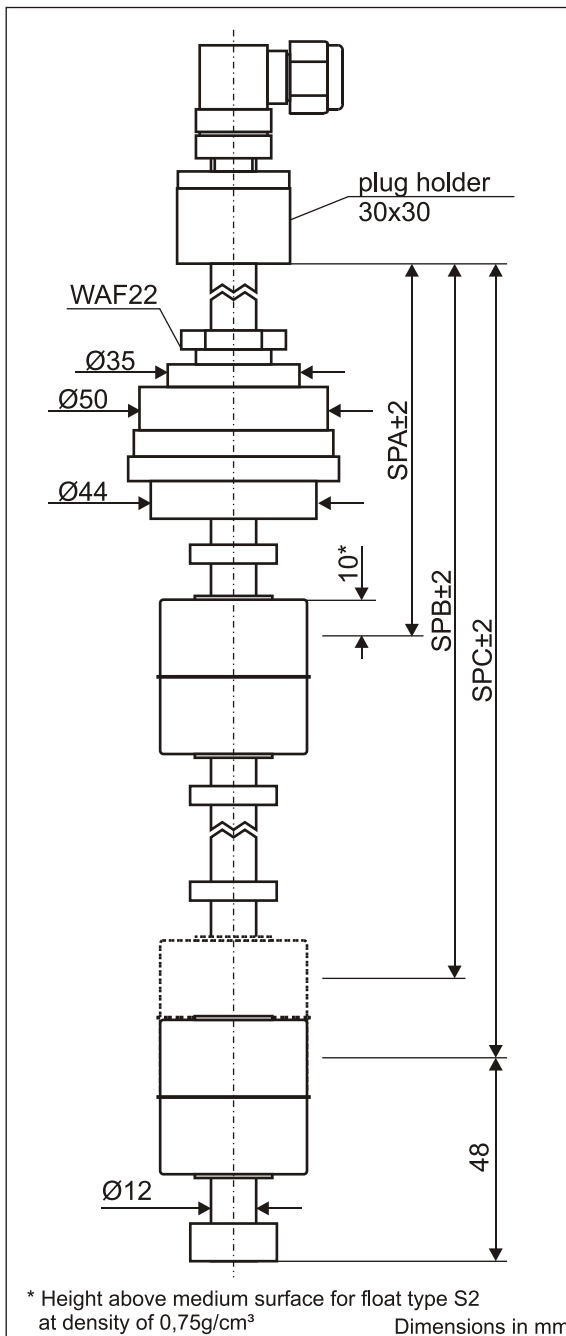
Connection:	right-angled connector 3-pole + PE DIN EN 175301-803 (DIN 43650), material PA
Mounting:	thread 1 1/2", material PP or PVDF
Tube:	Ø12mm material PP or Ø16mm material PVDF
Float:	Ø35x40mm, material PP, type S1 Ø40x40mm, material PP, type S2 Ø40x30mm, material PP, type S9 Ø41x50mm, material PVDF, type S41 only in combination with PVDF
Switching points:	reed contacts: max. 2x n.o. contacts / n.c. contacts or 1x change-over contact
Switching capacity:	max. 230 VAC / 1A / 60VA
Pressure:	max. 1 bar
Operating temperature:	-20°C to 80°C in medium, -20°C to 70°C above mounting (with PP) -20°C to 100°C in medium, -20°C to 70°C above mounting (with PVDF)
Protection rating:	IP 65

Data sheet

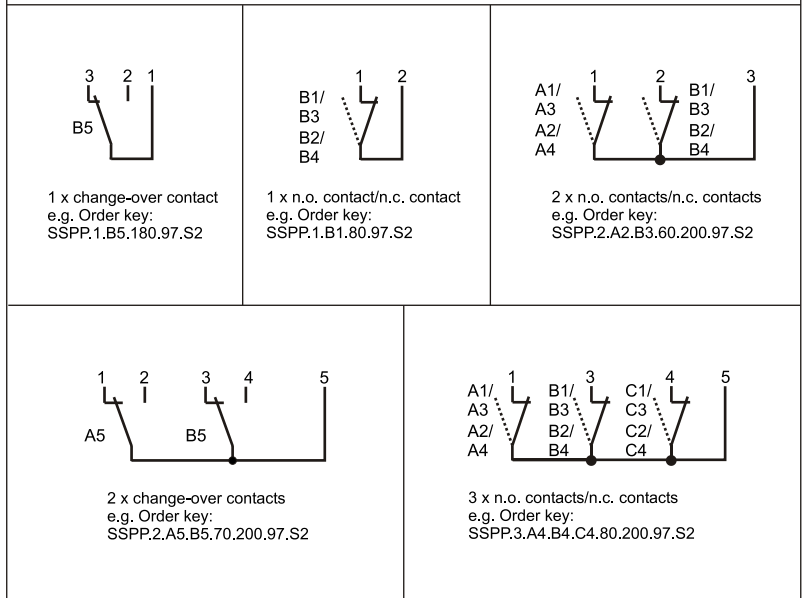
Float switch plastic design 97

Type: SSPP....97.S2

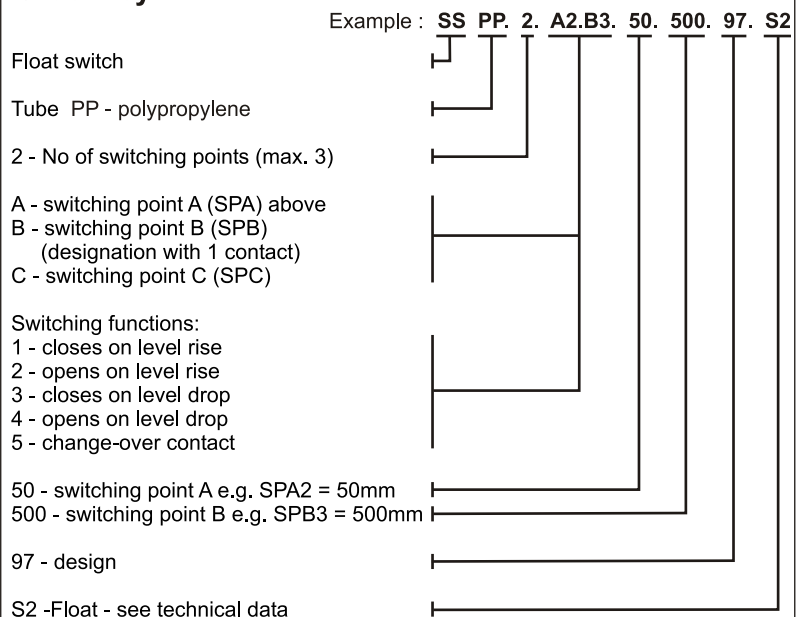
Device with temperature sensor or temperature switch combinable,
see also level / temperature measurement technology combined



Examples for terminal diagrams



Order key



Technical data

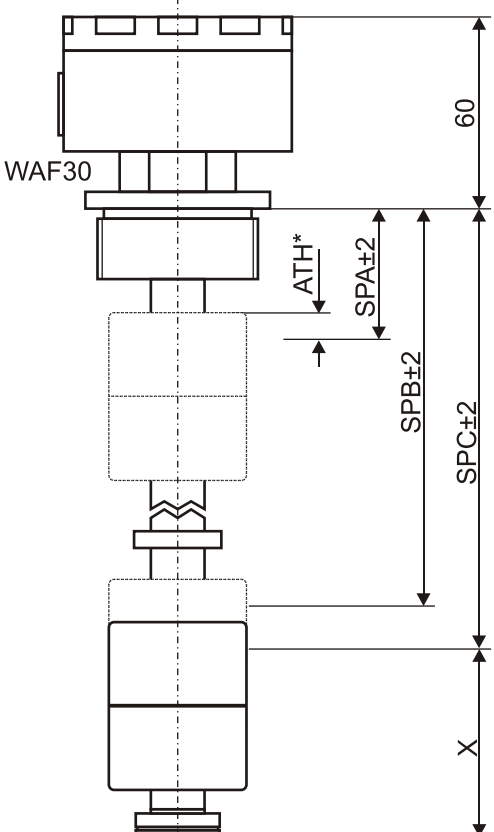
Connection:	plug-type connector M12x1, 5-pole, material PA
Mounting:	mounting insert with depth adjustment, material PP
Tube:	Ø12mm material PP
Float:	Ø40x40mm, material PP, type S2
Switching points:	reed contacts max. 3x n.c. contacts / n.o. contacts or 2x change-over contacts
Switching capacity:	24 VDC / 150mA / 3,6W
Pressure:	max. 2 bar
Operating temperature:	-20°C to 80°C in medium, -20°C to 70°C above mounting
Protection rating:	IP 65

Data sheet

Float switch design 152

Type: SSP...152...

Device is compatible with temperature sensor or temperature switch, see also level / temperature measurement technology combined



* ATH=Height above medium surface e.g. float type S41 =8mm at density of 0,997g/cm³
X= 60 at design PVDF
X= 45 at design PP

Dimension mm

Order key

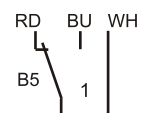
Example for 2 switching points: **SS PP. 2. A2. B3. 50. 500. 152. S45**

Float switch SS
Tube PP - Polypropylen
PVDF - Polyvinylidenflourid

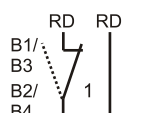
2 - no. of contacts (max. 3)
A - contact A top
B - contact B
C - contact C
(designation with 1 contact)
switching functions:
1 - closes on level rise
2 - opens on level rise
3 - closes on level drop
4 - opens on level drop
5 - change-over contact

50 - switching point A e.g. SPA2 = 50mm
500 - switching point B e.g. SPB3 = 500mm
152 - design
float -S45, S41
- see technical data

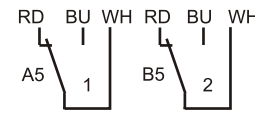
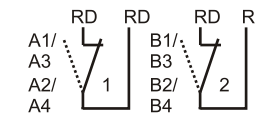
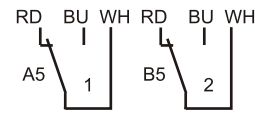
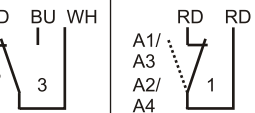
Examples for terminal diagrams



1 x change-over contact
e.g. Order key:
SSPP.1.B5.180.152.S45



1 x n.o. contact/n.c. contact
e.g. Order key:
SSPP.1.B1.80.152.S45

 <p>2 x change-over contacts e.g. Order key: SSPP.2.A5.B5.100.250.152.S45</p>	 <p>2 x n.o. contacts/n.c. contacts e.g. Order key: SSPP.2.A2.B3.60.200.152.S45</p>	 <p>3 x change-over contacts e.g. Order key: SSPP.3.A5.B5.C5.110.370.850.152.S45</p>	 <p>3 x n.o. contacts/n.c. contacts e.g. Order key: SSPP.3.A4.B2.C1.90.270.1020.152.S45</p>
--	--	---	--

Technical data

Connection:	terminal connection in the housing 1.5mm ² , cable entry at the housing M16x1,5, housing material PP, PVDF
Mounting:	thread 1 1/2", material PP, PVDF
Tube:	Ø16mm, material PP, PVDF
Float:	Ø41x50mm, material PP, type S45 Ø41x50mm, material PVDF, type S41
Switching points:	reed contact, max. 3x n.o. contact/n.c. contact or changeover contact, additional reed contacts available on request
Switching- voltage/ current/ output:	230 VAC, 1A, 60VA
Pressure:	max. 5 bar
Operating temperature:	-20°C to 80°C in medium, -20°C to 70°C above mounting (PP) -20°C to 100°C in medium, -20°C to 70°C above mounting (PVDF)
Protection rating:	IP 65