

Hydraulic-Pump

Height adjustment by hydraulic pump - a clever alternative not only for beds

With the new Bansbach hydraulic pump, the height of a great variety of applications can be adjusted **by simply pumping**. The pump can be completely operated **without external energy supply**. The movement is effected by simply pumping. Due to the weight of the application, the reset is always controlled and can be effected by opening the valve with a movement at the lever.

The known characteristics of the Bansbach gas springs apply of course for this Bansbach product, too.

We offer here also a **very flexible product range** which will be adapted to the characteristics of your application and therefore optimally fulfills your requirements.

Please contact us!

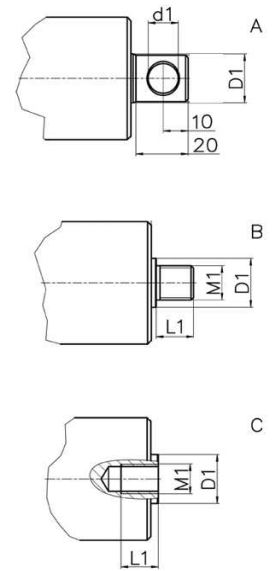
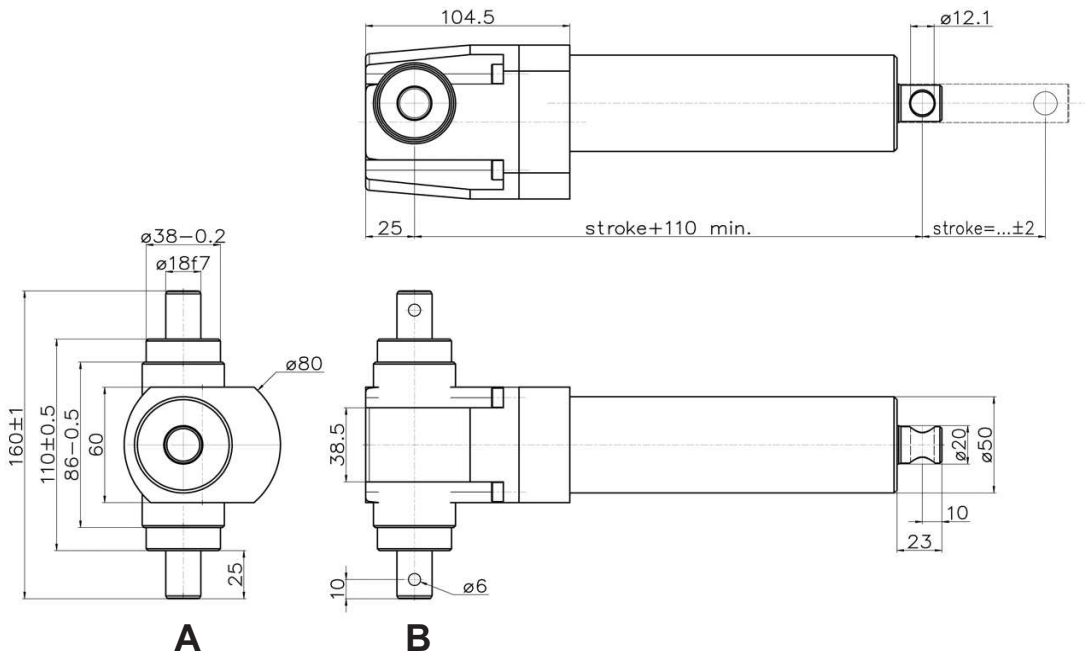
Product characteristics:

- Maintenance-free
- Completely independent of external energy supply
- Extension forces up to 10kN
- Strokes from 80 - 400 mm possible
- Operating temperature: +10°C - +40°C
- Overload protection



Hydraulic-pump	Model	Connecting part housing	Connecting part pedal shaft	Connecting part piston rod	Stroke	Extension length (min)	Color	Specification	Index*
HP	2	-	A	A	250	360	G	-	001
	1	- = none	A = no hole	A	80 - 400	stroke + 110	S = black	- = standard	*only necessary for repeating orders
	2	A	B = hole	B			G = grey	B = special	
	3	B	X = special	C			W = white		
		X = special		X = special			U = uncoated		
							X = special		

* If you choose "Connecting part housing" A or B: Extension length (min) = stroke + 172 mm

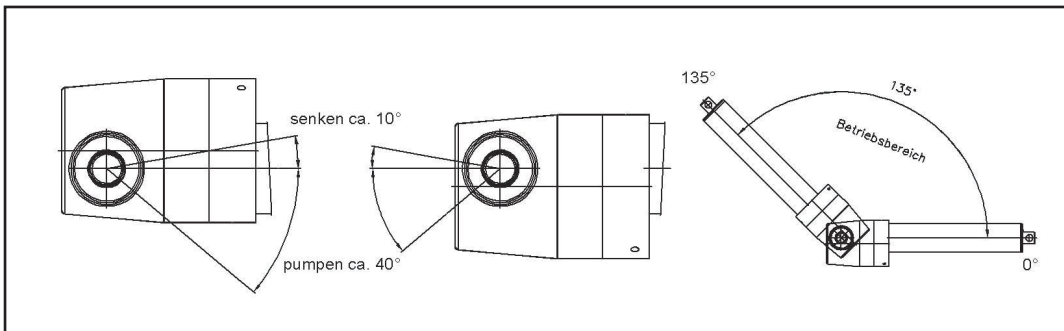


	Ø piston rod [mm]	force [N]	number of strokes [per 100mm]	moment [Nm/max load]	Angle to release [°]
model 1	20	10000	11±1	140	10°
model 2	16	6400	7±1	140	10°
model 3	14	4900	6±1	140	10°

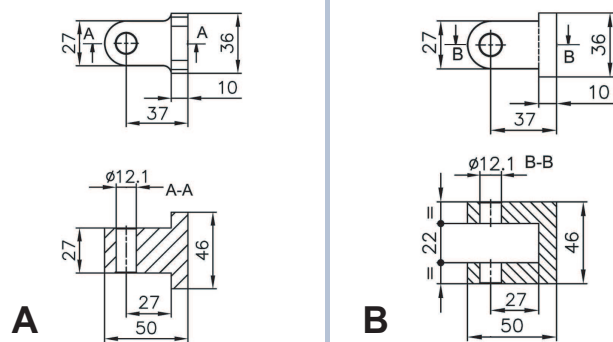
A	ØD1 [mm]	d1 [mm]
model 1	20	12,1
model 2	16	10,1
model 3	14	10,1

B	ØD1 [mm]	M1 [mm]	L1 [mm]
model 1	20	M14x1,5	20
model 2	16	M14x1,5	20
model 3	14	M10	15

C	ØD1 [mm]	M1 [mm]	L1 [mm]
model 1	20	M8	20
model 2	16	M8	20
model 3	14	M8	20

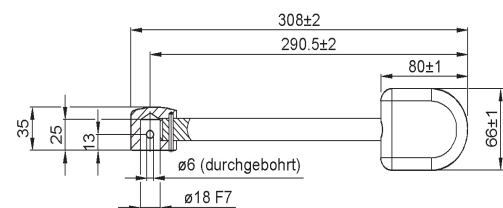


Connecting parts:



Lever:

Art.Nr.:
HP-PH290



The flyer is subject to technical alterations and printing mistakes.

Bansbach easylift GmbH
Barbarossastraße 8
D-73547 Lorch

Tel. +49 (0) 7172/9107-0
Fax +49 (0) 7172/9107-44

info@bansbach.de
www.bansbach.de

Bansbach
easylift