



Reduced wiring manifold (common gland/D-sub connector/flat cable connector)
Sub base porting direct mount type

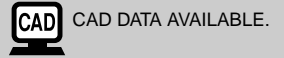
M4GB1/2/3-T* Series

DIN rail mount type

M4GB1/2/3-T*D Series

• Applicable cylinder bore size: 20 to 100 mm

• Please refer to Page 218 about serial transmission.



Manifold common specifications

Descriptions		
Manifold type		Reduced wiring integrated type base
Installation method		Direct mount type/DIN rail mount type
Air supply/exhaust air method		Common supply/exhaust (check valve incorporated)
Pilot exhaust method	Internal pilot	Main/pilot valves common exhaust (pilot exhaust check valve incorporated)
	External pilot	Main valve/pilot valve individual exhaust
Piping direction		Base lateral

Other specifications are as same as M4GB (Page 170).

Electrical specifications

Descriptions		
Rated voltage	DC	12, 24
Rated voltage fluctuation		±10%
Holding current	DC24V	0.025
	A DC12V	0.050
Power consumption	DC24V	0.6
	W DC12V	0.6
Heat proof class		B
Temperature rise °C		50
Surge suppressor		Provided as standard
Indicator		Indicator light

Manifold individual specifications

Descriptions		M4GB1		M4GB2		M4GB3	
		T *		T *		T *	
		Direct mount	DIN rail mount	Direct mount	DIN rail mount	Direct mount	DIN rail mount
Max. station number	Standard (internal pilot)	20 station	16 station	20 station	16 station	16 station	
	External pilot	12 station					
Port size	Port A/B	Push in joint 4, 6 dia. M5		Push in joint 4, 6, 8 dia. Rc1/8		Push in joint 6, 8, 10 dia. Rc1/4	
	Port P/R1/R2	Rc1/8		Rc1/4		Rc3/8	
Manifold base mass formula (n: Station #)g	Standard	43n+335	45n+348	80n+398	82n+431	124n+548	126n+582
	External pilot	44n+330	46n+344	88n+433	90n+467	129n+577	131n+606

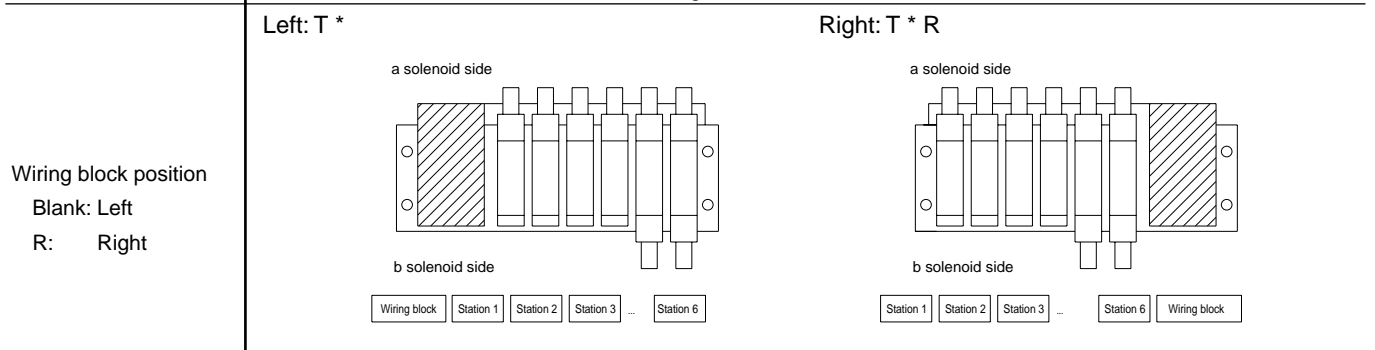
Manifold base mass is the value for DIN rail, screw connection specifications with wiring block.

Max. station number is restricted depending on maximum solenoid number per following wiring specifications.

Wiring specifications

Descriptions	T10 *	T11*	T30*	T50 *	T51*	T52 *	T53 *
	Common gland type	Common gland type	D-sub connector	Flat cable 20 pins type	Flat cable 20 pins type	Flat cable 10 pins type	Flat cable 26 pins type
Connection connector and Gland specifications	M3 thread type 16 terminals	Push in fitting type 26 terminals	MIL standards D-sub connector 25 T	MIL-C-83563 standards Pressure welding socket 20 P	MIL-C-83563 standards Pressure welding socket 20 P	MIL-C-83563 standards Pressure welding socket 10 P	MIL-C-83563 standards Pressure welding socket 26 P
Max. solenoid number	14 points	24 points	24 points	16 points	18 points	10 points	24 points

Page 336 to 342 about details



When (e.g.) T50 *

Array
Blank: Standard sequential
W: Double wiring

Manifold specifications	Standard wire (sequential): Blank	Double wiring: W																																
<p>Station 1 Station 3 Station 2 Station 4</p>	<table border="1"> <tr> <td>Connector pin No.</td> <td>1</td> <td>2</td> <td>3</td> <td>4</td> <td>5</td> <td>6</td> </tr> <tr> <td>Valve solenoid No.</td> <td>1a</td> <td>2a</td> <td>2b</td> <td>3a</td> <td>4a</td> <td>4b</td> </tr> </table>	Connector pin No.	1	2	3	4	5	6	Valve solenoid No.	1a	2a	2b	3a	4a	4b	<table border="1"> <tr> <td>Connector pin No.</td> <td>1</td> <td>2</td> <td>3</td> <td>4</td> <td>5</td> <td>6</td> <td>7</td> <td>8</td> </tr> <tr> <td>Valve solenoid No.</td> <td>1a</td> <td>Void</td> <td>2a</td> <td>2b</td> <td>3a</td> <td>Void</td> <td>4a</td> <td>4b</td> </tr> </table>	Connector pin No.	1	2	3	4	5	6	7	8	Valve solenoid No.	1a	Void	2a	2b	3a	Void	4a	4b
Connector pin No.	1	2	3	4	5	6																												
Valve solenoid No.	1a	2a	2b	3a	4a	4b																												
Connector pin No.	1	2	3	4	5	6	7	8																										
Valve solenoid No.	1a	Void	2a	2b	3a	Void	4a	4b																										

M4GB1/2/3-T* Series

Reduced wiring manifold: Sub base porting

How to order

Manifold model No.

M4GB1 1 0 C6 T30 W H D

Discrete valve for base installation

4GB1 1 9 00 A2N H

A Solenoid position

"A2N" shows A type (radial downward) connector, light/surge suppressor, no lead wire.

Model

B Port size

C Reduced wiring

Zener diode for surge suppressor is used.

D Terminal/connector pin Array

E Option

F Mount type

G station #

H Voltage

• Complete "manifold specification sheet" (Page 230 to 235).

		Model			
		M4GB1	M4GB2	M4GB3	
A Solenoid position					
1	2-position single	●	●	●	
2	2-position double	●	●	●	
3	3-position all ports closed	●	●	●	
4	3-position ABR connection	●	●	●	
5	3-position PAB connection	●	●	●	
8	Mix manifold	●	●	●	
B Port size					
Port	Port A/B	Port P/R1/R2 ②=Rc1/8 ③=Rc1/4 ④=Rc3/8			
C4	4 mm push in joint	②	③		
C6	6 mm push in joint	②	③	④	
C8	8 mm push in joint		③	④	
C10	10 mm push in joint			④	
CL4	4 mm push in joint radial type (upward) Note 1/2	②			
CL6	6 mm push in joint radial type (upward) Note 1/2	②	③		
CL8	8 mm push in joint radial type (upward) Note 1/2		③	④	
CL10	10 mm push in joint radial type (upward) Note 1/2			④	
CX	Push in mix joint	②	③	④	
M5	M5	②			
06	Rc1/8		③		
08	Rc1/4			④	
C Reduced wiring connection (light/surge suppressor provided as standard)					
T10	Common gland (M3 screw)	Left	●	●	●
T10R		Right	●	●	●
T11	Common gland (push in fitting)	Left	●	●	●
T11R		Right	●	●	●
T30	D-sub connector	Left	●	●	●
T30R		Right	●	●	●
T50	20 pin flat cable connector (with power supply terminal)	Left	●	●	●
T50R		Right	●	●	●
T51	20 pin flat cable connector (without power supply terminal)	Left	●	●	●
T51R		Right	●	●	●
T52	10 pin flat cable connector (without power supply terminal)	Left	●	●	●
T52R		Right	●	●	●
T53	26 pin flat cable connector	Left	●	●	●
T53R		Right	●	●	●
D Terminal/connector pin array					
Blank	Standard wire Note 3	●	●	●	
W	Double wiring Note 3	●	●	●	
E Option					
Blank	Blank	●	●	●	
H	Check valve (standard) Note 4	●	●	●	
K	External pilot Note 5	●	●	●	
A	Ozone/coolant proof	●	●	●	
F	Filter incorporated in Port A/B (Port P: Standard)	●	●	●	
F Mount type					
Blank	Direct mount type	●	●	●	
D	DIN rail mount type	●	●	●	
G Station #					
2	2 station				
to	to	●	●	●	
20	Refer to Page 206 about maximum station number.				
H Voltage					
3	DC24V	●	●	●	
4	DC12V	●	●	●	

is not available.

Caution for model selection

Note 1. CL* push in joint radial type (upward) is available only for single solenoid manifold, while Port A: Long elbow, Port B: short elbow.

Note 2. When push in joint radial type (upward), Port A/B sizes are same. When either Port A or B is designated as plugged "X", short elbow is provided to the other side.

Note 3. Blank: Wired according to mounted valve type. W : Not depending on mounted valve type, wire for double solenoid is provided.

Note 4. Check valve specifications (H) are not available for 3-position all ports closed and PAB connection.

Note 5. Consult with CKD about vacuuming of external pilot (K).

4SA/B0

4SA/B1

4GA/B

MN4GA/B

4GA/B (master)

MN3S0/ MN4S0

4TB

4L2-4/ LMFO

4KA/B

4F

PV5/ CMF

3MA/B0

3PA/B

P/M/B

NP/NAP/ NVP

4F**0E

HMV/ HSV

Uniwire system

SKH

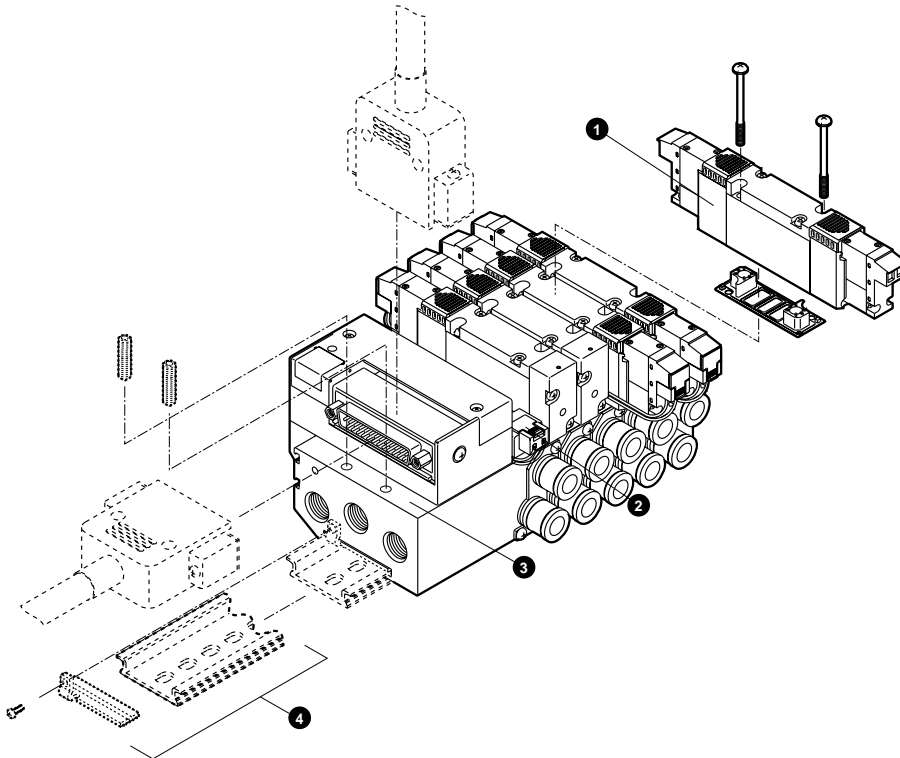
PCD/ FS/FD

3, 5 port pilot operated valve
Reduced wiring type manifold

M4GB1/2/3-T* Series

Reduced wiring manifold: Sub base porting

Explanation of manifold components and parts list




Main construction part list

No.	Construction parts name	Model No.	Description	Remarks
1	Discrete valve for base installation	4GB * * 9-00-A2N [Port size] -[Option]-[Voltage] Solenoid position Flow rate	Discrete valve Gasket Set screw 2 PR check valve 2	Details Page 207
2	Masking plate	4G1	4G1-MP	Masking plate
		4G2	4G2-MP	Gasket
		4G3	4G3-MP	Set screw 2 PR check valves 2
3	Manifold base assembly	M4GB * -[Port size]-[Reduced wiring connection] -[Option]-[Station #] Flow rate	Manifold base Wiring block	
4	DIN rail kit			Details Page 81

Repair parts and related part list

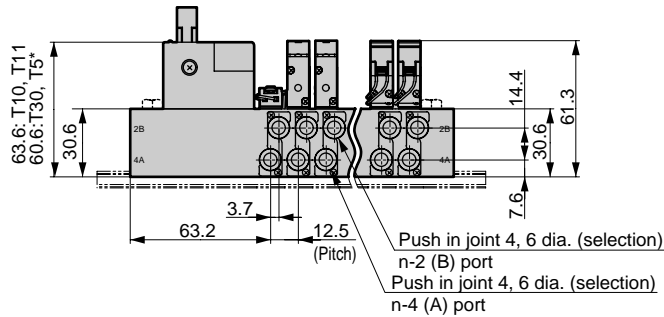
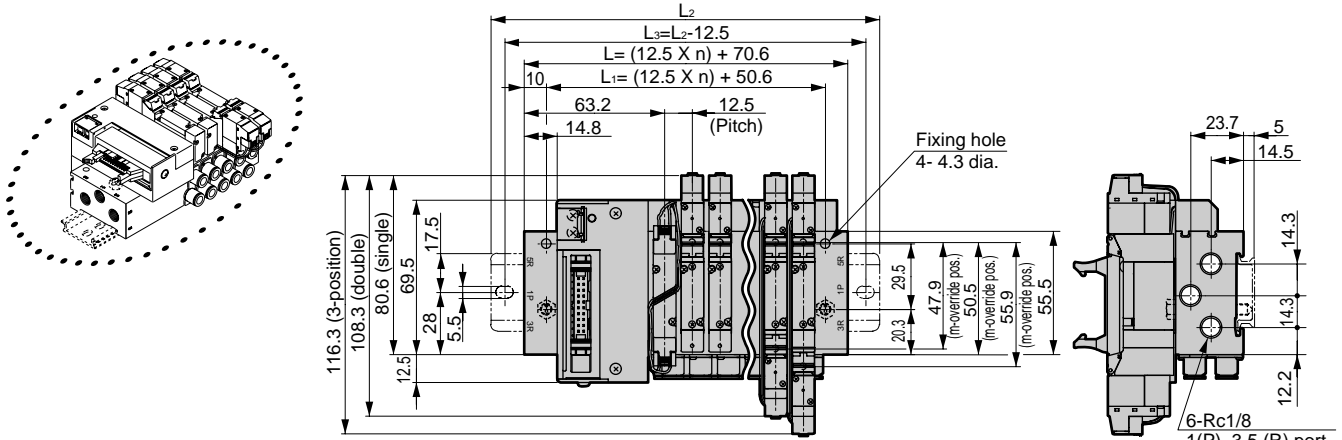
No.	Parts name	Model No.	No.	Parts name	Model No.			
-	Coil assembly	4G-A2N- * - COIL -[Voltage] Blank: Standard A: Ozone proof	-	Cartridge type quick connector and related parts	4 dia. straight type	4G1-JOINT-C4		
					6 dia. straight type	4G1-JOINT-C6		
					4 dia. radial	4G1-JOINT-CL4, CLL4		
					6 dia. radial	4G1-JOINT-CL6, CLL6		
					Plug cartridge	4G1-JOINT-CPG		
-	A-connector Socket assembly Details Page 353	4G * - SOCKET ASSY A **-[Manifold No.] Blank: Left, R: Right A: ASOL side, b: BSOL side N: Position of valve to be wired					4 dia. straight type	4G2-JOINT-C4
							6 dia. straight type	4G2-JOINT-C6
							8 dia. straight type	4G2-JOINT-C8
							6 dia. radial	4G2-JOINT-CL6, CLL6
							8 dia. radial	4G2-JOINT-CL8, CLL8
							Plug cartridge	4G2-JOINT-CPG
-	Silencer	For M5 : SLM-M5 For Rc1/8 : SLW-6A, SLW-6S For Rc1/4 : SLW-8A, SLW-8S For Rc3/8 : SLW-10A, SLW-10L					6 dia. straight type	4G3-JOINT-C6
							8 dia. straight type	4G3-JOINT-C8
							10 dia. straight type	4G3-JOINT-C10
							8 dia. radial	4G3-JOINT-CL8, CLL8
					10 dia. radial	4G3-JOINT-CL10, CLL10		
					Plug cartridge	4G3-JOINT-CPG		

Dimensions

M4GB1  (File name: Page 241 to 242 or Ending 17 to 18)

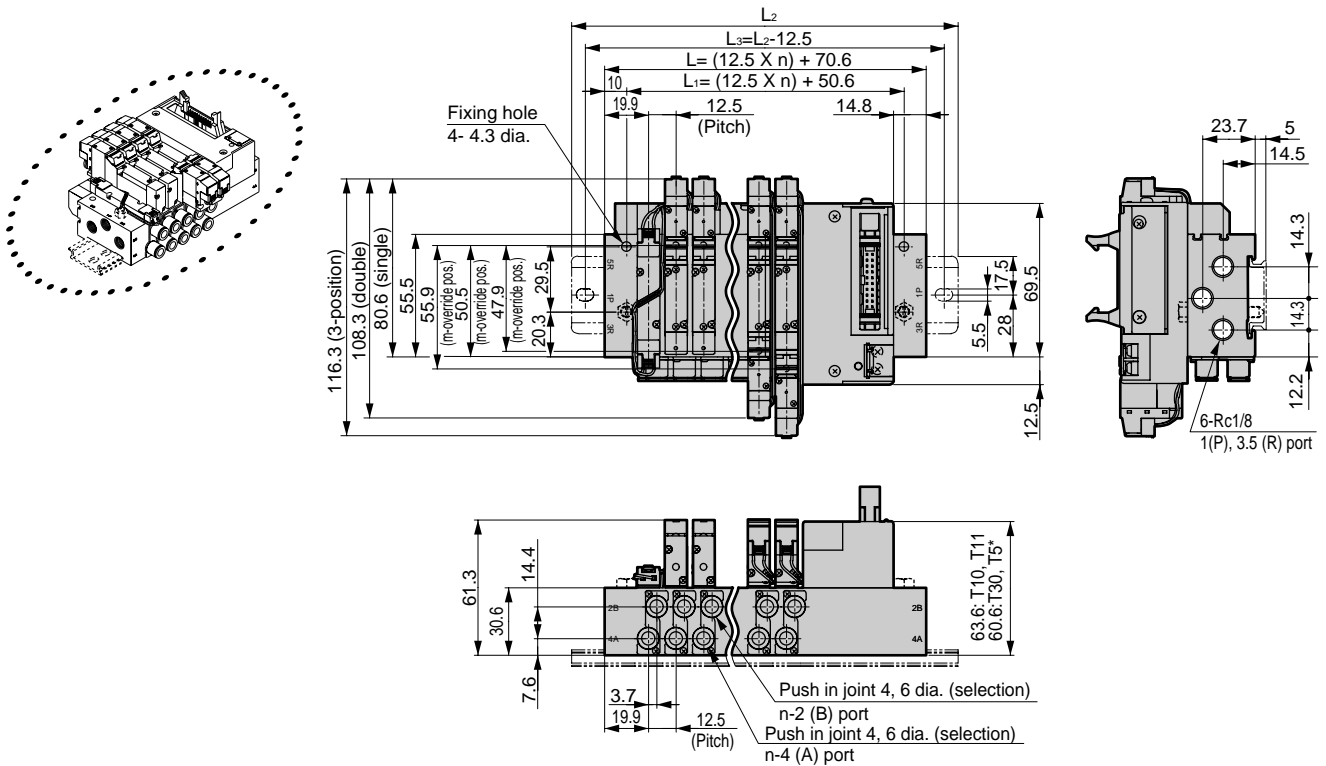
• Reduced wiring left type (T10/T11/T30/T50/T51/T52/T53)

• This figure shows T50. Refer to Page 216 to 217 about detail dimensions.



Note: Please refer to Page 215 about CL* push in joint radial type (upward).

• Reduced wiring left type (T10R/T11R/T30R/T50R/T51R/T52R/T53R)



Station #	2	3	4	5	6	7	8	9	10	11	12	13	14	15	16	17	18	19	20
L	95.6	108.1	120.6	133.1	145.6	158.1	170.6	183.1	195.6	208.1	220.6	233.1	245.6	258.1	270.6	283.1	295.6	308.1	320.6
L ₁	75.6	88.1	100.6	113.1	125.6	138.1	150.6	163.1	175.6	188.1	200.6	213.1	225.6	238.1	250.6	263.1	275.6	288.1	300.6
L ₂	137.5	150.0	162.5	175.0	187.5	200.0	212.5	225.0	237.5	250.0	262.5	275.0	287.5	300.0	312.5				
L ₃	125.0	137.5	150.0	162.5	175.0	187.5	200.0	212.5	225.0	237.5	250.0	262.5	275.0	287.5	300.0				

4SA/B0

4SA/B1

4GA/B

MN4GA/B

4GA/B (master)

MN3S0/
MN4S0

4TB

4L2-4/
LMF0

4KA/B

4F

PV5/
CMF

3MA/B0

3PAB/B

P/M/B

NP/NAP/
NVP

4F**0E

HMV/
HSV

Uniwire
system

SKH


PCD/
FS/FD

3, 5 port pilot operated valve
Reduced wiring type manifold

M4GB1-T* Series

Reduced wiring manifold: Sub base porting

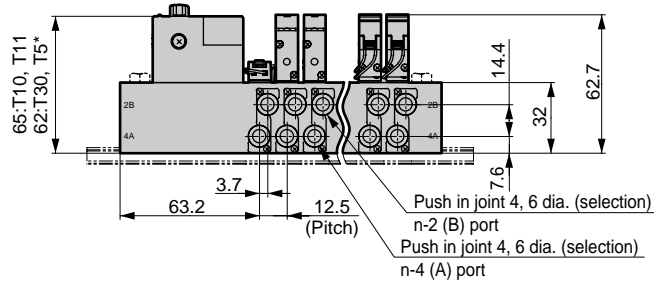
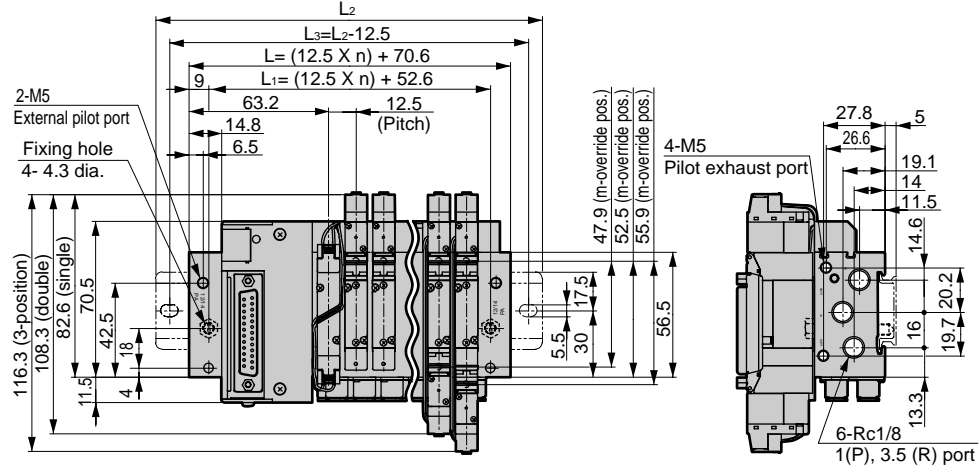
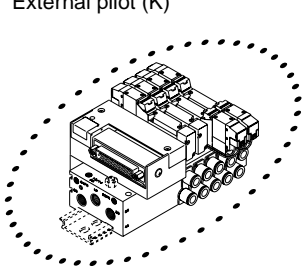
Dimensions

M4GB1  (File name: Page 241 to 242 or Ending 17 to 18)

• Reduced wiring left type (T10/T11/T30/T50/T51/T52/T53)

• This figure shows T30. Refer to Page 216 to 217 about detail dimensions.

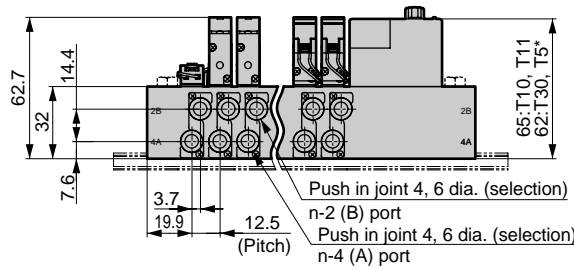
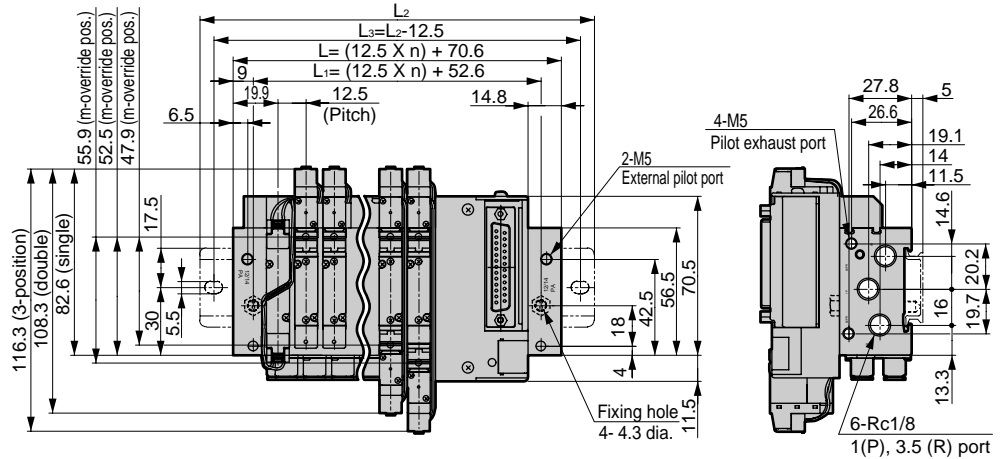
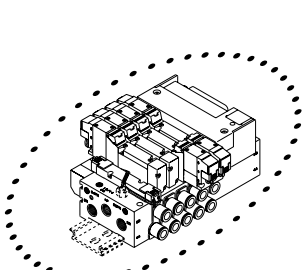
External pilot (K)



Note: Please refer to Page 215 about CL* push in joint radial type (upward).


• Reduced wiring left type (T10R/T11R/T30R/T50R/T51R/T52R/T53R)

External pilot (K)



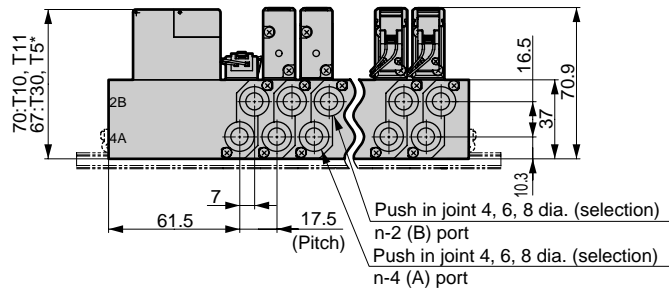
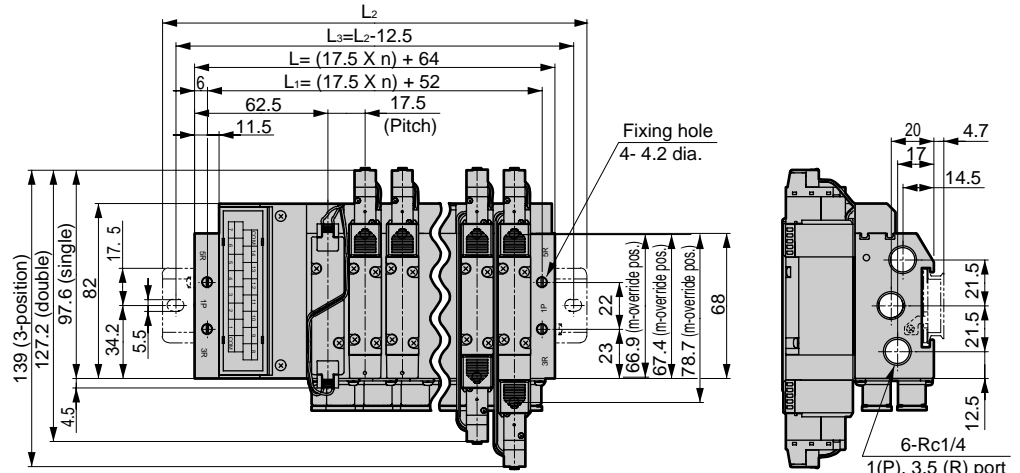
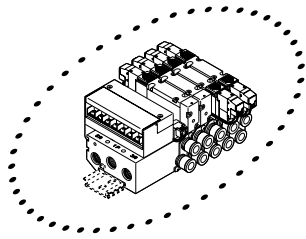
Station #	2	3	4	5	6	7	8	9	10	11	12
L	95.6	108.1	120.6	133.1	145.6	158.1	170.6	183.1	195.6	208.1	220.6
L ₁	77.6	90.1	102.6	115.1	127.6	140.1	152.6	165.1	177.6	190.1	202.6
L ₂	137.5	150.0	162.5	175.0	187.5	200.0	212.5	225.0	237.5	250.0	262.5
L ₃	125.0	137.5	150.0	162.5	175.0	187.5	200.0	212.5	225.0	237.5	250.0

Dimensions

M4GB2  (File name: Page 241 to 242 or Ending 17 to 18)

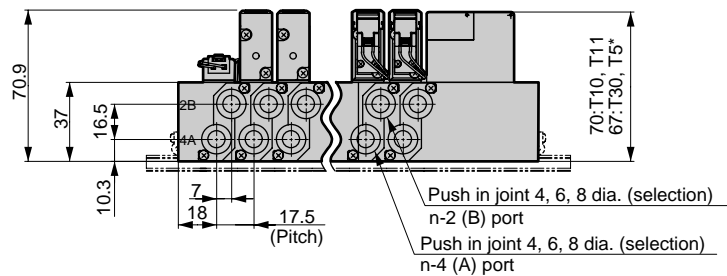
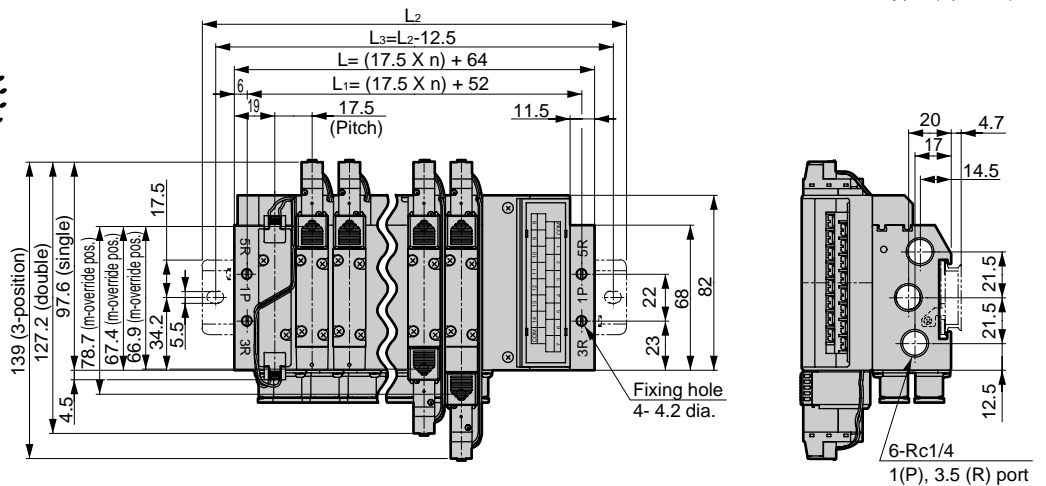
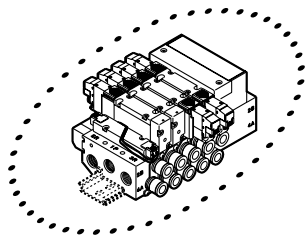
• Reduced wiring left type (T10/T11/T30/T50/T51/T52/T53)

• This figure shows T10. Refer to Page 216 to 217 about detail dimensions.



• Reduced wiring left type (T10R/T11R/T30R/T50R/T51R/T52R/T53R)

Note: Please refer to Page 215 about CL* push in joint radial type (upward).



Station #	2	3	4	5	6	7	8	9	10	11	12	13	14	15	16	17	18	19	20
L	99.0	116.5	134.0	151.5	169.0	186.5	204.0	221.5	239.0	256.5	274.0	291.5	309.0	326.5	344.0	361.5	379.0	396.5	414.0
L ₁	87.0	104.5	122.0	139.5	157.0	174.5	192.0	209.5	227.0	244.5	262.0	279.5	297.0	314.5	332.0	349.5	367.0	384.5	402.0
L ₂	150.0	162.5	175.0	200.0	212.5	237.5	250.0	262.5	287.5	300.0	325.0	337.5	350.0	375.0	387.5				
L ₃	137.5	150.0	162.5	187.5	200.0	225.0	237.0	250.0	275.0	287.5	312.5	325.0	337.5	362.5	375.0				

4SA/B0

4SA/B1

4GA/B

MN4GA/B

4GA/B (master)

MN3S0/ MN4S0

4TB

4L2-4/ LMFO

4KA/B

4F

PV5/ CMF

3MA/B0

3PA/B

P/M/B

NP/NAP/ NVP

4F**0E

HMV/ HSV

Uniwire system

SKH


PCD/ FS/FD

3, 5 port pilot operated valve
Reduced wiring type manifold

M4GB2-T* Series

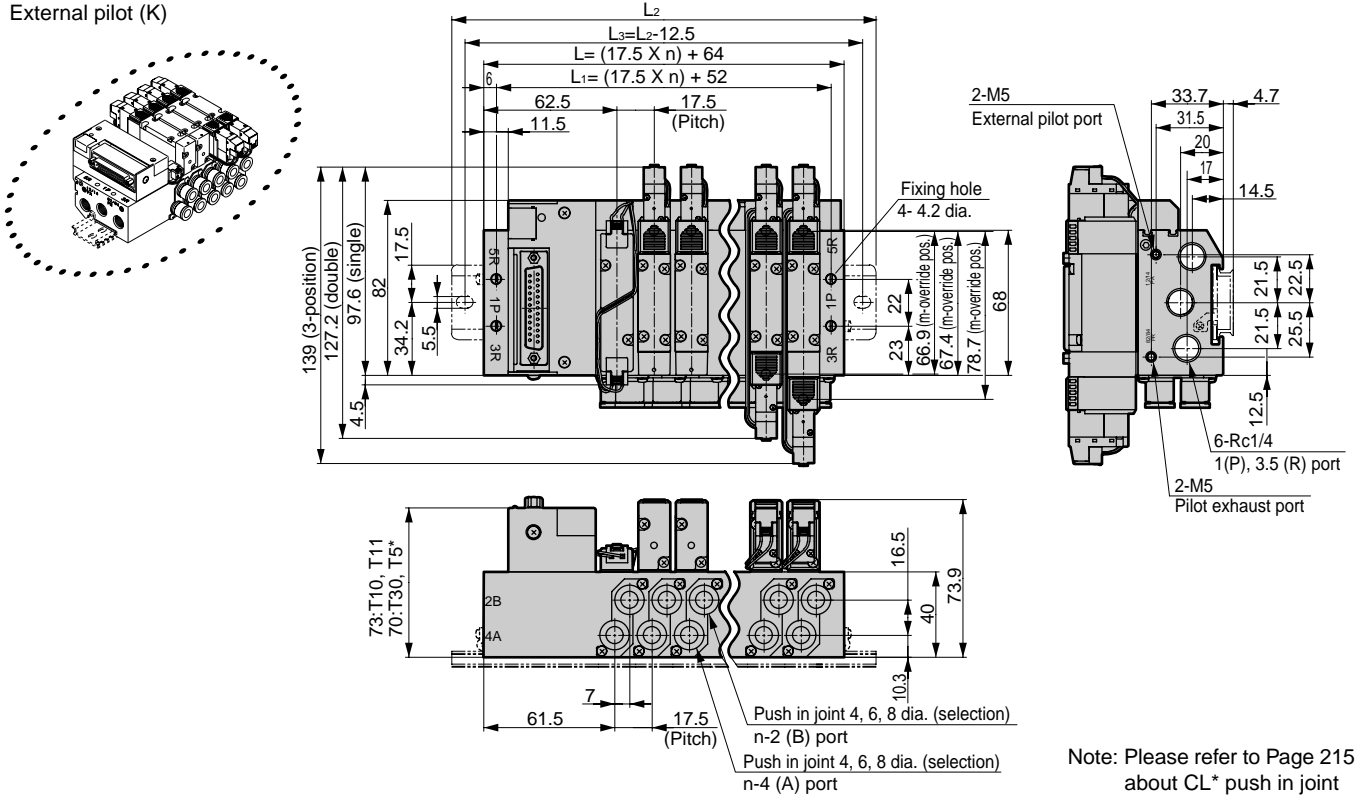
Reduced wiring manifold: Sub base porting

Dimensions

M4GB2  (File name: Page 241 to 242 or Ending 17 to 18)

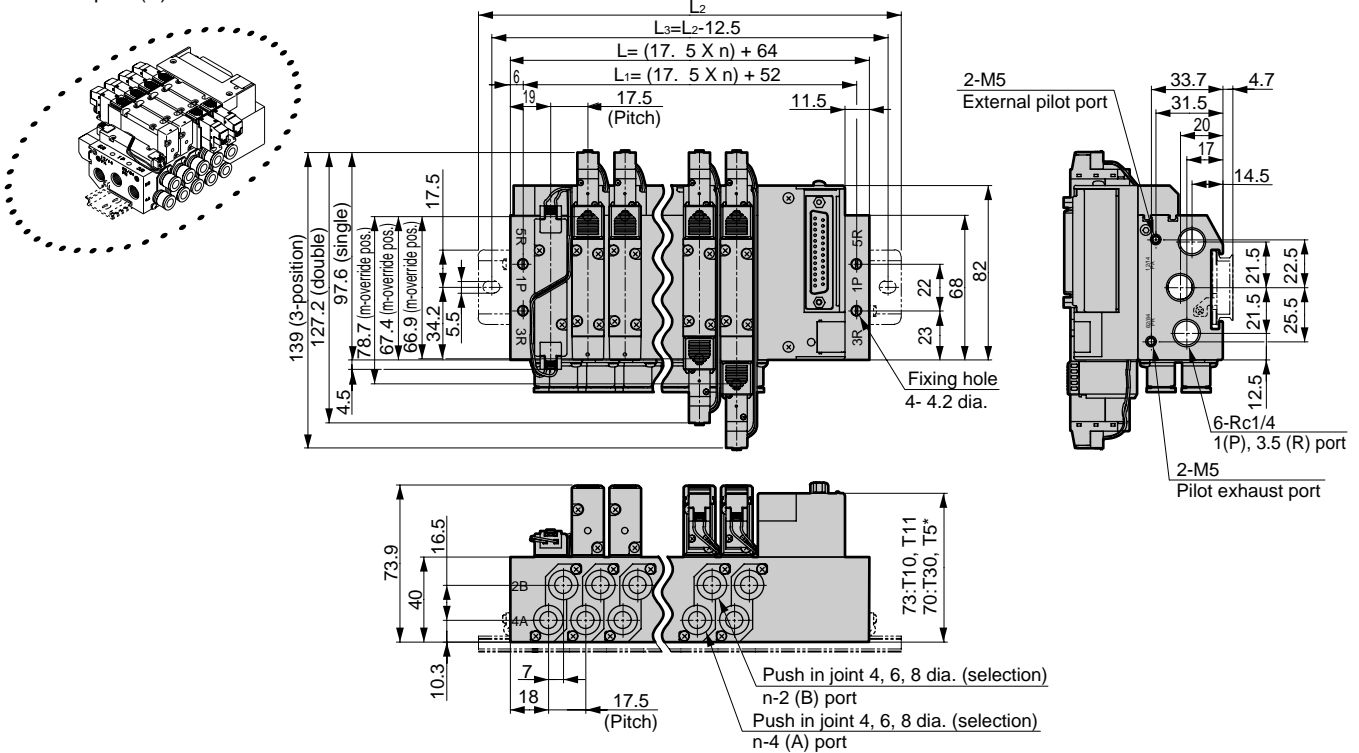
- Reduced wiring left type (T10/T11/T30/T50/T51/T52/T53)
- External pilot (K)

• This figure shows T30. Refer to Page 216 to 217 about detail dimensions.




Note: Please refer to Page 215 about CL* push in joint radial type (upward).

- Reduced wiring left type (T10R/T11R/T30R/T50R/T51R/T52R/T53R)
- External pilot (K)



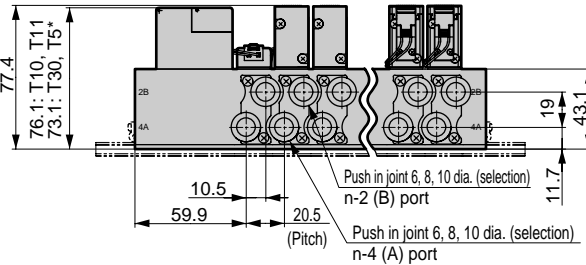
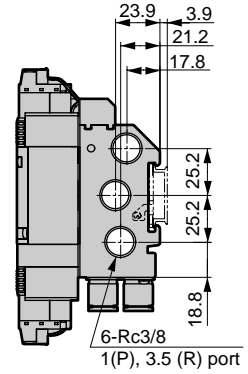
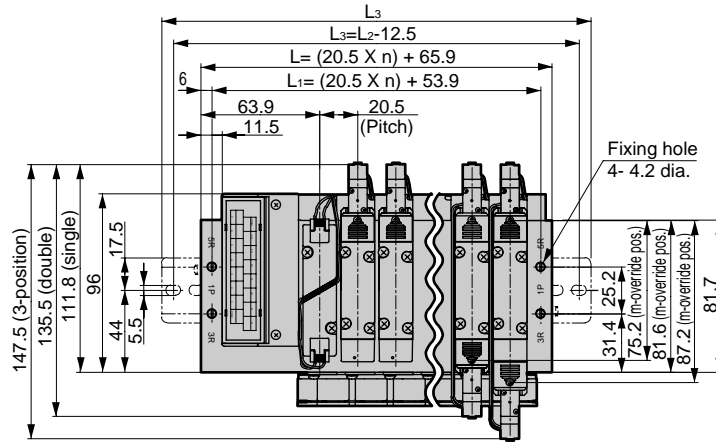
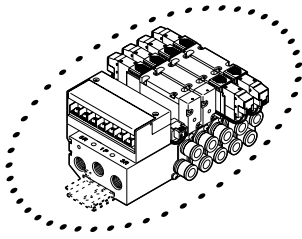
Station #	2	3	4	5	6	7	8	9	10	11	12	13	14	15	16	17	18	19	20
L	99.0	116.5	134.0	151.5	169.0	186.5	204.0	221.5	239.0	256.5	274.0	291.5	309.0	326.5	344.0	361.5	379.0	396.5	414.0
L ₁	87.0	104.5	122.0	139.5	157.0	174.5	192.0	209.5	227.0	244.5	262.0	279.5	297.0	314.5	332.0	349.5	367.0	384.5	402.0
L ₂	150.0	162.5	175.0	200.0	212.5	237.5	250.0	262.5	287.5	300.0	325.0	337.5	350.0	375.0	387.5				
L ₃	137.5	150.0	162.5	187.5	200.0	225.0	237.5	250.0	275.0	287.5	312.5	325.0	337.5	362.5	375.0				

Dimensions

M4GB3  (File name: Page 241 to 242 or Ending 17 to 18)

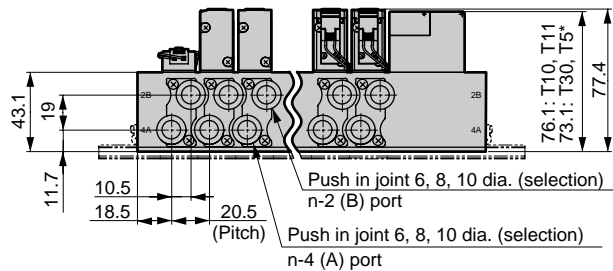
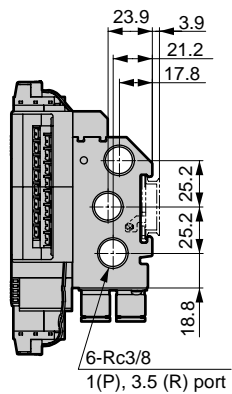
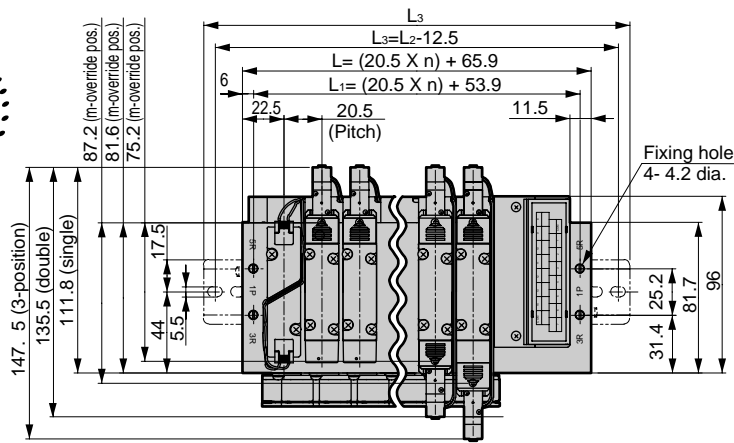
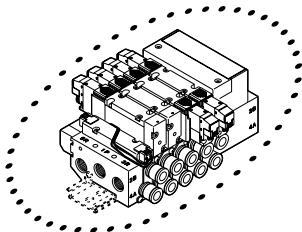
• Reduced wiring left type (T10/T11/T30/T50/T51/T52/T53)

• This figure shows T10. Refer to Page 216 to 217 about detail dimensions.



Note: Please refer to Page 215 about CL* push in joint radial type (upward).

• Reduced wiring left type (T10R/T11R/T30R/T50R/T51R/T52R/T53R)



4SA/B0

4SA/B1

4GA/B

MN4GA/B

4GA/B (master)

MN3S0/ MN4S0

4TB

4L2-4/ LMF0

4KA/B

4F

PV5/ CMF

3MA/B0

3PAB/B

P/M/B

NP/NAP/ NVP

4F**0E

HMV/ HSV

Uniwire system

SKH

PCD/ FS/FD


3, 5 port pilot operated valve
Reduced wiring type manifold

Station #	2	3	4	5	6	7	8	9	10	11	12	13	14	15	16
L	106.9	127.4	147.9	168.4	188.9	209.4	229.9	250.4	270.9	291.4	311.9	332.4	352.9	373.4	393.9
L ₁	94.9	115.4	135.9	156.4	176.9	197.4	217.9	238.4	258.9	279.4	299.9	320.4	340.9	361.4	381.9
L ₂	150.0	175.0	187.5	212.5	237.5	250.0	275.0	300.0	312.5	337.5	362.5	375.0	400.0	412.5	437.5
L ₃	137.5	162.5	175.0	200.0	225.0	237.5	262.5	287.5	300.0	325.0	350.0	362.5	387.5	400.0	425.0

M4GB3-T* Series

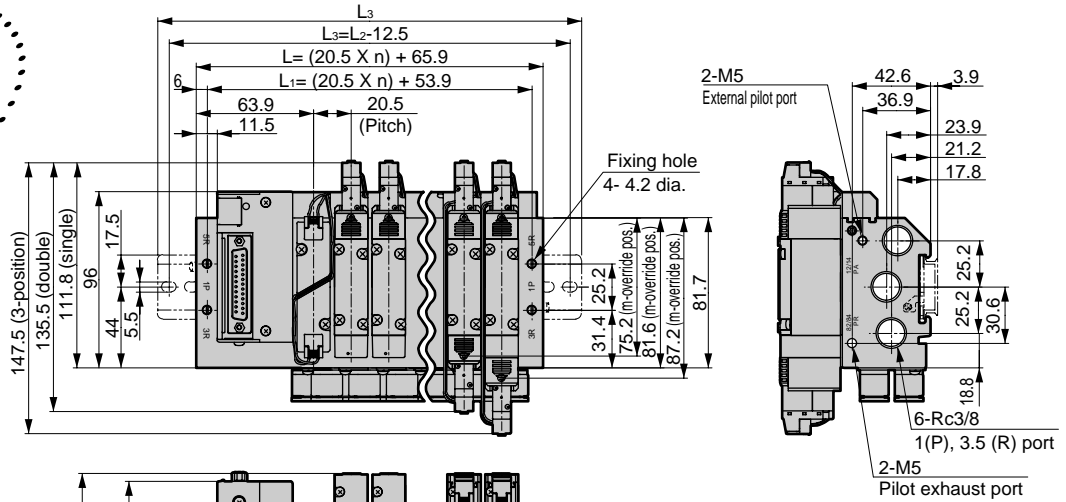
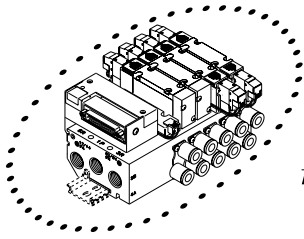
Reduced wiring manifold: Sub base porting

Dimensions

M4GB3  (File name: Page 241 to 242 or Ending 17 to 18)

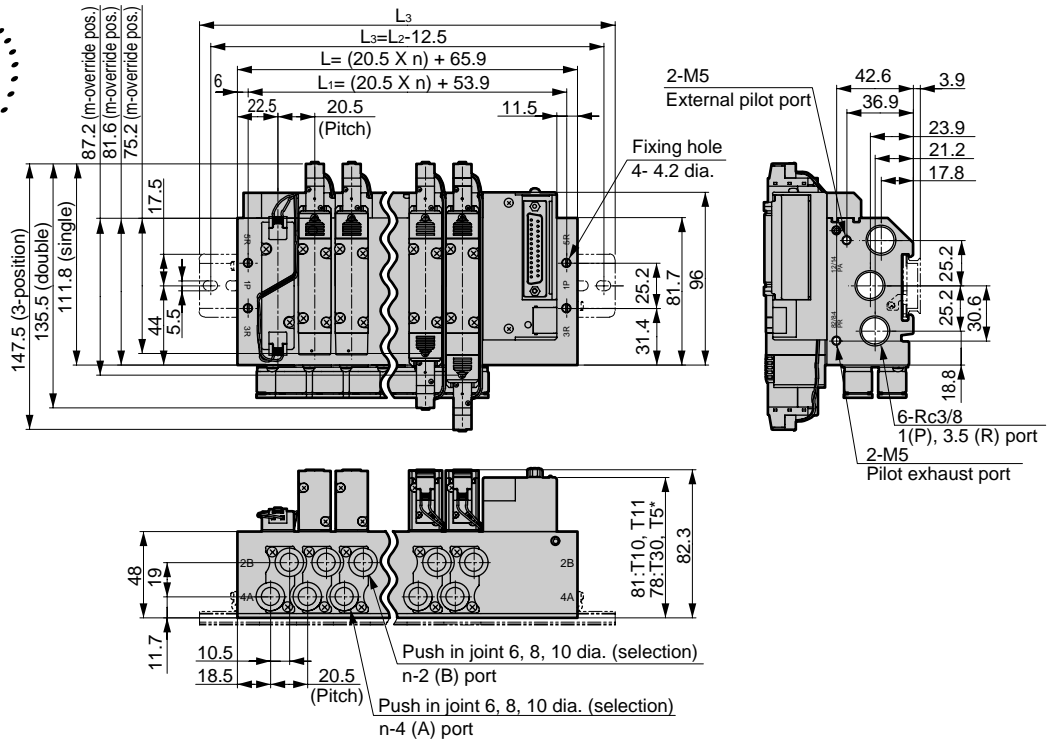
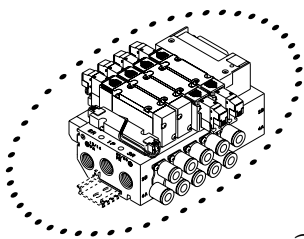
- Reduced wiring left type (T10/T11/T30/T50/T51/T52/T53)
External pilot (K)

• This figure shows T30. Refer to Page 216 to 217 about detail dimensions.



Note: Please refer to Page 215 about CL* push in joint radial type (upward).

- Reduced wiring left type (T10R/T11R/T30R/T50R/T51R/T52R/T53R)
External pilot (K)



Station #	2	3	4	5	6	7	8	9	10	11	12	13	14	15	16
L	106.9	127.4	147.9	168.4	188.9	209.4	229.9	250.4	270.9	291.4	311.9	332.4	352.9	373.4	393.9
L ₁	94.9	115.4	135.9	156.4	176.9	197.4	217.9	238.4	258.9	279.4	299.9	320.4	340.9	361.4	381.9
L ₂	150.0	175.0	200.0	212.5	237.5	250.0	275.0	300.0	312.5	337.5	362.5	375.0	400.0	425.0	437.5
L ₃	137.5	162.5	187.5	200.0	225.0	237.5	262.5	287.5	300.0	325.0	350.0	362.5	387.5	412.5	425.0

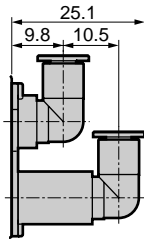
M4GB1/2/3-T* Series

Reduced wiring manifold: Sub base porting

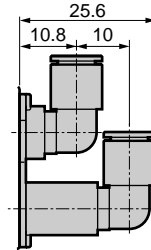
Dimensions (push in joint radial type (upward))

M4GB1

• 4 dia. (CL4)

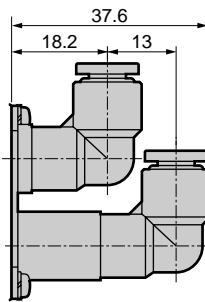


• 6 dia. (CL6)

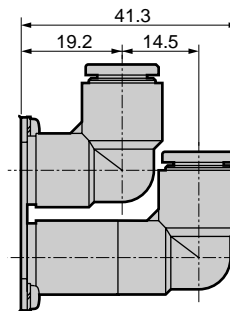


M4GB2

• 6 dia. (CL6)

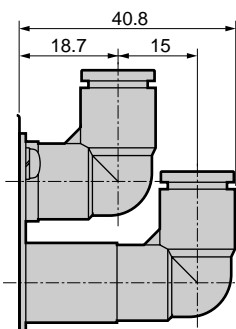


• 8 dia. (CL8)

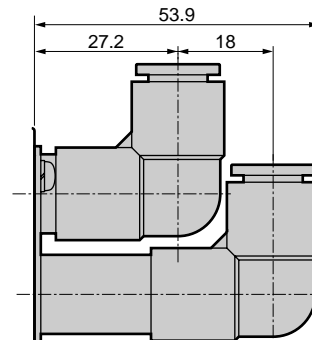


M4GB3

• 8 dia. (CL8)



• 10 dia. (CL10)



4SA/B0

4SA/B1

4GA/B

MN4GA/B

4GA/B
(master)

MN3S0/
MN4S0

4TB

4L2-4/
LMF0

4KA/B

4F

PV5/
CMF

3MA/B0

3PA/B

P/M/B

NP/NAP/
NVP

4F**0E

HMV/
HSV

Uniwire
system

SKH

PCD/
FS/FD

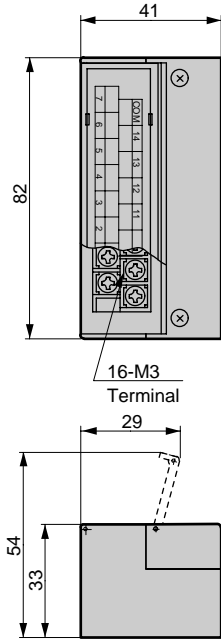
3, 5 port pilot operated valve
Reduced wiring type manifold

M4GB1/2/3-T* Series

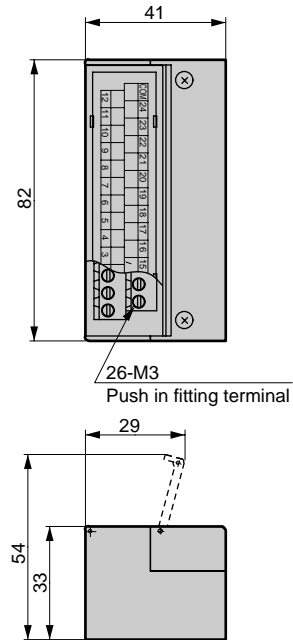
Reduced wiring manifold: Sub base porting

Reduced wiring: Dimensions

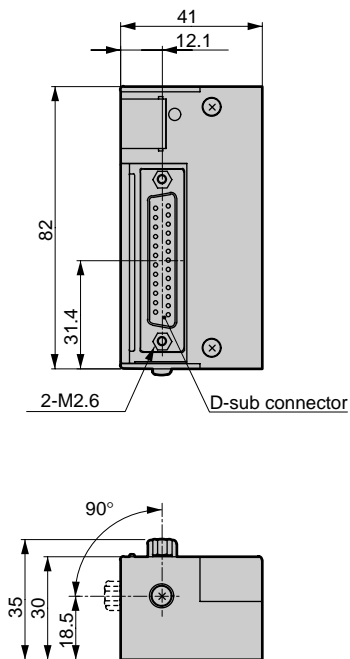
- Common gland (M3 screw)
T10



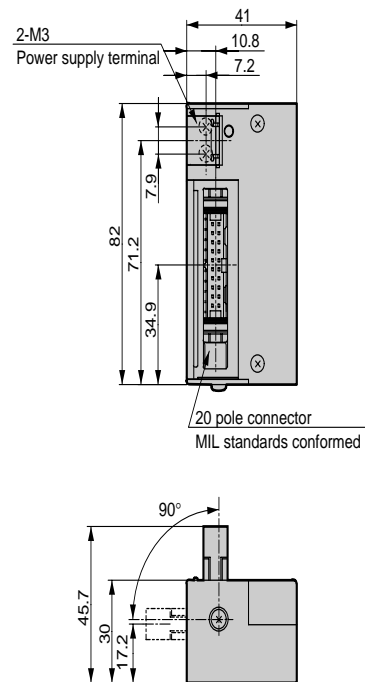
- Common gland (push in fitting)
T11



- D-sub connector
T30

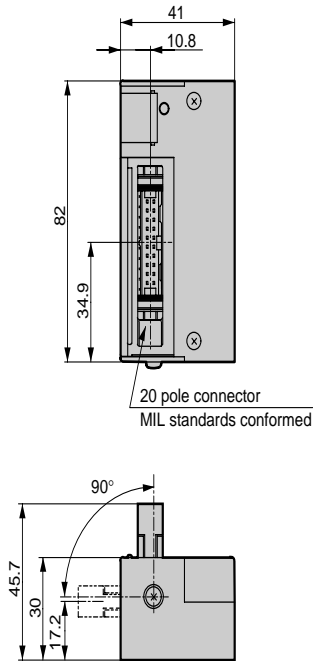


- 20-pin flat cable connector (power supply terminal)
T50

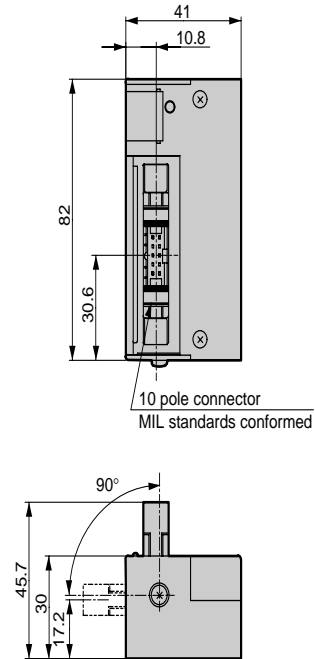


Reduced wiring: Dimensions

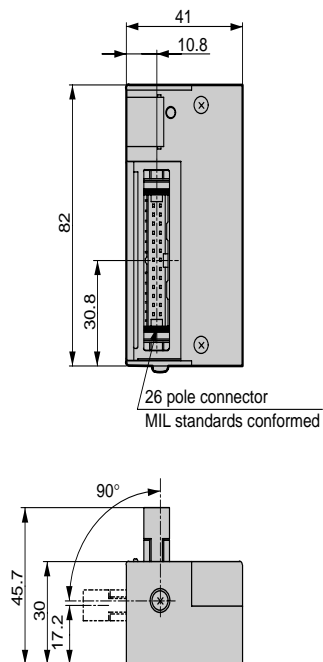
- 20-pin flat cable connector (no power supply terminal)
T51



- 10-pin flat cable connector (no power supply terminal)
T52



- 26-pin flat cable connector (no power supply terminal)
T53



4SA/B0

4SA/B1

4GA/B

MN4GA/B

4GA/B
(master)

MN3S0/
MN4S0

4TB

4L2-4/
LMF0

4KA/B

4F

PV5/
CMF

3MA/B0

3PA/B

P/M/B

NP/NAP/
NVP

4F**0E

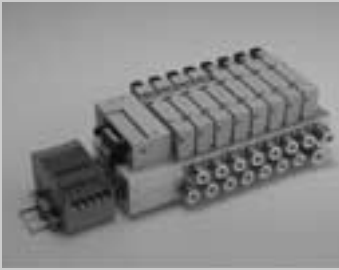
HMV/
HSV

Uniwire
system

SKH

PCD/
FS/FD

3, 5 port pilot operated valve
Reduced wiring type manifold



Reduced wiring manifold (serial transmission)
Sub base porting
DIN rail mount type

M4GB1/2/3-T6D Series

• Applicable cylinder bore size: 20 to 100mm



CAD DATA AVAILABLE.

Manifold common specifications

Descriptions		
Manifold type		Serial transmission integrated type base
Installation method		DIN rail mount
Air supply/exhaust air method		Common supply/exhaust (check valve incorporated)
Pilot exhaust method	Internal pilot	Main/pilot valves common exhaust (pilot exhaust check valve incorporated)
	External pilot	Main valve/pilot valve individual exhaust
Piping direction		Base lateral

Other specifications are as same as M4GB (Page 170).

Please refer to Page 90 about JIS symbol.

Electrical specifications

Descriptions		
Rated voltage	V DC	24
Rated voltage fluctuation		±10%
Holding current	A	0.025
Power consumption	W	0.6
Heat proof class		B
Temperature rise	°C	50
Surge suppressor		Standard
Indicator		Indicator light

Individual specifications

Descriptions		M4GB1	M4GB2	M4GB3
Max. station number	Standard	16 station	16 station	16 station
	External pilot	12 station		
Max. solenoid number		Depending on slave unit specifications, output No.		
Port size	Port A/B	Push in joint 4, 6 dia. M5	Push in joint 4, 6, 8 dia. Rc1/8	Push in joint 6, 8, 10 dia. Rc1/4
	Port P/R1/R2	Rc1/8	Rc1/4	Rc3/8
Manifold base mass formula (N: Station #) g	Standard	45n + 495	82n + 578	126n + 729
	External pilot	46n + 491	90n + 615	131n + 753

Manifold base mass is the value for DIN rail, wiring block, screw connection specifications with slave unit.

Serial transmission slave unit specifications (please refer to Page 350 about compatible PLC table.)

Descriptions		T621	T631	T6G1	T6K1	T6C0 ^{*1} T6C1	T6A0 ^{*2} T6A1	T6E0 T6E1	T6J0 ^{*2} T6J1
Communication device maker		OMRON SYSBUS/multi link	mitsubishi MELSEC NET/MINI-S3	MITSUBISHI CC-Link	KEYENCE KZ-R	OMRON CompoBus/S	UNIWIRESYSTEM	SUNX S-LINK	Uniwire Hsystem
Power voltage	Unit side	DC 24V±10%					DC 24V + 10% -5%		
	Valve side	DC 24V + 10% -5%					(Unit power supply/valve power supply common terminal)		
Consumption current	Unit side	100mA or less (output all points when ON)					100mA or less (output all points when ON)		
	Valve side	15mA or less (output all points when OFF)					Load current is not included.		
Output No.		16 points				T6 * 0: 8 points T6 * 1: 16 points			
Operating indication		LED (power supply and communication status)							

- 1. Not compatible with long distance communication mode. Consult with CKD about compatibility.
- 2. Transmission point: 128 points, transmission distance: 200m. Consult with CKD about other specifications.

M4GB1/2/3-T6D Series

Reduced wiring manifold: Sub base porting: Serial transmission

How to order

Manifold model No.

M4GB1 1 0 C6 T621 W H D

Discrete valve for base installation

4GB1 1 9 00 A2N H

A Solenoid position

"A2N" shows A type (radial downward) connector, light/surge suppressor, no lead wire.

Model

B Port size

C Serial transmission
Zener diode for surge suppressor is used.

D Terminal/connector pin Array

E Option

F Station #

G Voltage

• Complete "manifold specification sheet" (Page 236 to 238).

		Model		
		M4GB1	M4GB2	M4GB3
Symbol	Descriptions			
A Solenoid position				
1	2-position single	●	●	●
2	2-position double	●	●	●
3	3-position all ports closed	●	●	●
4	3-position ABR connection	●	●	●
5	3-position PAB connection	●	●	●
8	Mix manifold	●	●	●
B Port size				
Port	Port A/B	Port P/R1/R2 ②=Rc1/8 ③=Rc1/4 ④=Rc3/8		
C4	4 mm push in joint	②	③	
C6	6 mm push in joint	②	③	④
C8	8 mm push in joint		③	④
C10	10 mm push in joint			④
CL4	4 mm push in joint radial type (upward) Note 1/2	②		
CL6	6 mm push in joint radial type (upward) Note 1/2	②	③	
CL8	8 mm push in joint radial type (upward) Note 1/2		③	④
CL10	10 mm push in joint radial type (upward) Note 1/2			④
CX	Push in mix joint	②	③	④
M5	M5	②		
06	Rc1/8		③	
08	Rc1/4			④
C Serial transmission (light/surge suppressor provided as standard)				
T621	OMRON SYSBUS/multi link	●	●	●
T631	MITSUBISHI MELSEC NEC/MINI-S3	●	●	●
T6A0	UNIWIRESYSTEM 8 points	●	●	●
T6A1	UNIWIRESYSTEM 16 points	●	●	●
T6C0	OMRON CompoBus/S8 points	●	●	●
T6C1	OMRON CompoBus/S16 points	●	●	●
T6E0	SUNX S-LINK 8 points	●	●	●
T6E1	SUNX S-LINK 16 points	●	●	●
T6G1	MITSUBISHI CC-Link	●	●	●
T6J0	Uniwire Hsystem 8 points	●	●	●
T6J1	Uniwire Hsystem 16 points	●	●	●
T6K1	Keyence KZ-R	●	●	●
D Terminal/connector pin array				
Blank	Standard wiring	Note 3	●	●
W	Double wiring	Note 3	●	●
E Option				
Blank	Blank		●	●
H	Check valve (standard)	Note 4	●	●
K	External pilot	Note 5	●	●
A	Ozone/coolant proof		●	●
F	Filter incorporated in Port A/B (Port P: Provided as standard)		●	●
F Station #				
2	2 station			
to	to		●	●
16	Refer to Page 218 about maximum station number.			
G Voltage				
3	DC24V		●	●

Caution for model selection

Note 1. CL* push in joint radial type (upward) is available only for single solenoid manifold, while Port A: Long elbow, Port B: short elbow.

Note 2. When push in joint radial type (upward), Port A/B sizes are same. When either Port A or B is designated as plugged "X", short elbow is provided to the other side.

Note 3. Blank : Wired according to mounted valve type.
W : Not depending on mounted valve type, wire for double solenoid is provided.

Note 4. Check valve specifications (H) are not available for 3-position all ports closed and PAB connection.

Note 5. Consult with CKD about vacuuming of external pilot (K).

4SA/B0

4SA/B1

4GA/B

MN4GA/B

4GA/B (master)

MN3S0/ MN4S0

4TB

4L2-4/ LMFO

4KA/B

4F

PV5/ CMF

3MA/B0

3PA/B

P/M/B

NP/NAP/ NVP

4F**0E

HMV/ HSV

Uniwire system

SKH

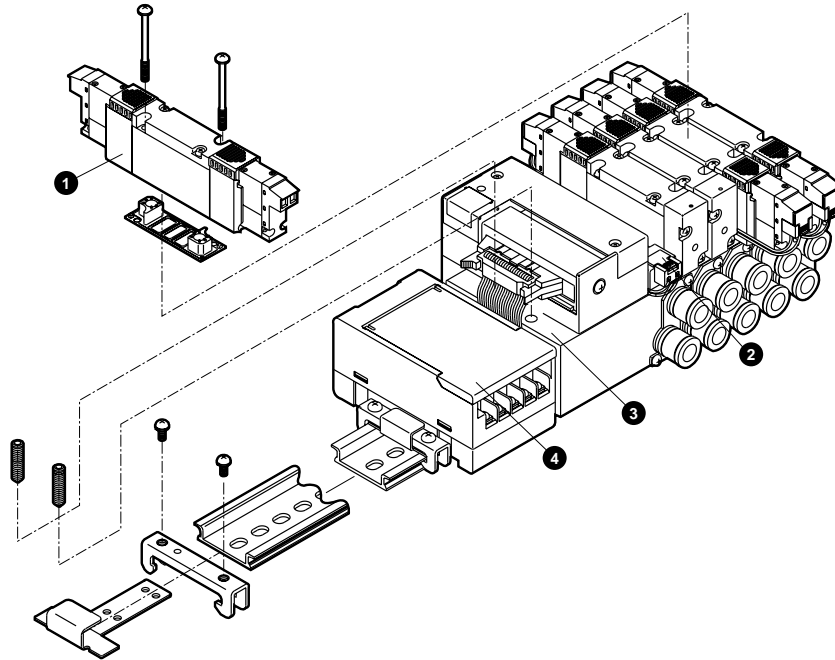
PCD/ FS/FD

3, 5 port pilot operated valve
Reduced wiring manifold

M4GB1/2/3-T6D Series

Reduced wiring manifold: Sub base porting: Serial transmission

Explanation of manifold components and parts list



Main components list

No.	Components name	Model No.	Description	Remarks
1	Discrete valve for base installation	4GB * * 9-00-A2N [Option]-[Voltage] [Solenoid position] [Flow rate]	Discrete valve Gasket Set screw 2 PR check valve 2	Details Page 219
2	Masking plate	4G1 4G1-MP 4G2 4G2-MP 4G3 4G3-MP	Masking plate Gasket Set screw 2 PR check valves 2	
3	Manifold base assembly	M4GB * -[Port size]-[T56] [Option]-[Station #] Flow rate	Manifold base Wiring block	
4	Serial transmission slave unit		OPP3	Consult with CKD.


Repair parts and related part list

No.	Parts name	Model No.	No.	Parts name	Model No.		
-	Coil assembly	4G-A2N- * -COIL-[Voltage] Blank: Standard A: Ozone proof	-	Cartridge type quick connector and related parts	4 dia. straight type 4G1-JOINT-C4		
		6 dia. straight type 4G1-JOINT-C6					
		4 dia. radial 4G1-JOINT-CL4, CLL4					
		6 dia. radial 4G1-JOINT-CL6, CLL6					
		Plug cartridge 4G1-JOINT-CPG					
		4 dia. straight type 4G2-JOINT-C4					
		6 dia. straight type 4G2-JOINT-C6					
		8 dia. straight type 4G2-JOINT-C8					
		6 dia. radial 4G2-JOINT-CL6, CLL6					
		8 dia. radial 4G2-JOINT-CL8, CLL8					
		Plug cartridge 4G2-JOINT-CPG					
		6 dia. straight type 4G3-JOINT-C6					
		8 dia. straight type 4G3-JOINT-C8					
		10 dia. straight type 4G3-JOINT-C10					
		8 dia. radial 4G3-JOINT-CL8, CLL8					
		10 dia. radial 4G3-JOINT-CL10, CLL10					
		Plug cartridge 4G3-JOINT-CPG					
-	A-connector Socket assembly Details Page 353	4G * -SOCKET ASSY A * *- [Manifold No.] Flow rate Blank: Left, R: Right A: ASOL side, b: BSOL side N: Position of valve to be wired					
-	Silencer	For M5 : SLM-M5 For Rc1/8 : SLW-6A, SLW-6S For Rc1/4 : SLW-8A, SLW-8S For Rc3/8 : SLW-10A, SLW-10S					
-	DIN rail kit	Details Page 81					

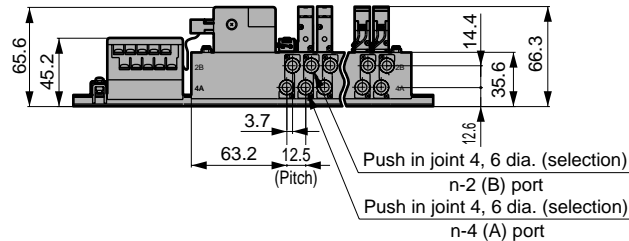
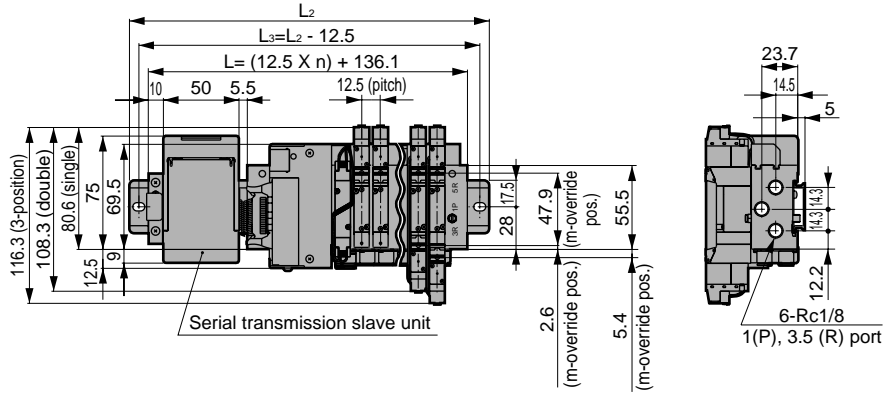
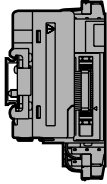
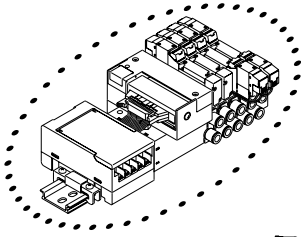
M4GB1-T6D Series

Reduced wiring manifold: Sub base porting: Serial transmission

Dimensions

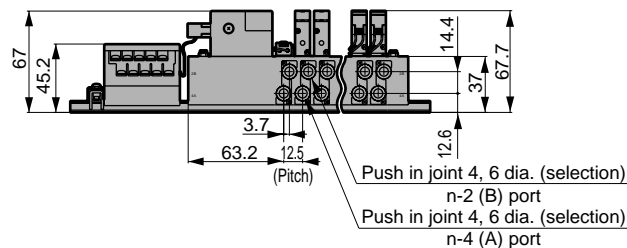
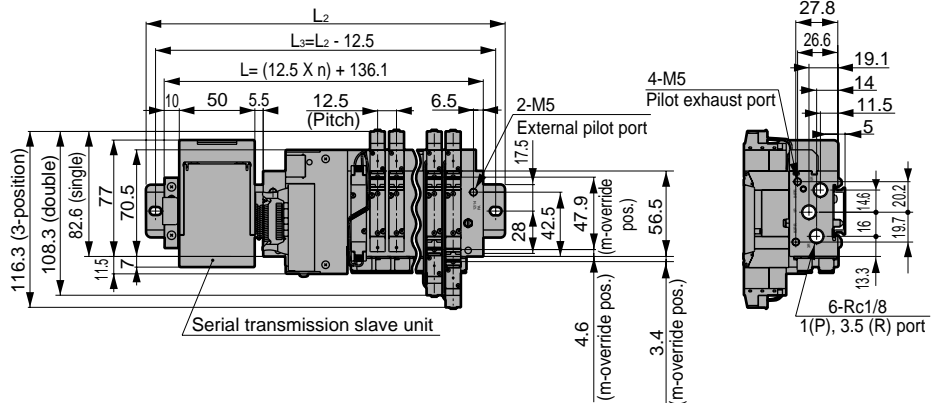
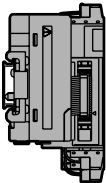
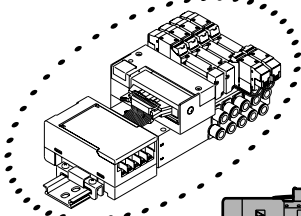
M4GB1  (File name: Page 241 to 242 or Ending 17 to 18)

- Serial transmission (T6 *)
- DIN rail-mounted type (D)



Note: Please refer to Page 215 about CL* push in joint radial type (upward).

- Serial transmission (T6 *)
- DIN rail-mounted type (D): External pilot operated (K)



Station #	2	3	4	5	6	7	8	9	10	11	12	13	14	15	16
L	161.1	173.6	186.1	198.6	211.1	223.6	236.1	248.6	261.1	273.6	286.1	298.6	311.1	323.6	336.1
L ₂	212.5	225.0	237.5	250.0	262.5	275.0	287.5	300.0	312.5	325.0	337.5	350	362.5	375	387.5
L ₃	200.0	212.5	225.0	237.5	250.0	262.5	275.0	287.5	300.0	312.5	325.0	337.5	350	362.5	375

4SA/B0

4SA/B1

4GA/B

MN4GA/B

4GA/B (master)

MN3S0/
MN4S0

4TB

4L2-4/
LMF0

4KA/B

4F

PV5/
CMF

3MA/B0

3PA/B

P/M/B

NP/NAP/
NVP

4F**0E

HMV/
HSV

Uniwire
system

SKH


PCD/
FS/FD

3.5 port pilot operated valve
Reduced wiring manifold

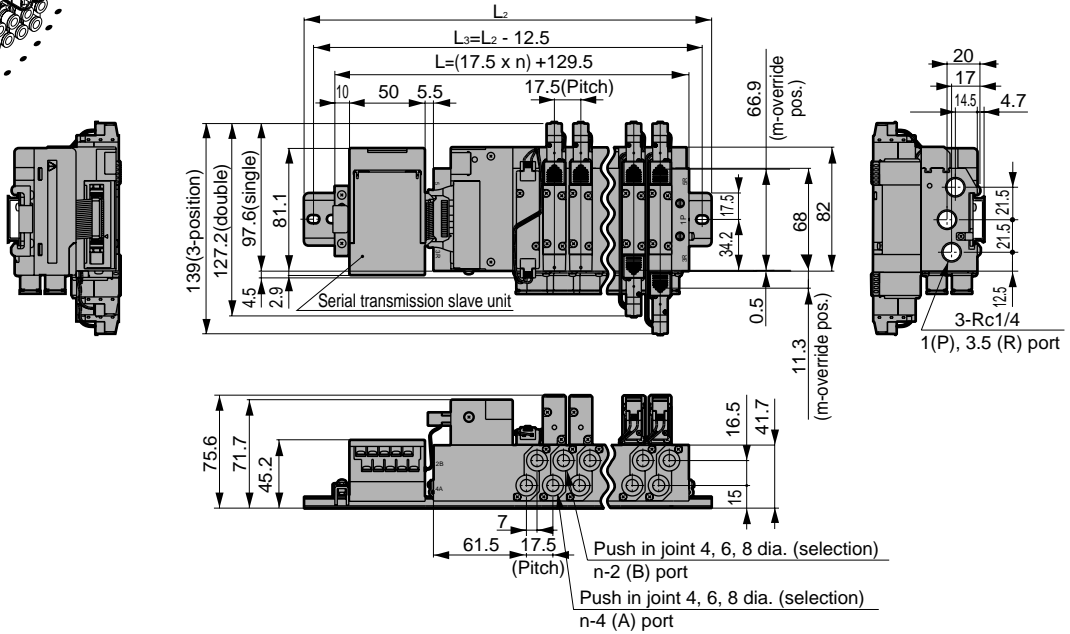
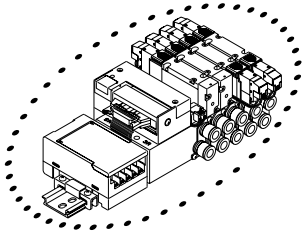
M4GB2-T6D Series

Reduced wiring manifold: Sub base porting: Serial transmission

Dimensions

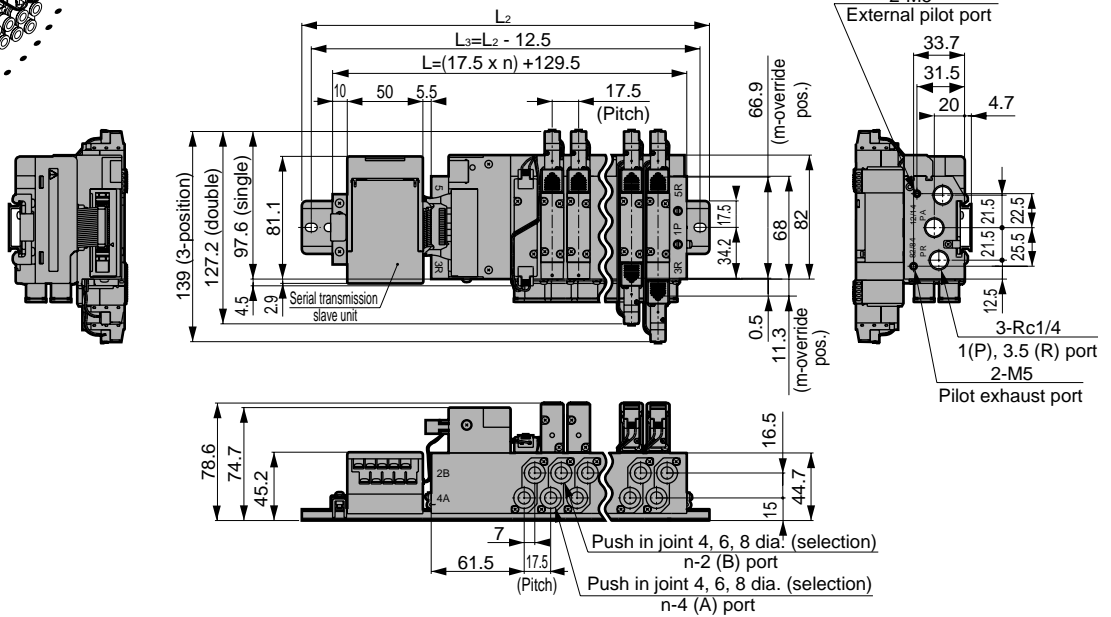
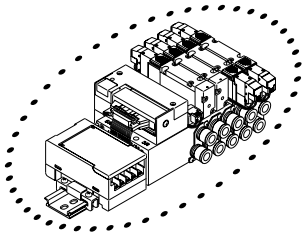
M4GB2  (File name: Page 241 to 242 or Ending 17 to 18)

- Serial transmission (T6 *)
- DIN rail-mounted type (D)




- Serial transmission (T6 *)
- DIN rail-mounted type (D): External pilot operated (K)

Note: Please refer to Page 215 about CL* push in joint radial type (upward).

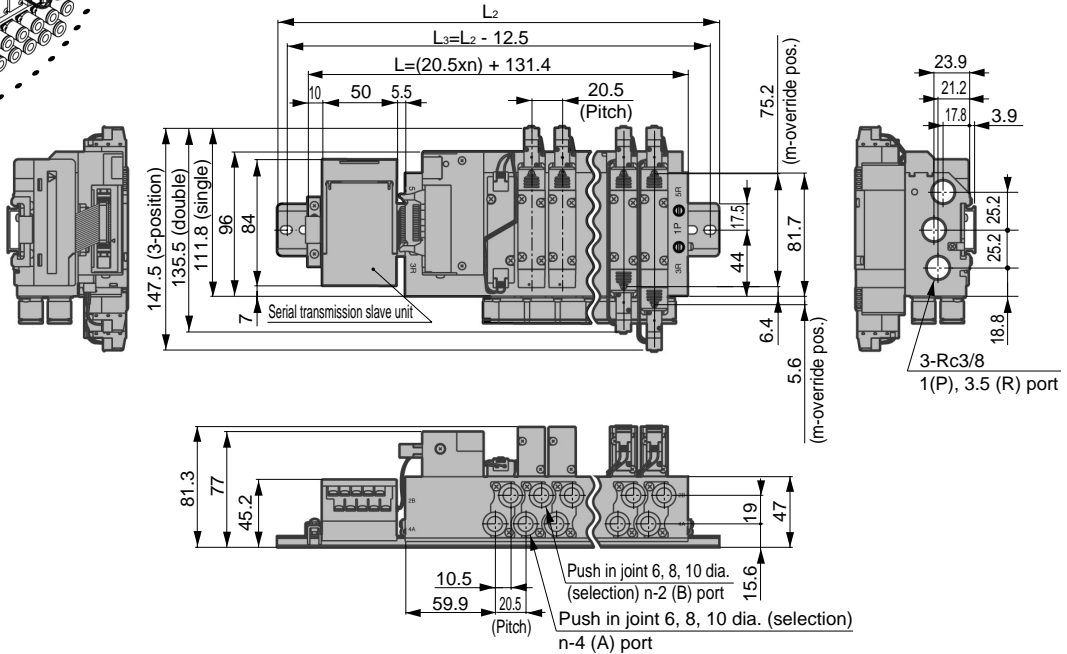
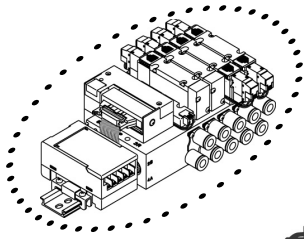


Station #	2	3	4	5	6	7	8	9	10	11	12	13	14	15	16
L	164.5	182.0	199.5	217.0	234.5	252.0	269.5	287.0	304.5	322.0	339.5	357.0	374.5	392.0	409.5
L ₂	212.5	225.0	250.0	262.5	275.0	300.0	312.5	337.5	350.0	362.5	387.5	400.0	425.0	437.5	450.0
L ₃	200.0	212.5	237.5	250.0	262.5	287.5	300.0	325.0	337.5	350.0	375.0	387.5	412.5	425.0	437.5

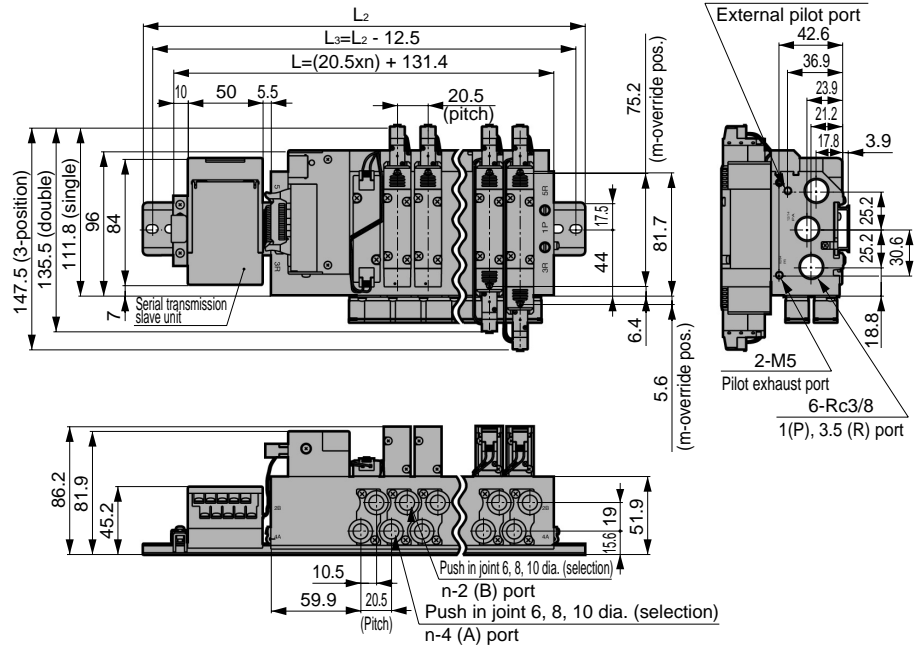
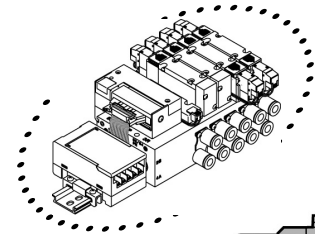
Dimensions

M4GB3  (File name: Page 241 to 242 or Ending 17 to 18)

- Serial transmission (T6 *)
- DIN rail-mounted type (D)



- Serial transmission (T6 *)
- DIN rail-mounted type (D): External pilot operated (K)



Note: Please refer to Page 215 about CL* push in joint radial type (upward).

Station #	2	3	4	5	6	7	8	9	10	11	12	13	14	15	16
L	172.4	192.9	213.4	233.9	254.4	274.9	295.4	315.9	336.4	356.9	377.4	397.9	418.4	438.9	459.4
L ₂	212.5	237.5	262.5	275.0	300.0	325.0	337.5	362.5	387.5	400.0	425.0	450.0	462.5	487.5	500.0
L ₃	200.0	225.0	250.0	262.5	287.5	312.5	325.0	350.0	375.0	387.5	412.5	437.5	450.0	475.0	487.5

4SA/B0

4SA/B1

4GA/B

MN4GA/B

4GA/B (master)

MN3S0/ MN4S0

4TB

4L2-4/ LMF0

4KA/B

4F

PV5/ CMF

3MA/B0

3PA/B

P/M/B

NP/NAP/ NVP

4F**0E

HMV/ HSV

Uniwire system

SKH

PCD/ FS/FD

3.5 port pilot operated valve
Reduced wiring manifold

M4GA/M4GB Series

Related products

- Air supply spacer

How to order

Air supply spacer model No.

4G 2 - P - GWS6 A

A Air supply spacer model

B Port size
Note 1

C Set screw

		Valve model			
		4GA2	4GB2	4GA3	4GB3
Symbol	Descriptions				
A Air supply spacer model					
2	4G2	●			
3	4G3			●	
B Port size					
Blank	Rc screw	①	②		
GWS6	6 mm dia. joint	●			
GWS8	8 mm dia. joint	●	●		
GWS10	10 mm dia. joint			●	
C Set screw					
Blank		●		●	
A	4GA3 Port A/B: Rc1/4 screws			●	Note 3

Symbol	Descriptions	4GA2	4GB2	4GA3	4GB3
A Air supply spacer model					
2	4G2	●			
3	4G3			●	
B Port size					
Blank	Rc screw	①	②		
GWS6	6 mm dia. joint	●			
GWS8	8 mm dia. joint	●	●		
GWS10	10 mm dia. joint			●	
C Set screw					
Blank		●		●	
A	4GA3 Port A/B: Rc1/4 screws			●	Note 3

is not available.

Attached: Set screw 2 pcs. (Note 2), PR check valve 2 pcs., body gasket 1pc.

⚠ Cautions for model selection

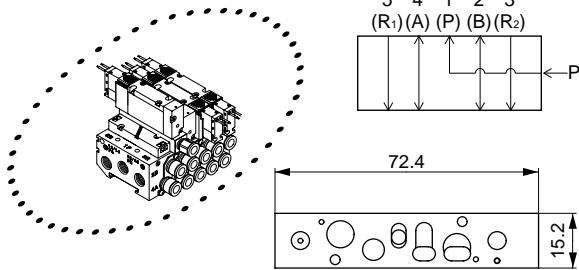
Note 1. When blank, (1)Rc1/8 (2)Rc1/4"

Note 2, Note 3

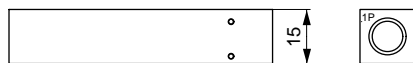
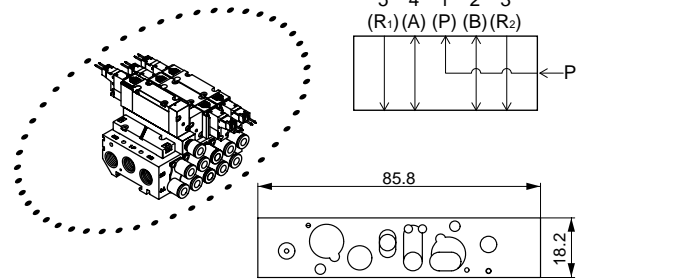
Only using 4GA3 ** -08 for sub base installation, please indicate "A".

(Different length of valve set screw).

• 4G2

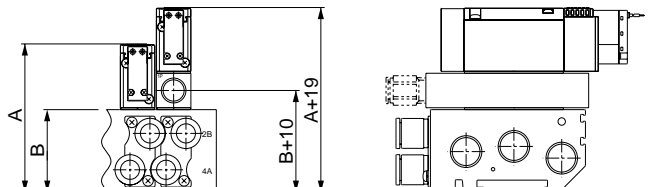
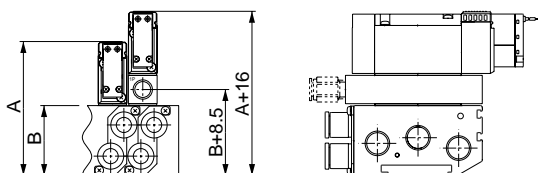


• 4G3



Dimensions for installation

Dimensions for installation

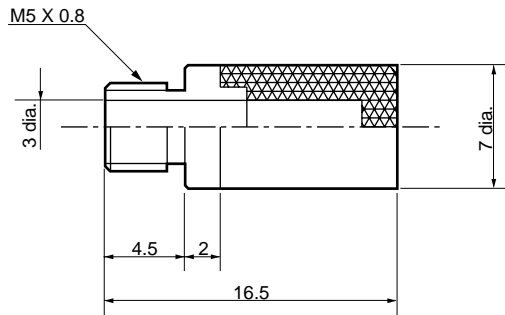


• For A, B dimensions, confirm dimensions according to specifications.

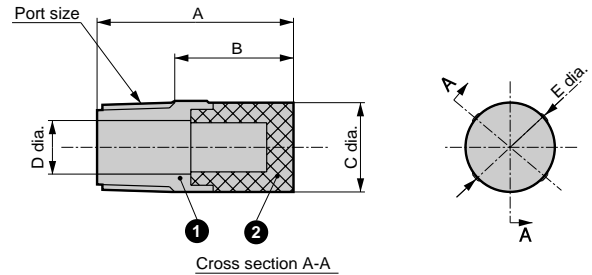
Related products

• Silencer

• SLM-M5

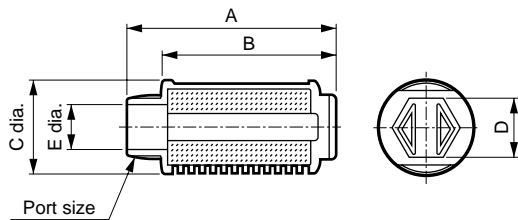


• SLW-6S, 8S



Model No.	Port size	A	B	C	D	E
SLW-6S	R1/8	22	13.3	10.5	6	10.5
SLW-8S	R1/4	28	19	14.8	9	15.4

• SLW-6A, 8A, 10A, 10L

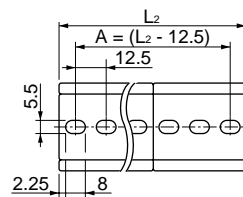


Symbol	Damping effect dB(A)	Ef. sect. area mm ²	A	B	C	D	E	Port size
Model No.								A
SLW-6A	30 over	10	34.5	28	16.5	10	7	R1/8
SLW-8A	30 over	20	44.5	36	20	13	8.5	R1/4
SLW-10A	30 over	30	58.5	48.5	25.5	17	12	R3/8
SLW-10L	30 over	60	69	59	28	19	12	R3/8

• Plugs

Part name	Model No.	Appearance
Blanking plug	GWP-4B	
	GWP-6B	
	GWP-8B	
	GWP-10B	
Screw plug	4G1-M5P	 (FPL-M5)
	4G2-06P	
	4G3-08P	Plug with hexagon head hole

• DIN rail



L1: Manifold length	L2: Rail length	A: Mounting pitch
110 or less	150	137.5
110 over and 122.5 or less	162.5	150
122.5	175	162.5
135	187.5	175
147.5	200	187.5
160	212.5	200
172.5	225	212.5
185	237.5	225
197.5	250	237.5
210	262.5	250
222.5	275	262.5
235	287.5	275
247.5	300	287.5
260	312.5	300
272.5	325	312.5
285	337.5	325
297.5	350	337.5
310	362.5	350
322.5	375	362.5
335	387.5	375
347.5	400	387.5
360	412.5	400
372.5	425	412.5
385	437.5	425
397.5	450	437.5
410	462.5	450
422.5	475	462.5
435	487.5	475
447.5	500	487.5
460	512.5	500
472.5	525	512.5
485	537.5	525
497.5	550	537.5

When more than 510, round the value with multiple of 12.5.

4SA/B0

4SA/B1

4GA/B

MN4GA/B

4GA/B (master)

MN3S0/ MN4S0

4TB

4L2-4/ LMF0

4KA/B

4F

PV5/ CMF

3MA/B0

3PA/B

P/M/B

NP/NAP/ NVP

4F**0E

HMV/ HSV

Uniwire system

SKH

PCD/ FS/FD

3, 5 port pilot operated valve
Reduced wiring manifold

M4GA/M4GB Series

Manifold specification sheet

How to fill out block manifold metal base M4G series manifold specification sheet

• Manifold model No. (example)

Cautions for mix joint CX

Indicate port size "CX" to select mix joint of Port A/B.

M 4 G^A_B 1 8 0 - CX - T30 - 9 - 3

Solenoid valve type Solenoid position Port size Electric connection Terminal connector pin array Station # Voltage

Available cartridge joint	
4G1	C4, C6, X (plug)
4G2	C4, C6, C8, X (plug)
4G3	C6, C8, C10, X (plug)

How to use sub base porting type M4GB* 10 as 3 port valve

Installing plug cartridge onto either side of Port A/B, the valve can be used as NO/NC type.

Indicate "X" in joint CX column.

Switchover method	Plug installation port
NC (Normally closed)	B
NO (Normally open)	A

When female thread specifications, indicate required plug quantity on the end of column of "screw plug".
Female thread and cartridge joint cannot be used together in the same manifold.

About elbow type specifications

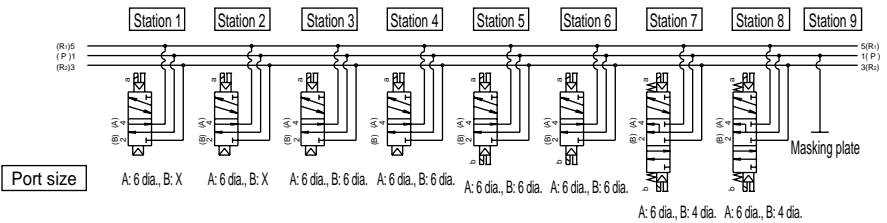
- Only for single solenoid manifold.
Port A: Long elbow, Port B: Short elbow.
- When elbow type specifications, Port A/B sizes are same.
When either Port A or B is "X" plugged, the other side is short elbow.

Cautions for reserved wire

- (1) For T30/T50/T51 type, preparing to change single to double solenoid, reserved wire is provided. Consult with CKD.
Indicate expansion position (changing single to double sol).
Circle on wiring specifications column as reservation mark, and identify a or b sol side.
- (2) For masking plate, reserved wire is provided. (Refer to Page 352)
Number of reserved wire is automatically selected when selecting masking plate.
4G * -MP (S): 1 piece
4G * -MP (D): 2 pieces

Solenoid valve model No.	Joint CX		Installation location																								Usage	
	A	B	1	2	3	4	5	6	7	8	9	10	11	12	13	14	15	16	17	18	19	20	21	22	23	24		
4G B 1 1 9 - CX	C6	X	○	○																								2
4G B 1 1 9 - C6					○	○																						2
4G B 1 2 9 - C6							○	○																				2
4G B 1 5 9 - CX	C6	C4							○	○																		2
4G 1 1 9 -																												
3GA1 1 9 -																												
Masking plate 4G1-MP(S)																												1
Masking plate 4G1-MP(D)																												
Mounting rail	L ₂ =	Accessories	Blanking plug GWP4-B		Blanking plug GWP6-B		Screw plug 4G1-M5P		Silencer SLW-6S		Silencer SLW-6A																	

References circuit diagram Simple circuit diagram of manifold model No. mentioned above. (example)



• Station No., viewed from piping port, is allocated from left.

• Wiring specifications (Not required when standard wire. To be indicated when wiring order or extension cable designation.)

Connector pin No.	T50/T50R/T6*	Installation location																
		1	2	3	4	5	6	7	8	9	10	11	12	13	14	15	16	17
1	1	a																
2	14		a															
3	3			a														
4	15				b													
5	4					a												
6	5						b											
7	16							a										
8	6								b									
9	7									a								
10	17										b							
11	8											a						
12	9												b					
13	10													a				
14	18														b			
15	11															a		
16	19																b	
17	12																	a
18	13																	
19	20																	
20	14																	
21	15																	
22	16																	
23	17																	
24	18																	
25	19																	
13 (COM)	20																	

• For wiring method T50 type, polarity of COM is + (plus).
• When wiring method T50, connector pin No.9, 10, 19, 20 are not available because of using external input power supply.

Individual wiring

M4G^{A/B}1 manifold specifications sheet

Issue / /

Your company name _____

• Contact • Quantity Set • Request date / /

Slip No.	Order No.
----------	-----------

Contact	4SA/B0
Order No.	4SA/B1

• Manifold model No.

M G^{A/B}1 0- - - -

Solenoid valve type Solenoid position Port size Electric connection Other options Mount type Station # Voltage

- 4GA/B
- MN4GA/B
- 4GA/B (master)
- MN3S0/
MN4S0
- 4TB
- 4L2-4/
LMF0
- 4KA/B
- 4F
- PV5/
CMF
- 3MA/B0
- 3PA/B
- P/M/B
- NP/NAP/
NVP
- 4F**0E
- HMV/
HSV
- Uniwire
system
- SKH
- PCD/
FS/FD

3, 5 port pilot operated valve
Individual wiring manifold

Solenoid valve model No.	Joint CX		Valve installation location																								Usage						
	A	B	1	2	3	4	5	6	7	8	9	10	11	12	13	14	15	16	17	18	19	20	21	22	23	24							
4G 1 9																																	
4G 1 9																																	
4G 1 9																																	
4G 1 9																																	
3GA1 9																																	
3GA1 9																																	
Masking plate 4G1-MP-																																	
Mounting rail L ₂ =	Acces- sories	Blanking plug		Blanking plug				Screw plug				Silencer				Silencer																	
		GWP4-B		GWP6-B				4G1-M5P				SLW-6S				SLW-6A																	

M4GA2/M4GB2 Series

Manifold specification sheet

Individual wiring

M4G^A_B 2 manifold specification sheets

Issue / / /

Your company name _____

• Contact _____ • Quantity _____ Set _____ • Request date / /

Slip No. _____ Order No. _____

Contact _____

Order No. _____

• Manifold model No.

M G^A_B 2 0- - - -

Solenoid valve type Solenoid position Port size Electric connection Other options Mount type Station # Voltage

Solenoid valve model No.	Joint CX		Valve installation location																								Usage	
	A	B	1	2	3	4	5	6	7	8	9	10	11	12	13	14	15	16	17	18	19	20	21	22	23	24		
4G	2	9																										
4G	2	9																										
4G	2	9																										
4G	2	9																										
4G	2	9																										
3GA2	9																											
3GA2	9																											
Masking plate 4G2-MP-																												
Air supply spacer 4G2-P-																												
Air supply spacer 4G2-P-																												
Mounting rail	L ₂ =	Accessories	Blanking plug			Screw plug			Silencer																			
			GWP4-B	GWP6-B	GWP8-B	4G2-06P	SLW-8S	SLW-8A																				

M4GA3/M4GB3 Series

Manifold specification sheet (individual wiring)

Individual wiring

M4G^A_B 3 manifold specification sheets

Issue / / /

Your company name _____

• Contact _____ • Quantity _____ Set _____ • Request date / / _____

Slip No. _____	Order No. _____
----------------	-----------------

Contact _____

4SA/B0

Order No. _____

4SA/B1

•Manifold model No.

M **G^A_B 3** **0-** **-** **-** **-**

Solenoid valve type Solenoid position Port size Electric connection Other options Mount type Station # Voltage

4GA/B

MN4GA/B

Solenoid valve model No.	Joint CX		Valve installation location																								Usage	
	A	B	1	2	3	4	5	6	7	8	9	10	11	12	13	14	15	16	17	18	19	20	21	22	23	24		
4G 3 9																												
4G 3 9																												
4G 3 9																												
4G 3 9																												
3GA3 9																												
3GA3 9																												
Masking plate 4G3-MP-																												
Air supply spacer 4G3-P-																												
Air supply spacer 4G3-P-																												
Mounting rail	L ₂ =	Accessories	Blanking plug						Screw plug						Silencer													
			GWP6-B		GWP8-B		GWP10-B		4G3-08P		SLW-10A		SLW-10L															

4GA/B (master)

MN3S0/
MN4S0

4TB

4L2-4/
LMFO

4KA/B

4F

PV5/
CMF

3MA/B0

3PA/B

P/M/B

NP/NAP/
NVP

4F**0E

HMV/
HSV

Uniwire
system

SKH

PCD/
FS/FD

3, 5 port pilot operated valve
Individual wiring manifold

M4GA1/M4GB1-T1/3 Series

Manifold specification sheet

Reduced wiring

M4G^A_B1-T1/3 manifold specification sheets

Issue / / /

Your company name

Contact

Order No.

• Contact • Quantity Set • Request date / /

Slip No. Order No.

• Manifold model No.

M G^A_B1 0- - - - - - - - -

Solenoid valve type Solenoid position Port size Reduced wiring connection Terminal connector pin array Option Mount type Station # Voltage

Solenoid valve model No.	Joint CX		Valve installation location																								Usage
	A	B	1	2	3	4	5	6	7	8	9	10	11	12	13	14	15	16	17	18	19	20	21	22	23	24	
4G	<input type="text"/>	<input type="text"/>																									
4G	<input type="text"/>	<input type="text"/>																									
4G	<input type="text"/>	<input type="text"/>																									
4G	<input type="text"/>	<input type="text"/>																									
4G	<input type="text"/>	<input type="text"/>																									
3GA1	<input type="text"/>	<input type="text"/>																									
3GA1	<input type="text"/>	<input type="text"/>																									
Masking plate 4G1-MP(S)-	<input type="text"/>	<input type="text"/>																									
Masking plate 4G1-MP(D)-	<input type="text"/>	<input type="text"/>																									
Mounting rail	L2=	<input type="text"/>	Accessories	Blanking plug				Blanking plug				Screw plug				Silencer				Silencer							
				GWP4-B				GWP6-B				4G1-M5P				SLW-6S				SLW-6A							

• Wiring specifications (not required when standard/double wiring, while required when indicating wire sequence or extension cable)

Connector pin No.			Installation location																								
T10/T10R	T11/T11R	T30/T30R	1	2	3	4	5	6	7	8	9	10	11	12	13	14	15	16	17	18	19	20	21	22	23	24	
1	1	1																									
2	2	14																									
3	3	2																									
4	4	15																									
5	5	3																									
6	6	16																									
7	7	4																									
8	8	17																									
9	9	5																									
10	10	18																									
11	11	6																									
12	12	19																									
13	13	7																									
14	14	20																									
COM	15	8																									
COM	16	21																									
	17	9																									
	18	22																									
	19	10																									
	20	23																									
	21	24																									
	22	11																									
	23	12																									
	24	13																									
	COM	25																									
	COM	(COM)																									

M4GA2/M4GB2-T1/3 Series

Manifold specification sheet (reduced wiring)

Reduced wiring

M4G^A_B2-T1/3 manifold specification sheets

Issue / /

Your company name _____

• Contact • Quantity Set • Request date / /

Slip No.	Order No.
----------	-----------

Contact _____

4SA/B0

Order No. _____

4SA/B1

• Manifold model No.

M		G	A	B	2		0-													
Solenoid valve type		Solenoid position				Port size		Reduced wiring connection		Terminal connector pin array		Option		Mount type		Station #		Voltage		

4GA/B

Solenoid valve model No.	Joint CX		Valve installation location																								Usage	
	A	B	1	2	3	4	5	6	7	8	9	10	11	12	13	14	15	16	17	18	19	20	21	22	23	24		
4G	2	9																										
4G	2	9																										
4G	2	9																										
4G	2	9																										
4G	2	9																										
3GA2	9																											
3GA2	9																											
Masking plate 4G2-MP(S)- Masking plate 4G2-MP(D)- Air supply spacer 4G2-P- Air supply spacer 4G2-P-																												
Mounting rail	L ₂ =	Accessories	Blanking plug				Screw plug				Silencer																	
			GWP4-B	GWP6-B	GWP8-B		4G2-06P		SLW-8S	SLW-8A																		

MN4GA/B

4GA/B (master)

MN3S0/
MN4S0

4TB

4L2-4/
LMFO

4KA/B

4F

PV5/
CMF

3MA/B0

3PA/B

P/M/B

• Wiring specifications (not required when standard/double wiring, while required when indicating wire sequence or extension cable)

Connector pin No.			Installation location																								
T10/T10R	T11/T11R	T30/T30R	1	2	3	4	5	6	7	8	9	10	11	12	13	14	15	16	17	18	19	20	21	22	23	24	
1	1	1																									
2	2	14																									
3	3	2																									
4	4	15																									
5	5	3																									
6	6	16																									
7	7	4																									
8	8	17																									
9	9	5																									
10	10	18																									
11	11	6																									
12	12	19																									
13	13	7																									
14	14	20																									
COM	15	8																									
COM	16	21																									
	17	9																									
	18	22																									
	19	10																									
	20	23																									
	21	11																									
	22	24																									
	23	12																									
	24	25																									
	COM	(COM)																									
	COM																										

3, 5 port pilot operated valve
Reduced wiring manifold

M4GA3/M4GB3-T1/3 Series

Manifold specification sheet

Reduced wiring

M4GA_B3-T1/3 manifold specification sheets

Issue / /

Your company name

Contact

Order No.

• Contact • Quantity Set • Request date / /

Slip No.	Order No.
----------	-----------

• Manifold model No.

M G_A_B3 0- - - -

Solenoid valve type Solenoid position Port size Reduced wiring connection Terminal connector pin array Option Mount type Station # Voltage

Solenoid valve model No.	Joint CX		Valve installation location																								Usage									
	A	B	1	2	3	4	5	6	7	8	9	10	11	12	13	14	15	16	17	18	19	20	21	22	23	24										
4G _B 3	3	9																																		
4G _B 3	3	9																																		
4G _B 3	3	9																																		
4G _B 3	3	9																																		
4G _B 3	3	9																																		
3GA3	9																																			
3GA3	9																																			
Masking plate 4G3-MP(S)-																																				
Masking plate 4G3-MP(D)-																																				
Air supply spacer 4G3-P-																																				
Air supply spacer 4G3-P-																																				
Mounting rail	L ₂ =	Accessories	Blanking plug						Screw plug				Silencer																							
			GWP6-B	GWP8-B	GWP10-B	4G3-08P	SLW-10A	SLW-10L																												

• Wiring specifications (not required when STD/double wiring, while required when indicating wire sequence or extension cable)

Connector pin No.			Installation location																																		
T10/T10R	T11/T11R	T30/T30R	1	2	3	4	5	6	7	8	9	10	11	12	13	14	15	16	17	18	19	20	21	22	23	24											
1	1	1																																			
2	2	14																																			
3	3	2																																			
4	4	15																																			
5	5	3																																			
6	6	16																																			
7	7	4																																			
8	8	17																																			
9	9	5																																			
10	10	18																																			
11	11	6																																			
12	12	19																																			
13	13	7																																			
14	14	20																																			
COM	15	8																																			
COM	16	21																																			
	17	9																																			
	18	22																																			
	19	10																																			
	20	23																																			
	21	11																																			
	22	24																																			
	23	12																																			
	24	13 (COM)																																			
	COM	25																																			
	COM	13 (COM)																																			

M4GA1/M4GB1-T5 Series

Manifold specification sheet (reduced wiring)

Reduced wiring

M4G^A_B1-T5 manifold specification sheet

Issue / /

Your company name

•Contact •Quantity Set •Request date / /

Slip No. Order No.

Contact Order No.

4SA/B0

4SA/B1

•Manifold model No.

M G^A_B1 0- - - - -

Solenoid valve type Solenoid position Port size Reduced wiring connection Terminal connector pin array Option Mount type Station # Voltage

4GA/B

Solenoid valve model No.	Joint CX		Valve installation location																								Usage	
	A	B	1	2	3	4	5	6	7	8	9	10	11	12	13	14	15	16	17	18	19	20	21	22	23	24		
4G1 9																												
4G1 9																												
4G1 9																												
4G1 9																												
3GA1 9																												
3GA1 9																												
Masking plate 4G1-MP(S)-																												
Masking plate 4G1-MP(D)-																												
Mounting rail	L ₂ =	Accessories	Blanking plug GWP4-B				Blanking plug GWP6-B				Screw plug 4G1-M5P				Silencer SLW-6S				Silencer SLW-6A									

MN4GA/B

4GA/B (master)

MN3S0/
MN4S0

4TB

4L2-4/
LMF0

4KA/B

4F

PV5/
CMF

3MA/B0

3PA/B

P/M/B

NP/NAP/
NVP

4F**0E

HMV/
HSV

Uniwire
system

SKH

PCD/
FS/FD

3, 5 port pilot operated valve
Reduced wiring manifold

• Wiring specifications (not required when standard/double wiring, while required when indicating wire sequence or extension cable)

Connector pin No.				Installation location																							
T50/T50R	T51/T51R	T52/T52R	T53/T53R	1	2	3	4	5	6	7	8	9	10	11	12	13	14	15	16	17	18	19	20	21	22	23	24
1	1	1	1																								
2	2	2	2																								
3	3	3	3																								
4	4	4	4																								
5	5	5	5																								
6	6	6	6																								
7	7	7	7																								
8	8	8	8																								
9 - Power supply	9	9	COM	9																							
10 + (COM) power supply	10	10	COM	10																							
11	11		11																								
12	12		12																								
13	13		13																								
14	14		14																								
15	15		15																								
16	16		16																								
17	17		17																								
18	18		18																								
19 - Power supply	19	COM	19																								
20 + (COM) power supply	20	COM	20																								
			21																								
			22																								
			23																								
			24																								
			25	COM																							
			26	COM																							

• : When wiring method T50 type, polarity of COM is + (plus).
 • : When wiring method T50, since connector pin No. 9, 10, 19, 20 are used for external input power supply, they are not available.

M4GA2/M4GB2-T5 Series

Manifold specification sheet

Reduced wiring

M4G^A/_B2-T5 manifold specification sheet

Issue / / /

Your company name

Contact

Order No.

• Contact • Quantity Set • Request date / /

Slip No.	Order No.
----------	-----------

• Manifold model No.

M G^A/_B2 0- - - - - - -

Solenoid valve type Solenoid position Port size Reduced wiring connection Terminal connector pin array Option Mount type Station # Voltage

Solenoid valve model No.	Joint CX		Valve installation location																								Usage	
	A	B	1	2	3	4	5	6	7	8	9	10	11	12	13	14	15	16	17	18	19	20	21	22	23	24		
4G 2 9- 																												
4G 2 9- 																												
4G 2 9- 																												
4G 2 9- 																												
4G 2 9- 																												
3GA2 9- 																												
3GA2 9- 																												
Masking plate 4G2-MP(S)- 																												
Masking plate 4G2-MP(D)- 																												
Air supply spacer 4G2-P- 																												
Air supply spacer 4G2-P- 																												
Mounting rail	L ₂ = 	Accessories	Blanking plug			Screw plug		Silencer																				
			GWP4-B	GWP6-B	GWP8-B	4G2-06P	SLW-8S	SLW-8A																				

• Wiring specifications (not required when STD wiring, while required when indicating wire sequence or extension cable)

Connector pin No.				Installation location																							
T50/T50R	T51/T51R	T52/T52R	T53/T53R	1	2	3	4	5	6	7	8	9	10	11	12	13	14	15	16	17	18	19	20	21	22	23	24
1	1	1	1																								
2	2	2	2																								
3	3	3	3																								
4	4	4	4																								
5	5	5	5																								
6	6	6	6																								
7	7	7	7																								
8	8	8	8																								
9 - Power supply	9	9	COM	9																							
10 + (COM) power supply	10	10	COM	10																							
11	11		11																								
12	12		12																								
13	13		13																								
14	14		14																								
15	15		15																								
16	16		16																								
17	17		17																								
18	18		18																								
19 - Power supply	19	COM	19																								
20 + (COM) power supply	20	COM	20																								
			21																								
			22																								
			23																								
			24																								
			25	COM																							
			26	COM																							

234 • : When wiring method T50 type, polarity of COM is + (plus).
• : When wiring method T50, since connector pin No. 9, 10, 19, 20 are used for external input power supply, they are not available.

M4GA3/M4GB3-T5 Series

Manifold specification sheet (reduced wiring)

Reduced wiring

M4G^{A/B}3-T5 manifold specification sheet

Issue / /

Your company name

• Contact • Quantity Set • Request date / /

Slip No. Order No.

Contact

4SA/B0

Order No.

4SA/B1

• Manifold model No.

M **G**^{A/B} **3**- **0**- - -

Solenoid valve type
Solenoid position
Port size
Reduced wiring connection
Terminal connector pin array
Option
Mount type
Station #
Voltage

4GA/B

Solenoid valve model No.	Joint CX		Valve installation location																								Usage
	A	B	1	2	3	4	5	6	7	8	9	10	11	12	13	14	15	16	17	18	19	20	21	22	23	24	
	4G ^{A/B} 3 9																										
4G ^{A/B} 3 9																											
4G ^{A/B} 3 9																											
4G ^{A/B} 3 9																											
4G ^{A/B} 3 9																											
3GA3 9																											
3GA3 9																											
Masking plate 4G3-MP(S)-																											
Masking plate 4G3-MP(D)-																											
Air supply spacer 4G3-P-																											
Air supply spacer 4G3-P-																											

Mounting rail

Accessories

Blanking plug

Screw plug

Silencer

MN4GA/B

4GA/B (master)

MN3S0/MN4S0

4TB

4L2-4/LMFO

4KA/B

4F

PV5/CMF

3MA/B0

3PA/B

P/M/B

• Wiring specifications (not required when standard/double wiring, while required when indicating wire sequence or extension cable)

NP/NAP/NVP

Connector pin No				Installation location																							
T50/T50R	T51/T51R	T52/T52R	T53/T53R	1	2	3	4	5	6	7	8	9	10	11	12	13	14	15	16	17	18	19	20	21	22	23	24
1	1	1	1																								
2	2	2	2																								
3	3	3	3																								
4	4	4	4																								
5	5	5	5																								
6	6	6	6																								
7	7	7	7																								
8	8	8	8																								
9 - Power supply	9	9	COM																								
10 + (COM) power supply	10	10	COM																								
11	11		11																								
12	12		12																								
13	13		13																								
14	14		14																								
15	15		15																								
16	16		16																								
17	17		17																								
18	18		18																								
19 - Power supply	19	COM	19																								
20 + (COM) power supply	20	COM	20																								
			21																								
			22																								
			23																								
			24																								
			25	COM																							
			26	COM																							

4F**0E

HMV/HSV

Uniwire system

SKH

PCD/FS/FD

3, 5 port pilot operated valve

Reduced wiring manifold

• : When wiring method T50, polarity of COM is + (plus).
• : When wiring method T50, since connector pin No. 9, 10, 19, 20 are used for external input power supply, they are not available.

M4GA1/M4GB1-T6D Series

Manifold specification sheet

Serial transmission/DIN rail mount type

M4G^A_B1-T6D manifold specification sheet

Issue / /

Your company name

• Contact • Quantity Set • Request date / /

Slip No. Order No.

Contact

Order No.

• Manifold model No.

M G^A_B1 0- - D- - 3

Solenoid valve type Solenoid position Port size Serial transmission Terminal/connector pin array Option Station # Voltage

Solenoid valve model No.	Joint CX		Valve installation location																Usage
	A	B	1	2	3	4	5	6	7	8	9	10	11	12	13	14	15	16	
4G: <input type="text"/> 1 <input type="text"/> 9: <input type="text"/>																			
4G: <input type="text"/> 1 <input type="text"/> 9: <input type="text"/>																			
4G: <input type="text"/> 1 <input type="text"/> 9: <input type="text"/>																			
4G: <input type="text"/> 1 <input type="text"/> 9: <input type="text"/>																			
4G: <input type="text"/> 1 <input type="text"/> 9: <input type="text"/>																			
3GA1 <input type="text"/> 9: <input type="text"/>																			
3GA1 <input type="text"/> 9: <input type="text"/>																			
Masking plate 4G1-MP(S)-																			
Masking plate 4G1-MP(D)-																			
Mounting rail	L ₂ = <input type="text"/>	Accessories	Blanking plug				Blanking plug				Screw plug				Silencer		Silencer		
			GWP4-B				GWP6-B				4G1-M5P				SLW-6S		SLW-6A		

• Wiring specifications (not required when STD/double wiring, while required when indicating wire sequence or extension cable)

Connector pin No.	Installation location																
	T6 *	1	2	3	4	5	6	7	8	9	10	11	12	13	14	15	16
T621: OMRON SYSBUS	1																
	2																
	3																
T631: MITSUBISHI (MELSEC NET)	4																
	5																
T6A0: UNIWIRESYSTEM 8 points	6																
	7																
T6A1: UNIWIRESYSTEM 16 points	8																
	9 - power supply																
T6C0: OMRON CompoBus/S8 point	10 + (COM) power supply																
	11																
T6C1: OMRON CompoBus/S16 point	12																
T6G1: MITSUBISHI (CC-Link)	13																
T6E0: SUNX S-LINK 8 points	14																
	15																
T6E1: SUNX S-LINK 16 points	16																
	17																
T6J0: Uniwire Hsystem 8 points	18																
	19 - power supply																
T6J1: Uniwire Hsystem 16 points	20 + (COM) power supply																

M4GA2/M4GB2-T6D Series

Manifold specification sheet (serial transmission)

Serial transmission/DIN rail mount type

M4G^A_B 2-T6D manifold specification sheet

Issue / /

Your company name

• Contact •Quantity Set • Request date / /

Slip No. Order No.

Contact

Order No.

4SA/B0

4SA/B1

• Manifold model No.

M G^A_B2 0- - D- - 3

Solenoid valve type Solenoid position Port size Serial transmission Terminal/connector pin array Option Station # Voltage

4GA/B

MN4GA/B

Solenoid valve model No.	Joint CX		Valve installation location																Usage
	A	B	1	2	3	4	5	6	7	8	9	10	11	12	13	14	15	16	
4G <input type="text"/> 2 <input type="text"/> 9 <input type="text"/>																			
4G <input type="text"/> 2 <input type="text"/> 9 <input type="text"/>																			
4G <input type="text"/> 2 <input type="text"/> 9 <input type="text"/>																			
4G <input type="text"/> 2 <input type="text"/> 9 <input type="text"/>																			
3GA2 <input type="text"/> 9 <input type="text"/>																			
3GA2 <input type="text"/> 9 <input type="text"/>																			
Masking plate4 G2-MP(S)-																			
Masking plate 4G2-MP(D)-																			
Air supply spacer 4G2-P-																			
Air supply spacer 4G2-P-																			
Mounting rail L ₂ = <input type="text"/>	Accessories	Blanking plug					Screw plug				Silencer								
		GWP4-B	GWP6-B			GWP8-B			4G2-06P		SLW-8S		SLW-8A						

4GA/B (master)

MN3S0/
MN4S0

4TB

4L2-4/
LMFO

4KA/B

4F

PV5/
CMF

3MA/B0

3PA/B

P/M/B

NP/NAP/
NVP

4F**0E

HMV/
HSV

Uniwire
system

SKH

PCD/
FS/FD

3, 5 port pilot operated valve
Reduced wiring manifold

• Wiring specifications (not required when STD/double wiring, while required when indicating wire sequence or extension cable)

Connector pin No.		Installation location															
T6 *		1	2	3	4	5	6	7	8	9	10	11	12	13	14	15	16
T621: OMRON SYSBUS	1																
	2																
	3																
T631: MITSUBISHI (MELSEC NET)	4																
T6A0: UNIWIRE SYSTEM 8 points	5																
	6																
T6A1: UNIWIRE SYSTEM 16 points	7																
T6C0: OMRON CompoBus/S8 point	8																
	9 - power supply																
T6C1: OMRON CompoBus/S16 point	10 + (COM) power supply																
	11																
T6G1: MITSUBISHI (CC-Link)	12																
T6E0: SUNX S-LINK 8 points	13																
T6E1: SUNX S-LINK 16 points	14																
T6J0: Uniwire Hsystem 8 points	15																
T6J1: Uniwire Hsystem 16 points	16																
	17																
T6K1: Keyence KZ-R	18																
	19 - power supply																
	20 + (COM) power supply																

