

How to order

● F.R.L1000 Series



● F.R.L3000, 4000 Series



A Model no.

B Port size

C Port thread type

D Option

E Display unit

F Attachment
Note 1

A Model no.	
V	V
1	3
0	0
0	0
0	0

Symbol	Descriptions		
B Port size			
6	Rc1/8	●	
8	Rc1/4	●	●
10	Rc3/8		●
15	Rc1/2		●
C Port thread type			
Blank	Rc thread	●	●
N	NPT thread	●	●
G	G thread	●	●
D Option			
Blank	Standard flow (left → right)	●	●
X1	IN/OUT reverse flow (right → left)	●	●
E Display unit			
Blank	MPa display, Rc thread	●	●
J1	MPa display, NPT, G thread	●	●
F Attachment (attached)			
Blank	Without attachment	●	●
A6*W	1/8 piping adapter set	●	
A8*W	1/4 piping adapter set	●	●
A10*W	3/8 piping adapter set	●	●
A15*W	1/2 piping adapter set		●
A20*W	3/4 piping adapter set		●
BW	C type bracket	●	●
S	Silencer	●	●
* Adaptor screw type			
Blank	Rc thread	●	●
N	NPT thread	●	●
G	G thread	●	●

⚠ Note on model no. selection

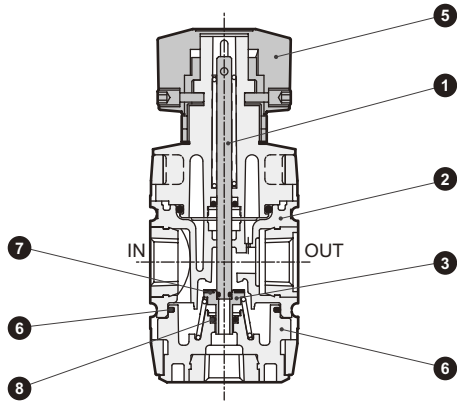
Note 1: Piping adapter set A*00-**-W is attached (refer to page 151).
The piping adapter set and C bracket cannot be used together.

⚠ Select the reverse regulator (R*100-W) or reverse filter regulator (W*100-W) when installing the V*000-W onto the primary side of the regulator or filter regulator.

V*000-W Series

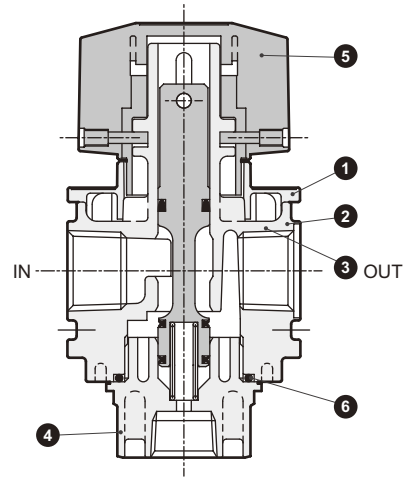
Internal structure and parts list

● V1000-W



No.	Part name	Material
1	Spool	Steel
2	Body assembly	Polyamide resin, steel
3	Valve element	Brass, nitrile rubber
4	Bottom plug	Polyamide resin, steel
5	Knob	Polyacetal resin
6	Packing seal	Nitrile rubber
7	O ring	Nitrile rubber
8	O ring	Nitrile rubber

● V3000-W



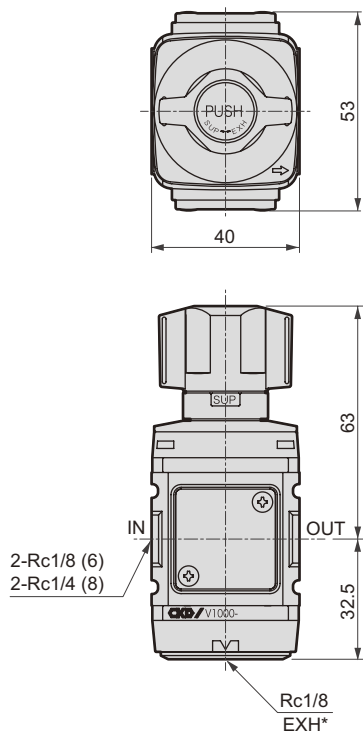
No.	Part name	Material
1	Plate cover	ABS resin
2	Body	Aluminum alloy die-casting
3	Spool assembly	Aluminum alloy urethane rubber resin
4	Bottom plug	PBT resin Note 1
5	Knob	Polyacetal resin
6	O ring	Nitrile rubber

Note 1: The metal bottom plug is used as a custom-order part.

Dimensions

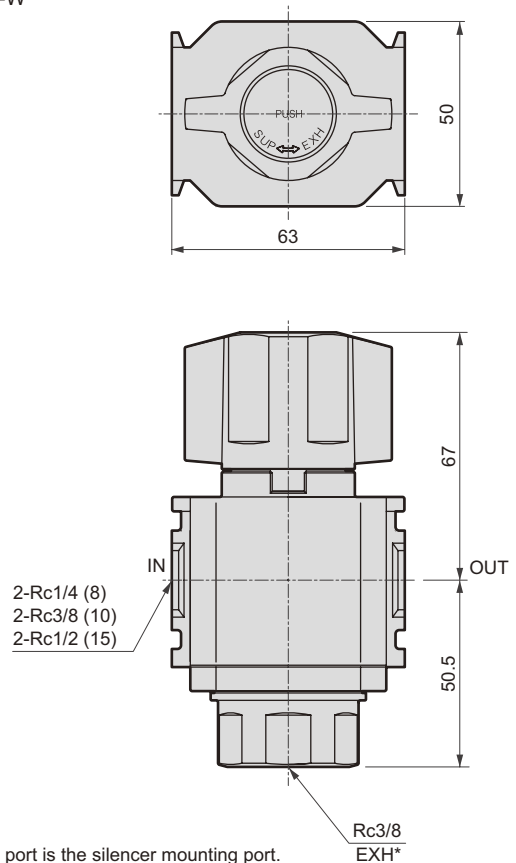


● V1000-W



* The EXH port is the silencer mounting port.

● V3000-W



* The EXH port is the silencer mounting port.